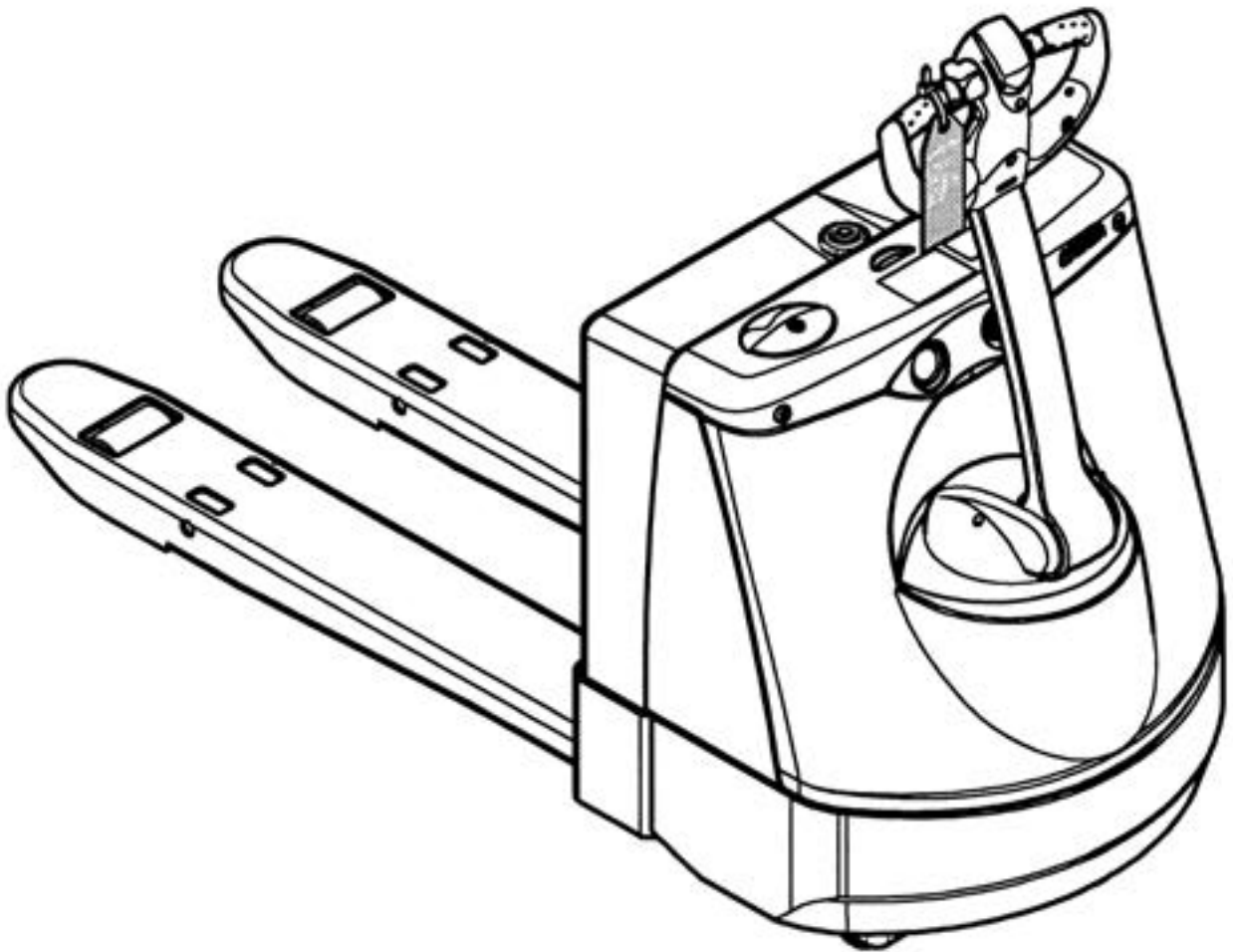


**Replacement Parts**  
**for**  
**Crown WP 2300 Series**



# Truck Data Nomenclature

# Contents

**WP 2 3 45 - 45**

**Capacity**  
45 = 4500 lb. (2040kg)

**Relative Size or Performance**  
30 = 7.8 in. (200mm) battery compartment  
35 = 7.8 in. (200mm) battery compartment with trailer package  
40 = 9.0 in. (230mm) battery compartment  
45 = 9.0 in. (230mm) battery compartment with trailer package

**Series Update**  
Significant change(s) to the product that would not merit a new series number (generation)

**Series**  
Major technical and design changes making the product a new and improved generation

**Image Generator**  
WP - Walkie Pallet

<b>Quick Wheel Lookup</b>	4
---------------------------	---

<b>Electrical</b>	
<a href="#">Battery Tray and Chargers</a>	6
<a href="#">Power Unit</a>	8
<a href="#">Instrument Panel</a>	10

<b>Drive Unit</b>	
<a href="#">Drive Unit</a>	12
<a href="#">Drive Motor, Brakes and Hydraulic</a>	14
<a href="#">Control Handle</a>	16
<a href="#">Control Arm Knuckle</a>	18

<b>Control Handle Cap</b>	20
---------------------------	----

<b>Frame and Undercarriage</b>	22
--------------------------------	----

<b>Caster Assembly</b>	24
------------------------	----

<b>Backrest Hardware &amp; Wear Plate</b>	26
---	----

## Quick Wheel Lookup

## Quick Wheel Lookup

[back to Content page](#)

OEM #	Wheel Type	Description	Wheel OD in/mm	Tread Width in/mm	Hub Width in/mm	Hub ID in/mm	Bearing OD in/mm	Bearing #	Material/Color
CR 813015	Load Wheel	Poly Load Wheel (95-A)	3.250 / 83	4.500 / 114	4.500 / 114	2.125 / 54	1.181 / 30	BS 6006 2RS	Scotch, 95-A
CR 813014	Load Wheel Assembly	Poly Load Wheel Assembly 95-A, includes Bearings	3.250 / 83	4.500 / 114	4.500 / 114	2.125 / 54	1.181 / 30	BS 6006 2RS	Scotch, 95-A
CR 813015-XL	Load Wheel	Poly Load Wheel (97-A)	3.250 / 83	4.500 / 114	4.500 / 114	2.125 / 54	1.181 / 30	BS 6006 2RS	Cream, 97-A
CR 813014-XL	Load Wheel Assembly	Poly Load Wheel Assembly 97-A, includes Bearings	3.250 / 83	4.500 / 114	4.500 / 114	2.125 / 54	1.181 / 30	BS 6006 2RS	Cream, 97-A
GWK-WP2300-LW	Load Wheel Kit	Kit Includes (2) Load Wheels (95-A) w/ Bearing, Axles, String Guards & Fasteners	3.250 / 83	4.500 / 114	4.500 / 114	2.125 / 54	1.181 / 30	BS 6006 2RS	Scotch, 95-A
GWK-WP2300-LW-XL	Load Wheel Kit, Poly 97A	Kit Includes (2) Load Wheels (97-A) w/ Bearing, Axles & Fasteners	3.250 / 83	4.500 / 114	4.500 / 114	2.125 / 54	1.181 / 30	BS 6006 2RS	white, 97-A
CR 127251	Drive Tire	Drive Tire, Rubber, Smooth Flat	10.00 / 254	4.00 / 102	4.00 / 102	6.50 / 165	n/a	n/a	Rubber, Black
CR 127248-001	Drive Tire Assembly	Drive Tire, Rubber, Smooth Flat w/ Hub	10.00 / 254	4.00 / 102	4.00 / 102	6.50 / 165	n/a	n/a	Rubber, Black
CR 75715-010	Drive Tire	Drive Tire, Poly, Smooth Flat	10.00 / 254	4.00 / 102	4.00 / 102	6.50 / 165	n/a	n/a	Poly, Maroon 95-A
CR 127249	Drive Tire Assembly	Drive Tire, Poly, Smooth Flat w/ Hub	10.00 / 254	4.00 / 102	4.00 / 102	6.50 / 165	n/a	n/a	Poly, Maroon 95-A
CR 127250	Hub	Drive Tire Hub	10.00 / 254	4.00 / 102	4.00 / 102	6.50 / 165	n/a	n/a	
CR 813128	Caster Wheel Assembly	Caster Wheel Assembly (95-A) w/ Bearings	3.50 / 89	1.75 / 45	2.00 / 51	1.850 / 47	0.787 / 20	BS 6204 2RS	Scotch, 95-A

**CR 813015**  
Load wheel  
Poly Hy Load (95A)



**CR 813015-XL**  
Load wheel  
Poly Hy Load (97A)



**GWK-WP2300-LW**  
Load wheel kit: 2 Poly Hy Load wheels (95A) w/bearings, axles & fasteners



**CR 127248-001**  
Drive tire assembly, rubber includes hub



**CR 127249**  
Drive tire assembly, Poly includes hub



**CR 813128**  
Caster wheel assembly includes bearings and string guards



**CR 813014**  
Load Wheel assembly Poly 95A includes bearings, washers



**CR 813014-XL**  
Load wheel  
Poly Hy Load (97A)



**GWK-WP2300-LW-XL**  
Load wheel kit: 2 Poly Hy Load wheels (97A) w/bearings, axles & fasteners



**CR 127251**  
Drive tire  
smooth black rubber



**CR 75715-010**  
Drive tire, Poly 95A



**CR 127250**  
Tire hub



## Electrical - Battery Tray and Chargers



## Electrical - Battery Tray and Chargers

[back to Content page](#)

Item	Part No.	Description
1	CR 813144	Charger 120V 60 Hz
2	CR 127537	Charger Cord, AC Jumper
3	CR 808172	Cover Assembly
4	CR 807729	Battery Tray Assembly
5	CR 808278	Battery Tray Assembly, Swing out (not Shown)
6	CR 78723-002	Battery Connector, Gray 175 Amp
7	CR 78724-001	Contact Set (2pc), 175 Amp
8	CR 045239-002	Disconnect Handle, Lower
9	CR 045239-001-03	Disconnect Handle, Upper
10	CR 805814	Spring Paper Clip (not Shown), Battery Cover
11	CR 805845	Housing (not Shown), Battery Cover

## Electrical - Power Unit



## Electrical - Power Unit

[back to Content page](#)

Item	Part No.	Description
1	CR 813096-001-R CR 813096-002-R-C	Controller (Renewed) Core Deposit
2	CR 802820	Contactor, 24V
3	CR 078708-002	Horn
4	CR 805864 CR 808032	Micro Switch (LMS) Micro Switch (LMS) F/C (not Shown)
5	CR 803310	Switch Actuator
6	CR 802816-005	Fuse, 125 Amp (FU1)
7	CR 805824	Fuse Holder

## Electrical - Instrument Panel

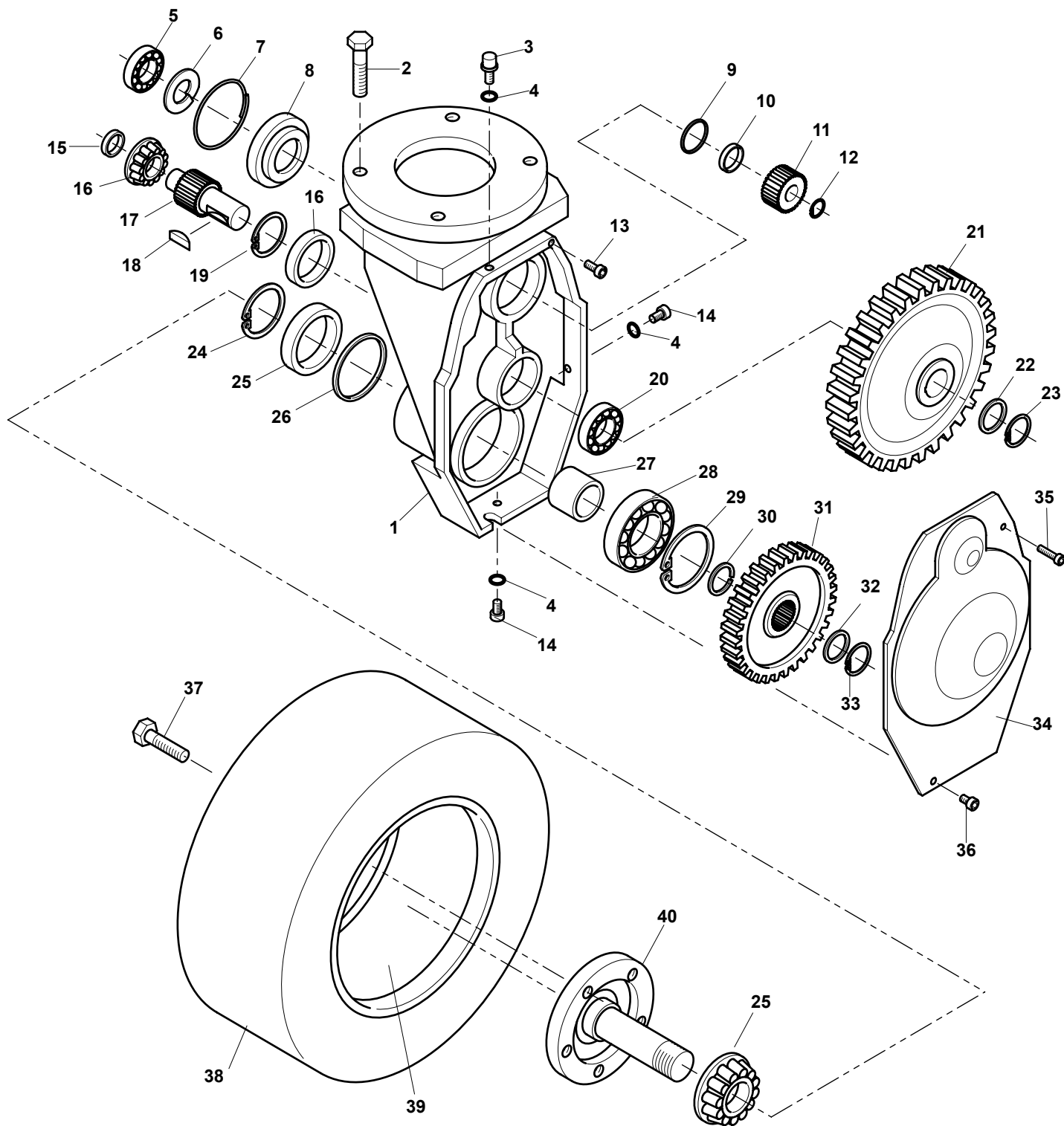


## Electrical - Instrument Panel

[back to Content page](#)

Item	Part No.	Description
1	CR 802833	Unigauge
	CR 113773-006	Hour Meter (not Shown)
	CR 106288	Battery Discharge Meter (not Shown)
	CR 126238-002	Battery Discharge Meter for MFB (not Shown)
2	CR 072708-OEM	Key Switch, Includes 2 keys, Ring & Nut
3	CR 077633	Toggle Switch, Includes Nut
4	CR 120127	Flange Inlet, AC
5	CR 810562	Charger LED
6	CR 805752	Fuse Holder
	CR 805751-001	Fuse 10A (FU2)
	CR 805751-002	Fuse, 2A (FU3) (not Shown)
7	CR 805892	Thermostat, F/C
8	CR 813537-234	Cover, Unit with Battery Charger
	CR 813537-231	Cover, Unit w/o Battery Charger (not Shown)

# Drive Unit



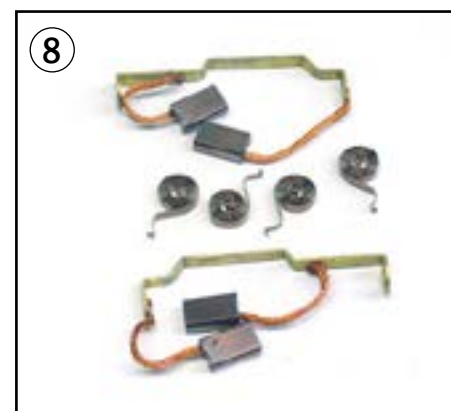
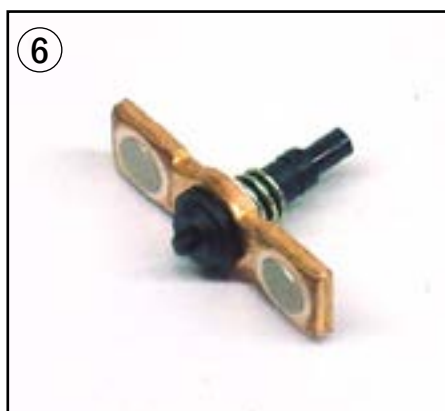
# Drive Unit

[back to Content page](#)

Item	Part No.	Description
1	CR 805101	Housing
2	CR 050005-037	Screw
3	CR 805109	Breather
4	CR 805110-003	Seal
5	CR 805111-005	Bearing
6	CR 805116-002	Washer
7	CR 805117	O-ring
8	CR 805113-002	Bushing
9	CR 805110-002	Seal
10	CR 805118	Ring
11	CR 805108	Pinion
12	CR 805112-005	Retaining ring
13	CR 805115-003	Screw
14	CR 805115-004	Screw
15	CR 805107	Cap
16	CR 805111-003	Bearing
17	CR 805105	Pinion
18	CR 805106	Key
19	CR 805112-004	Retaining ring
20	CR 805111-004	Bearing
21	CR 805104	Gear
22	CR 805116-001	Washer
23	CR 805112-003	Retaining ring
24	CR 805112-001	Retaining ring
25	CR 805111-001	Ball bearing
26	CR 805110-001	Seal
27	CR 805113-001	Bushing
28	CR 805111-002	Bearing

Item	Part No.	Description
29	CR 805112-006	Retaining ring
30	CR 805114-001	Shim
31	CR 805102	Gear
32	CR 805114-002	Shim
33	CR 805112-002	Retaining ring
34	CR 805103	Gear box
35	CR 805115-002	Screw
36	CR 805115-001	Screw
37	CR 050074-002	Lug bolt
38	CR 127251	Drive Tire, rubber, smooth flat
	CR 127248-001	Drive Tire, rubber, smooth flat, includes Hub
	CR 127251-XG	Drive Tire, rubber, X Groove
	CR 127248-001-XG	Drive Tire, rubber, X Groove, includes Hub
	CR 75715-010	Drive Tire, Poly 90-92A, smooth flat
	CR 127249	Drive Tire Assembly, Poly 90-92A, smooth flat, includes Hub
	CR 75715-010-XG	Drive Tire, Poly 90-92A, X Groove
	CR 127249-XG	Drive Tire Assembly, Poly 90-92A, X groove, includes Hub
39	CR 127250	Hub
40	CR 805100	Wheel Shaft

## Drive Motor, Brake and Hydraulics



[back to Content page](#)

## Drive Motor, Brake and Hydraulics

Item	Part No.	Description
1	CR 805839-AM	Traction Motor (Aftermarket) (Original OEM Motor)
2	CR 128092	Brush Kit, includes 4 Brushes & 4 Springs
3	CR 807102	Brake Assembly
4	CR 802820	Contact (Pump & Line)
5	CR 803689	Fixed Contact
6	CR 803690	Moveable Contact
7	CR 805770-001	Pump and Motor Assembly
8	CR 128091	Brush & Spring Kit (Hydraulic Pump Motor)
9	CR 805600	Lift Cylinder Assembly
10	CR 128093	Seal Kit
11	CR 805158	Pump Motor (New Motor)



## Control Handle

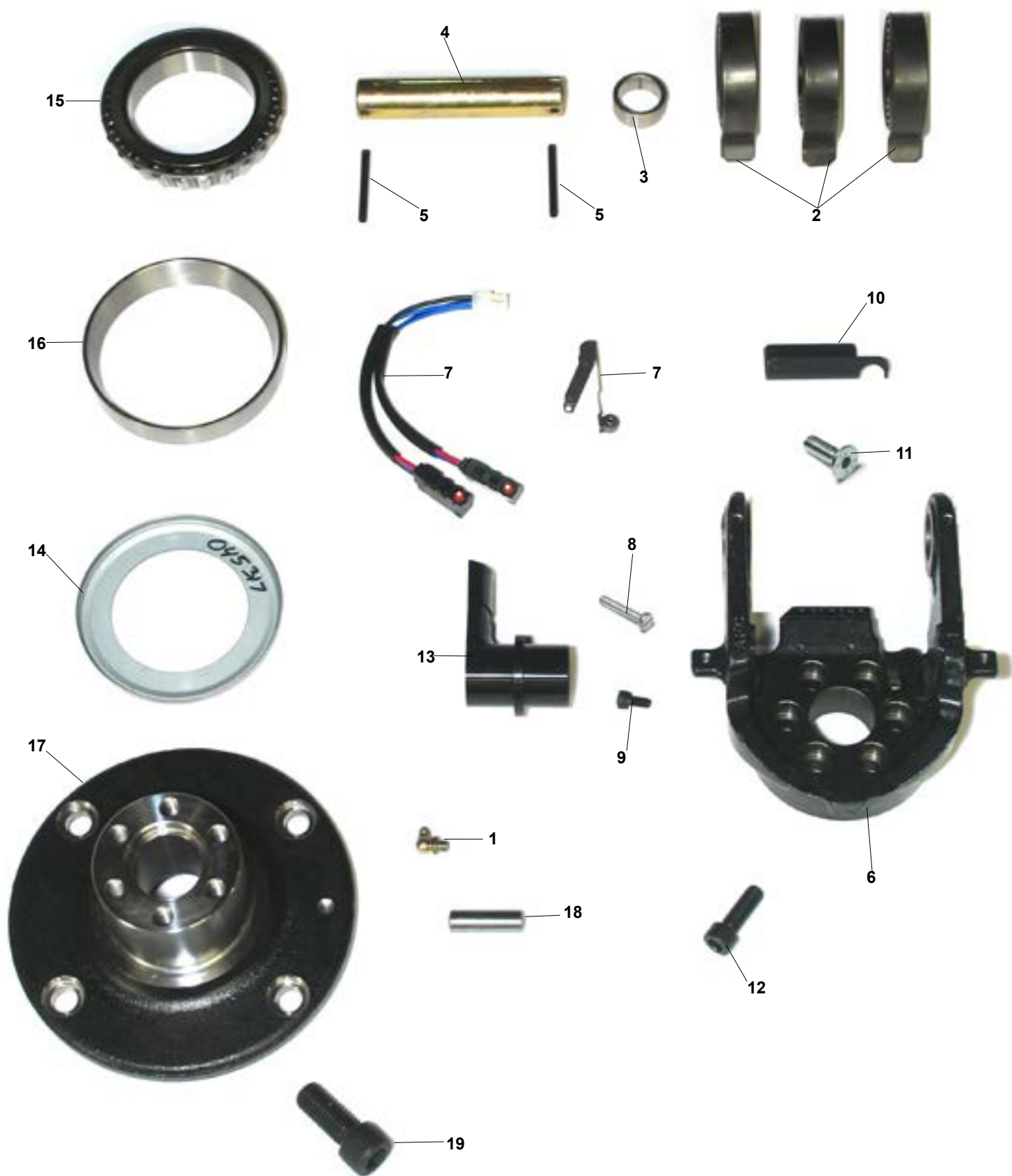


## Control Handle

[back to Content page](#)

Item	Part No.	Description
1	CR 808799	Tiller
2	CR 051058-001	Bushing
3	CR 811953	Tiller Harness
4	CR 812894-002	Screw
5	CR 808986	Lower Shell
6	CR 792940	Nut
7	CR 812893-003	Screw
8	CR 812893-001	Screw
9	CR 808985	Upper Shell
10	CR 808987-001	Hand Grip (RH)
11	CR 808987-002	Hand Grip (LH)
12	CR 812894-003	Screw
13	CR 811932-002	Horn Switch (HNS2)
14	CR 811931	Horn Harness
15	CR 810336	Plug
16	CR 814286	Nut
17	CR 814287	Washer
18	CR 812893-004	Screw
19	CR 811913-001-01	Handle Assembly (not Shown)
20	CR 811932-001	Horn Switch (HNS1)

# Control Arm Knuckle



# Control Arm Knuckle

[back to Content page](#)

Item	Part No.	Description
1	CR 054011-006	LubeFitting
2	CR 803013	Spring
3	CR 803353	Spacer
4	CR 805760	Shaft
5	CR 050000-015	Roll Pin
6	CR 045215	Knuckle
7	CR 805859	Switch
	CR 803310	Actuator
8	CR 050004-032	Screw
9	CR 050005-061	Screw
10	CR 805738	Damper Sheet
11	CR 050003-010	Screw
12	CR 050005-032	Screw
13	CR 045234	Cable Protector
14	CR 045317	Seal Metallic
15	CR 045319	Bearing
16	CR 045318	Bearing Outer Race
17	CR 045222	Flange
18	CR 050052-004	Pin
19	CR 050005-037	Screw

## Control Handle Cap

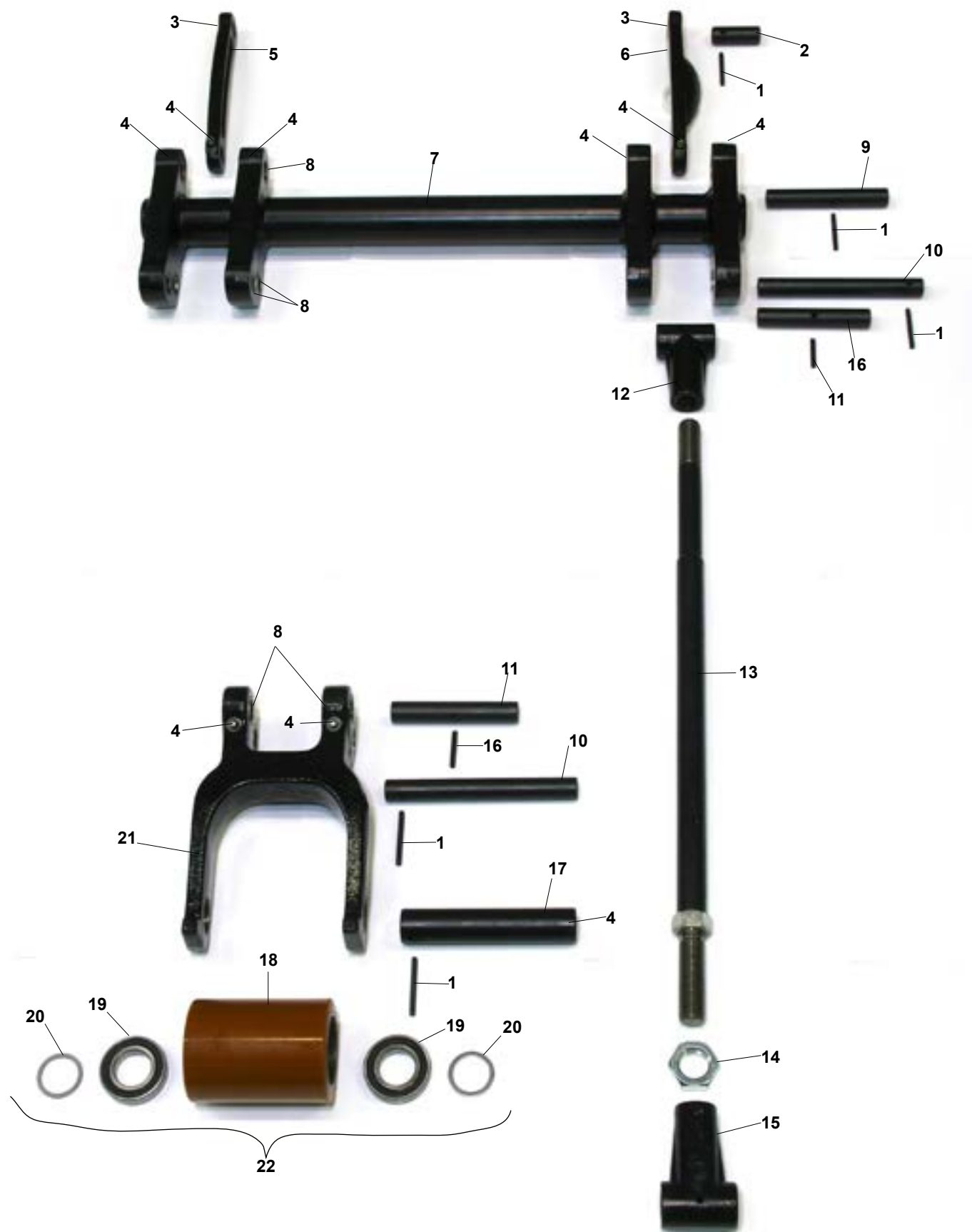


## Control Handle Cap

[back to Content page](#)

Item	Part No.	Description
1	CR 808951-001	Switch Cover
2	CR 812893-002	Screw
3	CR 810328	Support
4	CR 812894-002	Screw
5	CR 811935	Micro-Switch SAS
6	CR 803469-018	Screw
7	CR 051057-026	Spring
8	CR 811936	Button Bridge
9	CR 803469-017	Screw
10	CR 808992	Button
11	CR 812941 CR 812272	Main PC Board Main PC Board F/C
12	CR 812942-001 CR 812273-001	Hydraulic PC Board Hydraulic PC Board F/C
13	CR 811941 CR 812877	Fast/Slow Switch, HSS Fast/Slow Switch, F/C, HSS
14	CR 808990	Lower Cover
15	CR 810332	Support
16	CR 051057-021	Spring
17	CR 811940	Shaft
18	CR 050012-075	Retaining Ring
19	CR 810331	Support
20	CR 811939	Shaft
21	CR 808989	Lift Cover
22	CR 051057-023	Spring
23	CR 812894-004	Screw
24	CR 803469-023	Screw
25	CR 808993-002	Thumb Wheel LH
26	CR 050012-076	Retaining Ring
27	CR 810335	Bushing
28	CR 813533 CR 813534	Traction Potentiometer POT Traction Potentiometer POT F/C
29	CR 810333	Activator
30	CR 811937	Shaft
31	CR 812884	Spring
32	CR 808993-001	Thumb Wheel RH
33	CR 051057-028	Spring
34	CR 051057-022	Spring

## Frame and Undercarriage



## Frame and Undercarriage

[back to Content page](#)

Item	Part No.	Description
1	CR 050000-015	Poll Pin
2	CR 045433	Shaft
3	CR 055084-008	Bushing
4	CR 054011-006	Lube Fitting
5	CR 805761-002	Upper Link Assembly, w/Bushings (R.H.)
6	CR 805754-002	Upper Link Assembly, w/Bushings (L.H.)
7	CR 805773-002-04	Lower Link Assembly, 27" Fork Spread
8	CR 055084-009	Bushing
9	CR 807097	Shaft
10	CR 045224	Axle
11	CR 045469	Axle
12	CR 045292-001	Tension Bar End (Left Hand Thread)
13	CR 045482-002-06	Tension Bar (48" Forks) 7.8" Battery Comp.
14	CR 060021-019	Nut
15	CR 045292-002	Tension Bar End (Right Hand Thread)
16	CR 050000-017	Roll Pin
17	CR 045477	Axle
18	CR 813015	Poly Load Wheel (95A)
19	CR 065081-62	Bearing, Rubber Shield
20	CR 813016	String Guard
21	CR 805920-002	Riser Assembly, includes Items 4 and 8
22	CR 813014	Load Wheel Assembly, includes Items 18, 19 and 20
	GWK-WP2300-LW	Load Wheel Kit, includes (2) Wheels Assemblies, (2) Axles and Fasteners
	GWK-WP2300-LW-XL	Load Wheel Kit, includes (2) Wheels Assemblies Poly 97A, (2) Axles and Fasteners



## Skid Plate / Casters

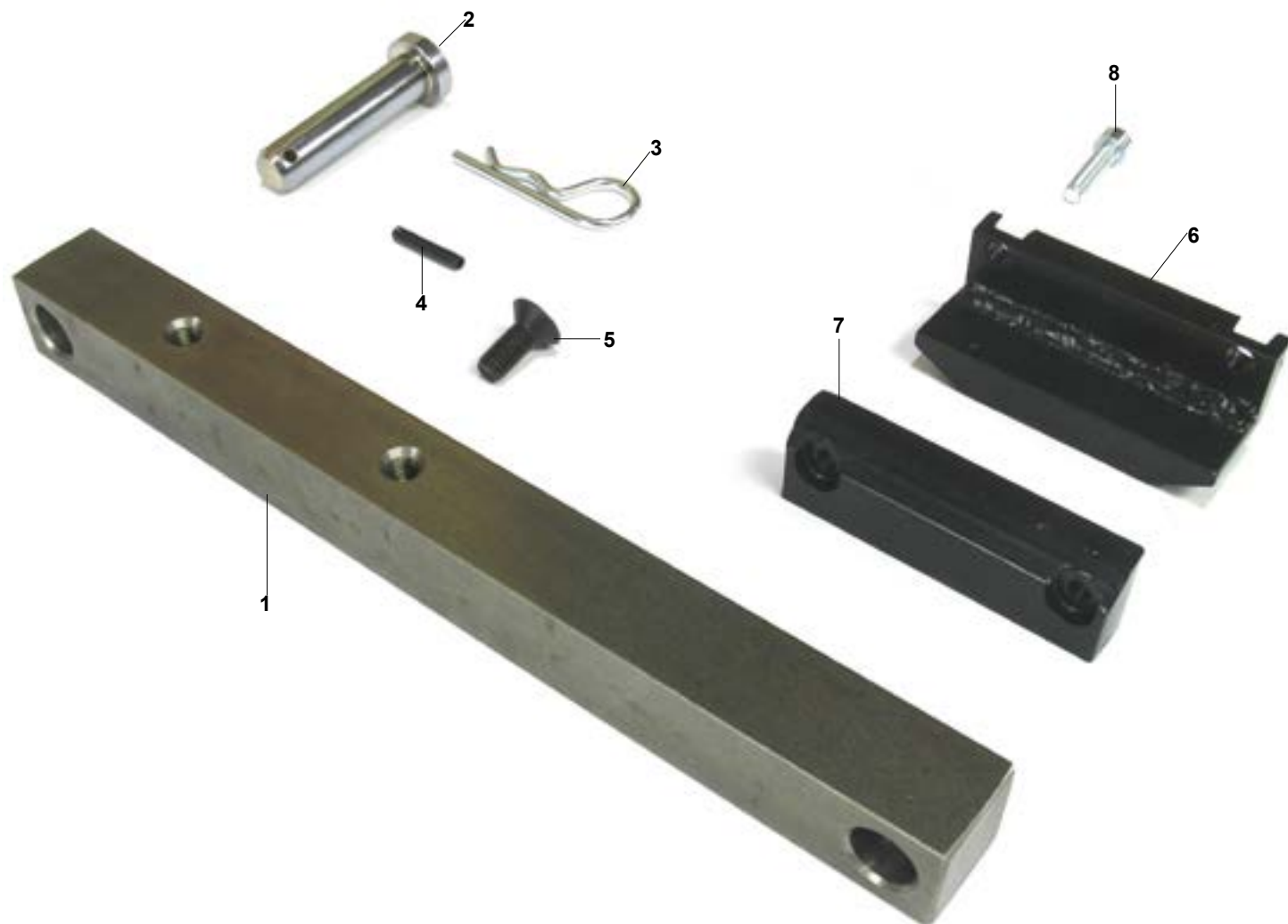


[back to Content page](#)

## Skid Plate / Casters

Item	Part No.	Description
1	CR 808262	Skid Plate
2	CR 050067-043	Screw, Skid Plate
3	CR 805888-010	Caster Wheel Assembly, includes Item 4
4	CR 805888-012	Bearing
5	CR 050000-047	Roll Pin
6	CR 805888-009	Wheel Axle
7	CR 805888-008	Pivot Axle
8	CR 805888-001	Caster Assembly

## Backrest Hardware & Wear Plate



[back to Content page](#)

## Backrest Hardware & Wear Plate

Item	Part No.	Description
1	CR 813051	Pivot Block
2	CR 813050	Clevis Pin
3	CR 050026-002	Cotter Pin
4	CR 050000-012	Roll Pin
5	CR 050003-043	Screw
6	CR 131257	Wear Plate
7	CR 131260	Retainer Plate
8	CR 50005-025	Screw



**800-331-0839**

[www.GenericParts.com](http://www.GenericParts.com)