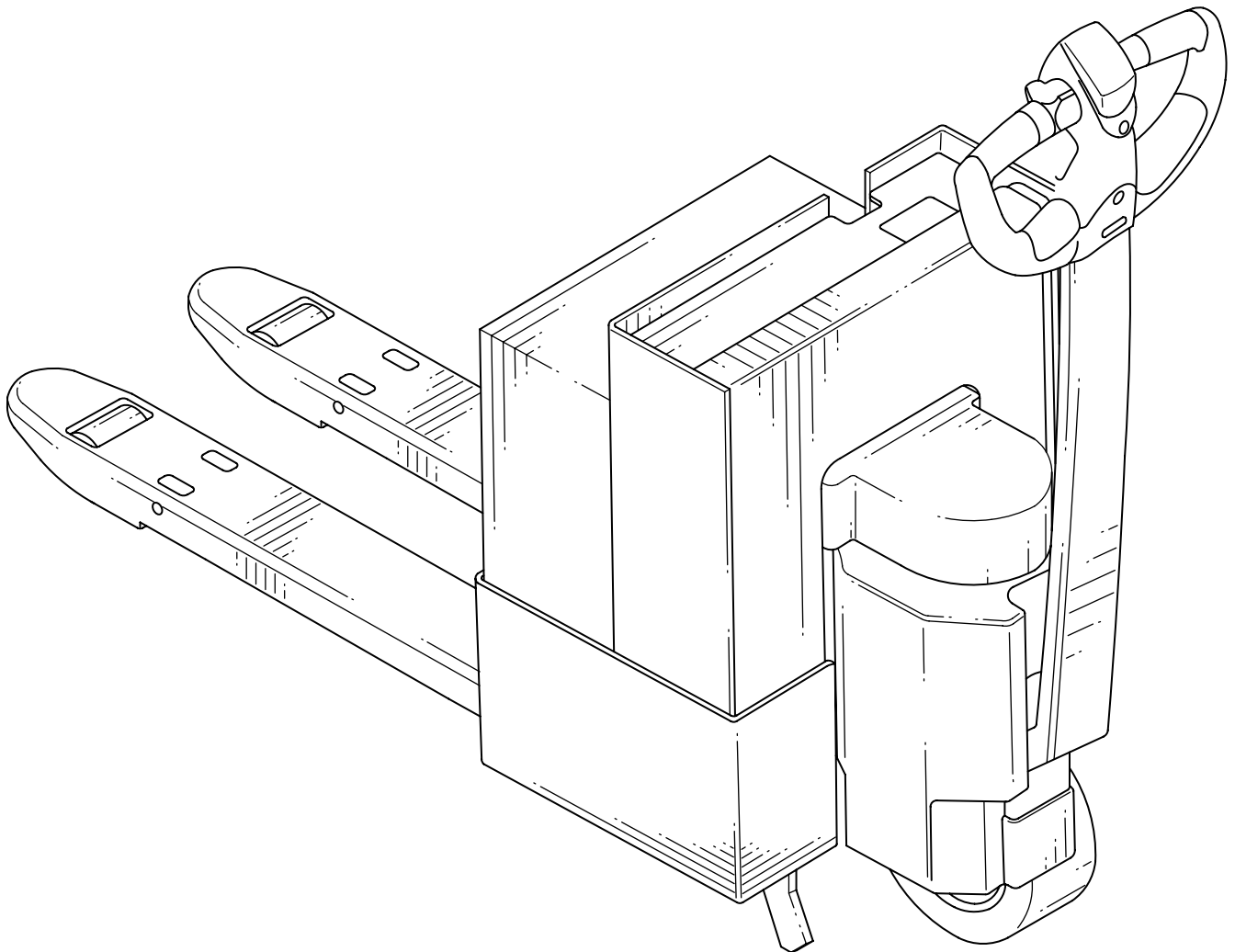


# Replacement Parts for Crown GPW Series



# Model Nomenclature

## Standard/Custom/Special

-- Standard; C - Custom; S - Special

### Fork Spread

22 - 22in. (560mm); 27 - 27 in. (685mm)

### Fork Length

36 - 36 in. (915mm); 42 - 42 in. (1065mm); 48 - 48 in. (1220mm)

### Frame

C - Caster; S - Skid Bar

### Control

R - Resistor; T - Transistor

### Battery Options

-- - no batteries; SO - Swingout; MF - Maintenance Free

### Drive Tire

P - Poly; R - Rubber

### Meter Options

KE - No Meter Options  
HM - Hour Meter  
DM - Discharge Meter  
HD - Hour/Discharge Meter

### Cold Condition

C - Corrosion Condition  
F - Freezer Condition  
-- - No Cold Condition

### Load Backrest

48 - 48 in. (1220mm)  
60 - 60 in. (1525mm)  
-- - No Backrest

- 27 48 C T -- P HD - 48

# Contents

<a href="#">Quick Wheel Lookup</a>	4
------------------------------------	---

## Electrical

<a href="#">Miscellaneous: Keys, Gauges, Horn</a>	6
<a href="#">Batteries and Related Items</a>	8
<a href="#">Contactor Panel - Resistor</a>	10
<a href="#">Contactor Panel - Transistor (Curtis)</a>	12

## Drive Unit

<a href="#">Drive Unit</a>	14
<a href="#">Drive Motors</a>	16

## Brake

<a href="#">Brakes</a>	18
------------------------	----

## Control Assembly

<a href="#">Resistor Control Pod</a>	20
<a href="#">Resistor Freezer Corrosion</a>	22
<a href="#">Transistor Control Pod</a>	24
<a href="#">Transistor Freezer Corrosion</a>	26
<a href="#">Control Arm and Wiring Harness</a>	28

## Hydraulic

<a href="#">Pump and Motor Assembly</a>	30
<a href="#">Lift Cylinder Assembly</a>	32

## Frame and Undercarriage

<a href="#">Riser Assembly</a>	34
<a href="#">Lift Linkage</a>	36
<a href="#">Entry Brackets/Rollers</a>	38
<a href="#">Casters</a>	40

## Quick Wheel Lookup

## Quick Wheel Lookup

OEM #	Wheel Type	Description	Wheel OD in/mm	Tread Width in/mm	Hub Width in/mm	Hub ID in/mm	Bearing OD in/mm	Bearing #	Material/ Color
CR 83970	Load Wheel	Poly Load Wheel, 95-A	3.250/83	4.500/115	4.500/115		2.440/62	6206Z	Scotch, 95-A
CR 83970-A	Load Wheel Assy	Poly Load Wheel Assy, 95-A, Incl Bearings	3.250/83	4.500/115	4.500/115		2.440/62	6206Z	Scotch, 95-A
CR 83970-XL	Load Wheel	Poly Load Wheel, 97-A	3.250/83	4.500/115	4.500/115		2.440/62	6206Z	
CR 83970-XL-A	Load Wheel Assy	Poly Load Wheel Assy, 97-A, Incl Bearings	3.250/83	4.500/115	4.500/115		2.440/62	6206Z	
<a href="#">GWK-GPW-LW</a>	Load Wheel Kit	Includes (2) Durarun Load Wheel Assemblies 95-A, with Axles, Bearings & Fasteners	3.250 / 83	4.500/115	4.500/115				Scotch, 95-A
<a href="#">GWK-GPW-LW-XL</a>	Load Wheel Kit	Includes (2) Durarun Load Wheel Assemblies 97-A, with Axles, Bearings & Fasteners	3.250 / 83	4.500/115	4.500/115				Cream, 97-A
CR 71715-01	Drive Tire	Poly Drive Tire, Smooth Flat	10.00/254	5.00/127		6.500/165			Maroon, 88-92-A
CR 71715-05	Drive Tire	Poly Drive Tire, Smooth Flat	10.00/254	5.00/127		6.500/165			Cream, 92-95-A
CR 042028	Drive Tire	Rubber Drive Tire, Smooth Flat	10.00/254	5.00/127		6.500/165			Black
CR 042028-XGROOVE	Drive Tire	Rubber Drive Tire, X-Groove	10.00/254	5.00/127		6.500/165			Black
CR 042031-002	Hub	Drive Wheel Hub							
CR 71894	Caster Wheel	Caster Wheel Assy, 95-A, Incl Bearings	4.00/102	2.00/51			1.187/30	BS 34178	Scotch, 95-A

CR 83970



CR 83970-A



CR 83970-XL



CR 042028



CR 042031-002



CR 71894



[GWK-GPW-LW](#)



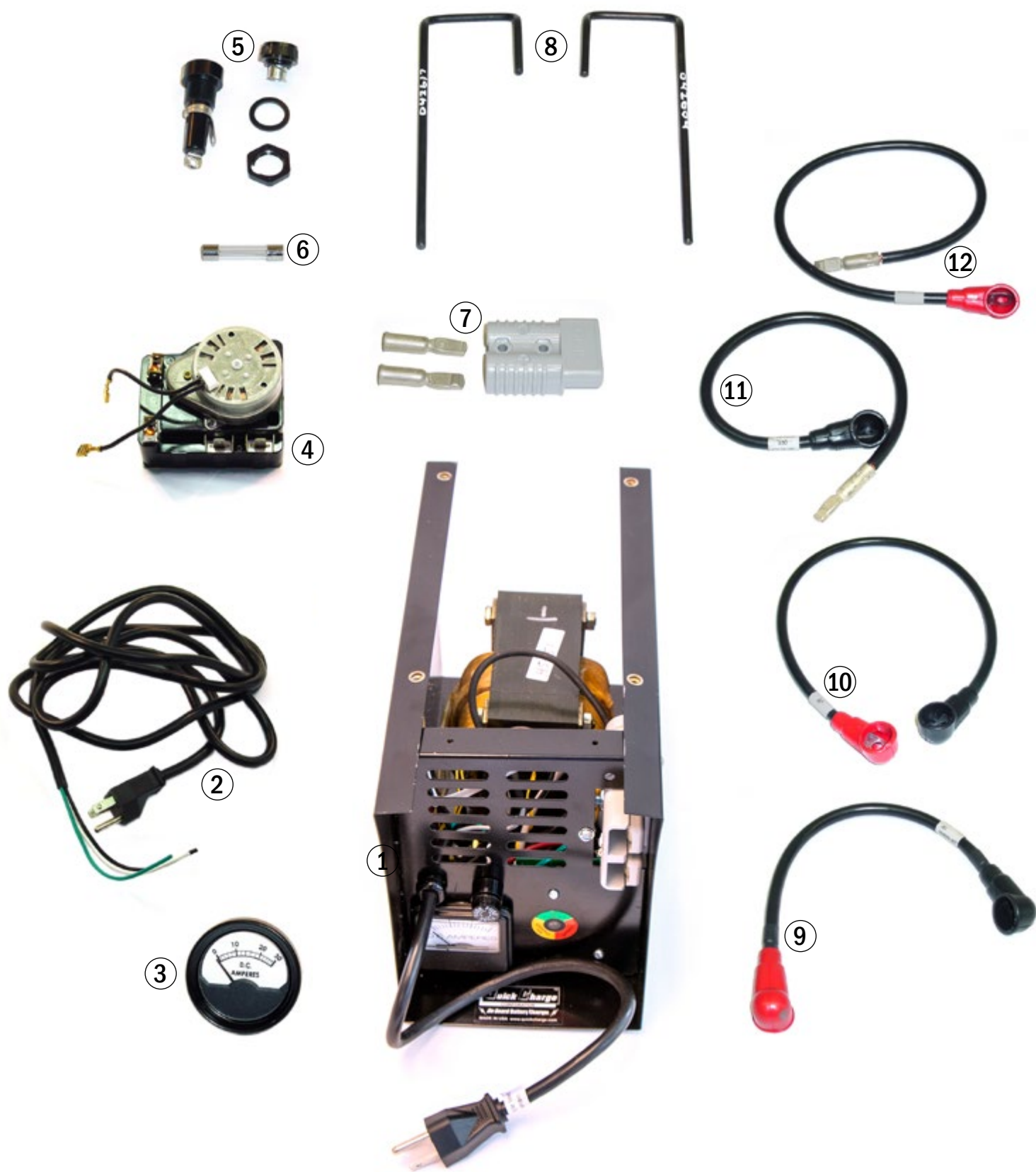
## Electrical - Miscellaneous



## Electrical - Miscellaneous

Item	Part No.	Description
1	CR 72708-OEM	Ignition switch, Original
	CR 107151-001-OEM	Replacement key, OEM molded key
	CR 107151-001-OEM-G	Replacement key, Non-molded, fits OEM ignition
2	CR 72708	Ignition switch, Generic
	CR 107151-001	Replacement key, Fits Generic Ignition
3	CR 106288	Battery discharge indicator
4	CR 72733-003	Hour meter
5	CR 78708-002	Horn

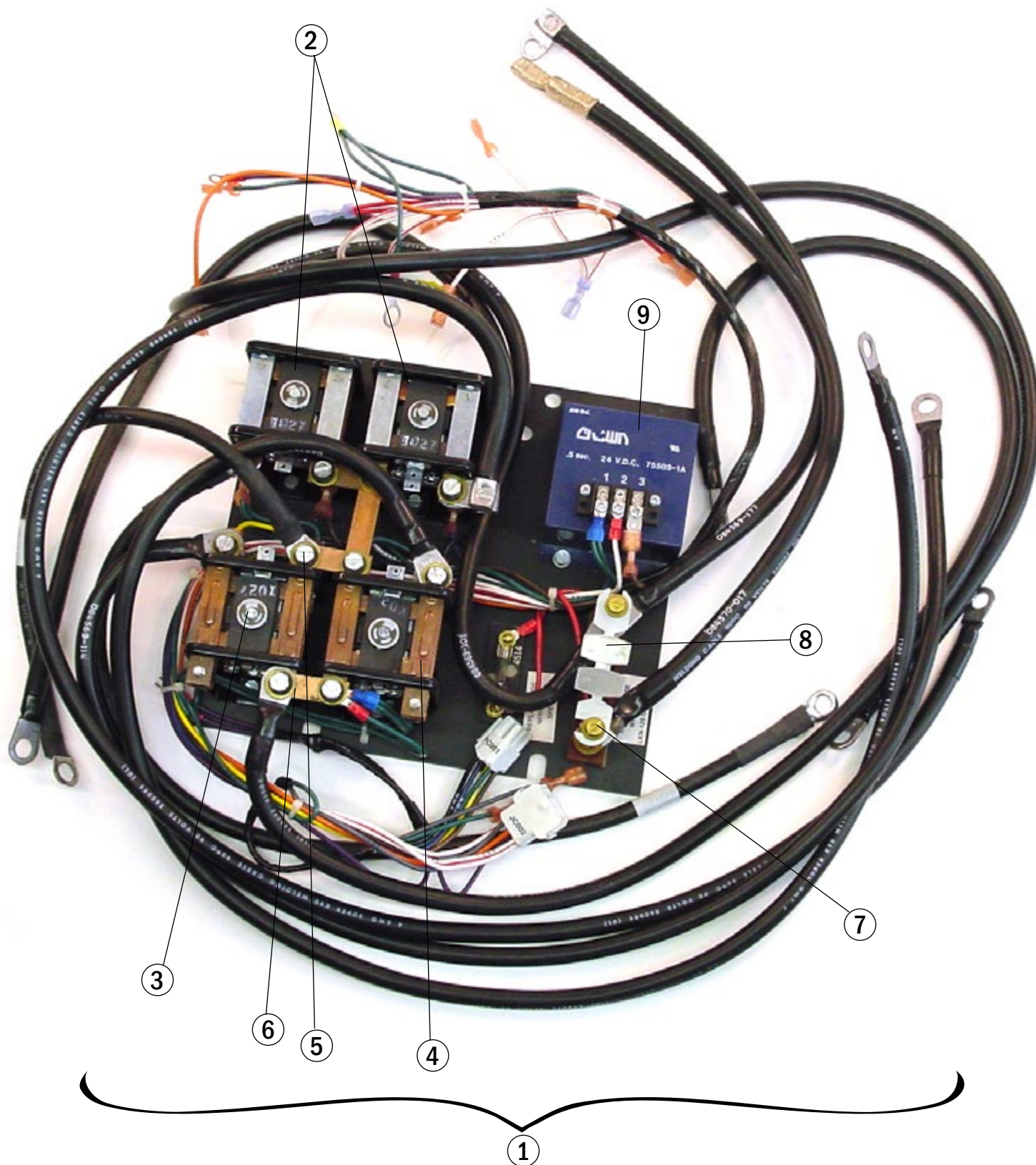
## Electrical - Batteries and Related Items



## Electrical - Batteries and Related Items

Item	Part No.	Description
1	CR 109131-001	Battery charger, 24V DC - 120V AC Input
	CR 109131-002	Battery charger, 24V CD - 230V AC Input
2	CR 74233	Charger cord, 120V
3	CR 092796	Ammeter
4	CR 092797	Timer, 120V
5	CR 109046	Fuse holder
6	CR 090132	Fuse, 10 Amp.
7	CR 078723-002	Connector housing, 175 gray
	CR 078724-002	Contact, 175
8	CR 42617	Pull latch, left
	CR 42609	Pull latch, right
9	CR 084569-007	Cable
10	CR 084569-036	Cable
11	CR 084569-030	Cable
12	CR 084569-031	Cable

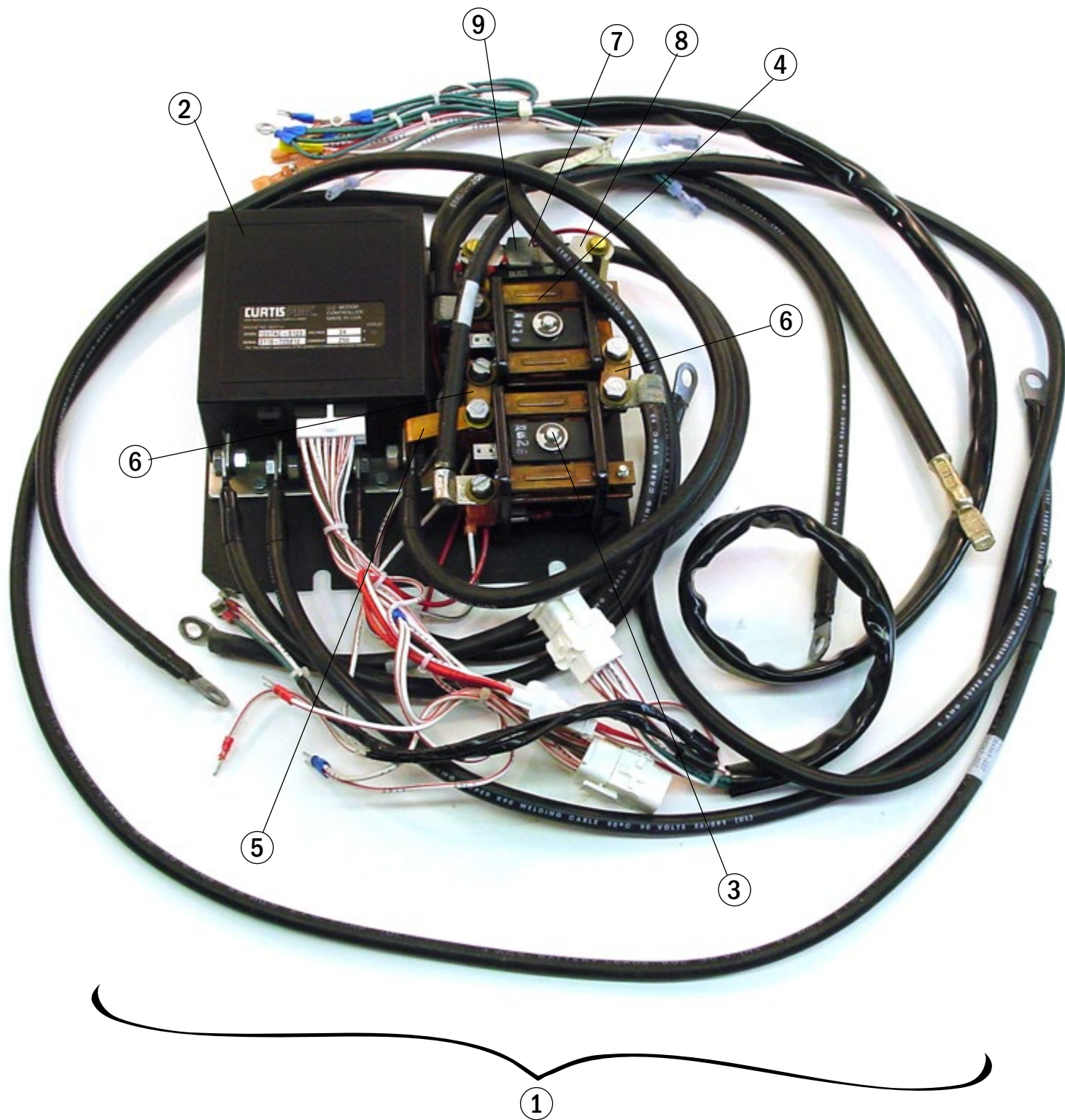
## Electrical - Contactor Panel - Resistor



## Electrical - Contactor Panel - Resistor

Item	Part No.	Description
1	CR 109910	Contacteur panel, assembly, complete w/wiring
2	CR 093576	Contacteur, 24V, 2nd & 3rd speed
3	CR 093574	Contacteur, forward
4	CR 093575	Contacteur, reverse
5	CR 74241	Bus bar
6	CR 76051	Bus bar
7	CR 71902-002	Fuse, 14 Amp
8	CR 076789	Fuse, 125 Amp.
9	CR 75503-001	Time delay, .5 seconds
Not shown:		
	CR 105447	Contact tip kit, 2nd & 3rd speed
	CR 105446	Contacteur tip kit, forward & reverse

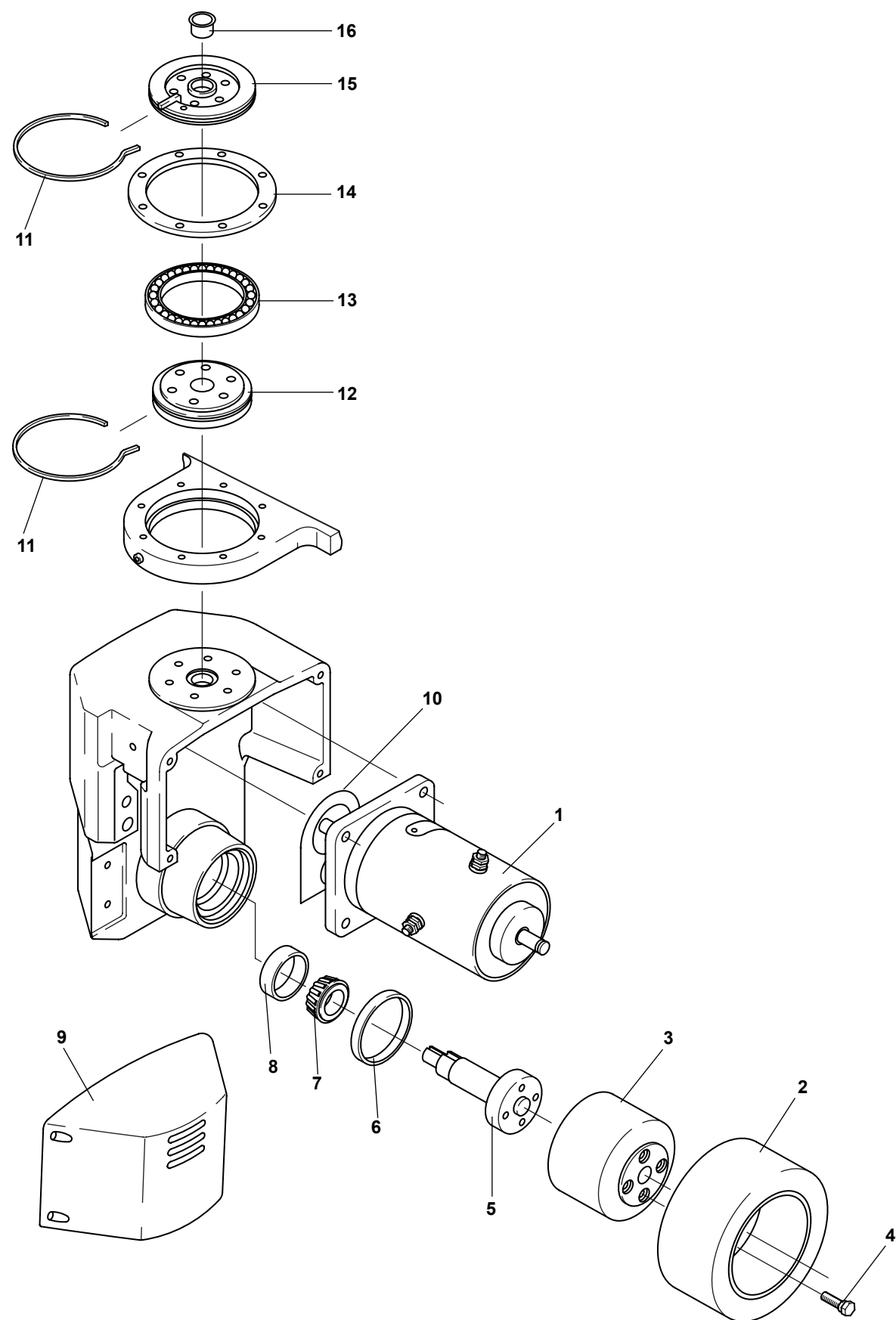
## Electrical - Contactor Panel - Transistor (Curtis)



## Electrical - Contactor Panel - Transistor (Curtis)

Item	Part No.	Description
1	CR 116944	Contactor panel - complete, Curtis, w/wiring
2	CR 119336-R CR 119336-C	Curtis controller - rebuilt, 24V, 250A Core deposit
3	CR 093574	Contactor, reverse
4	CR 093575	Contactor, forward
5	CR 116853	Bus bar
6	CR 76051	Bus bar
7	CR 076789	Fuse, 125 Amp
8	CR 116852	Bus bar
9	CR 71902-002	Fuse, 14 Amp
Not shown:		
	CR 105446	Contact tip kit, Forward & reverse

## Drive Unit

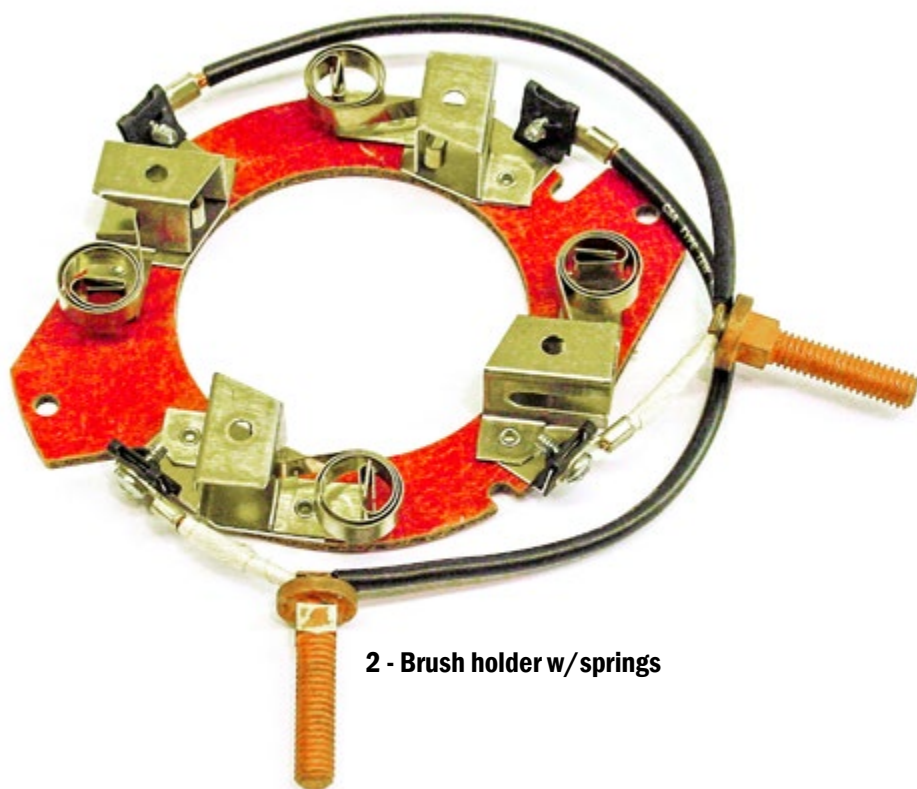


## Drive Unit

Item	Part No.	Description
1	See drive motor section for listing	
1	CR 75715	Poly drive tire
	SU 10x4x6.5-SF-P	Poly drive tire, 91-A, smooth flat
	SU 10x4x6.5-SC-EZ	Poly drive tire, 85-A, smooth Crown
	CR 74458	Rubber drive tire
	SU 13.5X5.5X8-SF-R	Rubber drive tire, Smooth, flat
3	CR 042031-002	Hub
4	CR 078885-001	Lug bolt
5	CR 107374	Axle, to S/N W95005
	CR 108339	Axle, from S/N W95006
6	CR 042024	Axle seal
7	CR 042020	Bearing cone
8	CR 042019	Bearing cup
9	CR 042005	Brake cover
10	CR 042007	Motor gasket
11	CR 042025	Felt seal
12	CR 042017	Lower mounting plate
13	CR 042021	Bearing
14	CR 108966	Bearing retainer
15	CR 042044	Upper mounting plate
16	CR 085689	Grommet

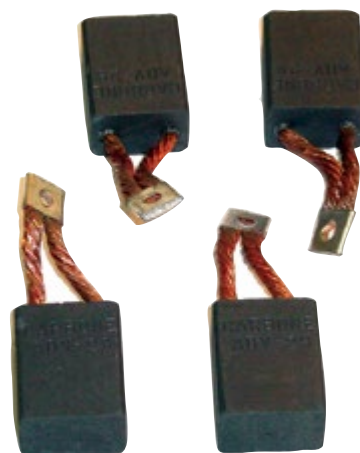


## Drive Motors



2 - Brush holder w/springs

3 - Brush Set



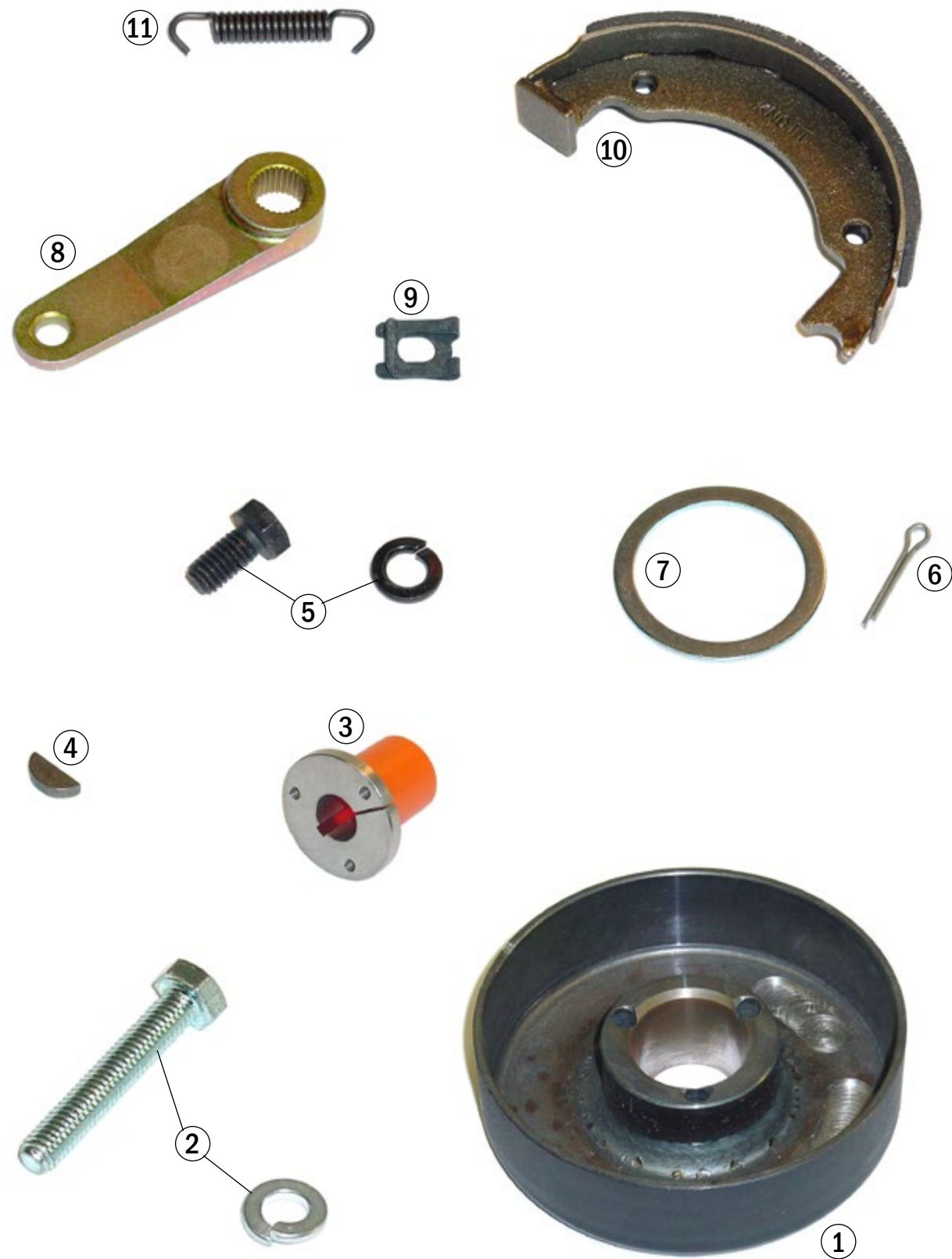
1 - Drive Motors



## Drive Motors

Item	Part No.	Description
1	CR 42047	Drive motor, 24V, up to S/N W31350
2	CR 42267	Brush holder w/spring
3	CR 87855	Brush set, set of 4
1	CR 42371	Drive motor, 24V, W31351 to 7A105498
2	CR 42267	Brush holder, w/springs
3	CR 87855	Brush set, set of 4
1	CR 114462	Drive motor, 24V, from 7A106051
2	CR 114669	Brush holder, w/springs
3	CR 114671	Brush set, set of 4
1	CR 118362	Drive motor
2	CR 114669	Brush holder, w/springs
3	CR 114671	Brush set, set of 4

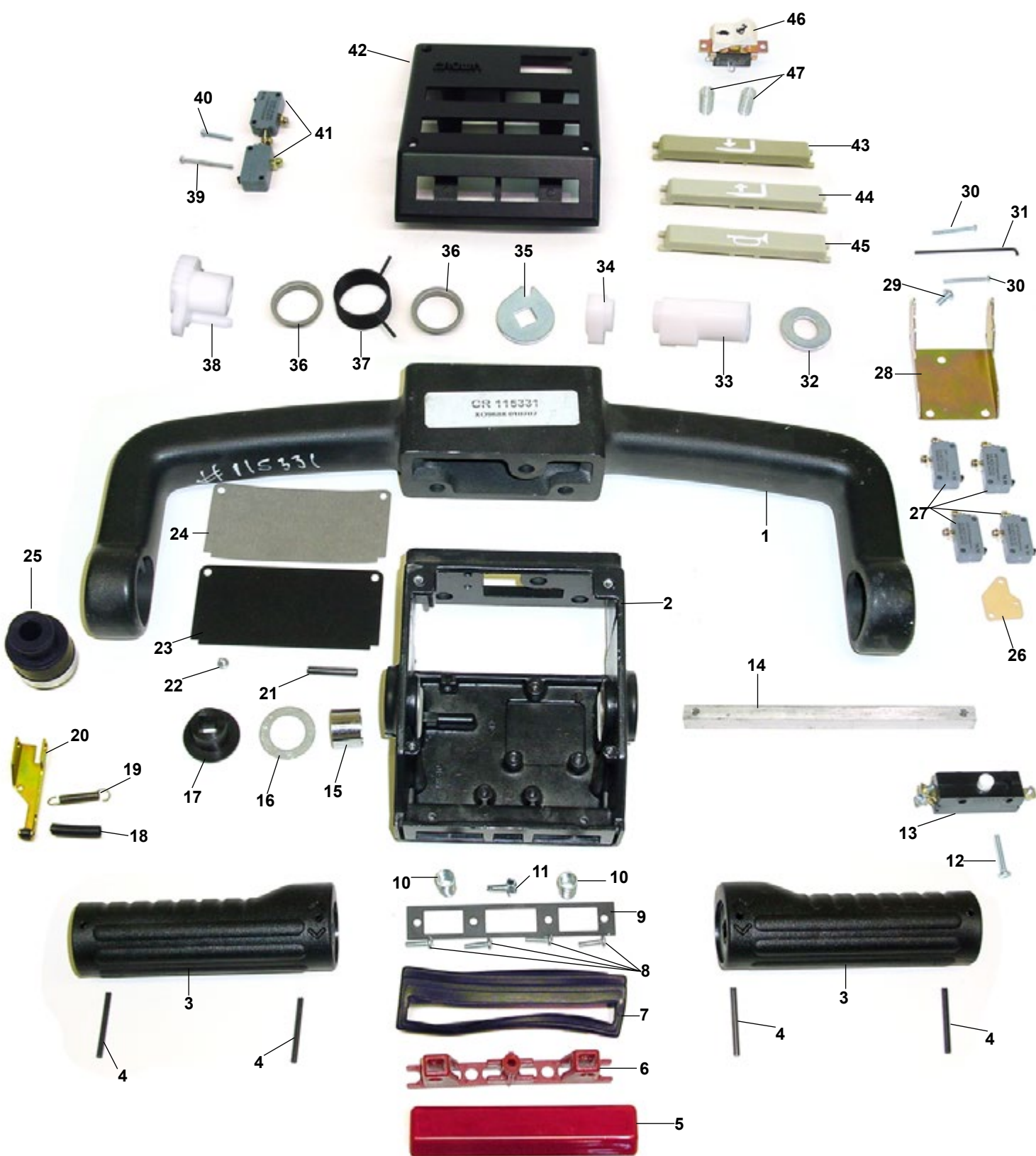
## Brakes



## Brakes

Item	Part No.	Description
1	CR 100403	Brake drum
2	CR 50007-010 CR 50010-015	Bolt Lockwasher
3	CR 42049-002	Bushing
4	CR 61008-001	Woodruff key, .19
5	CR 60016-002 CR 60005-008	Cap screw, hex head Lockwasher
6	CR 60038-006	Cotter pin
7	CR 60030-012	Washer
8	CR 101221	Brake lever
9	CR 101261	Retaining clip
10	CR 101223	Brake shoe
11	CR 101222	Spring

# Resistor Control Pod

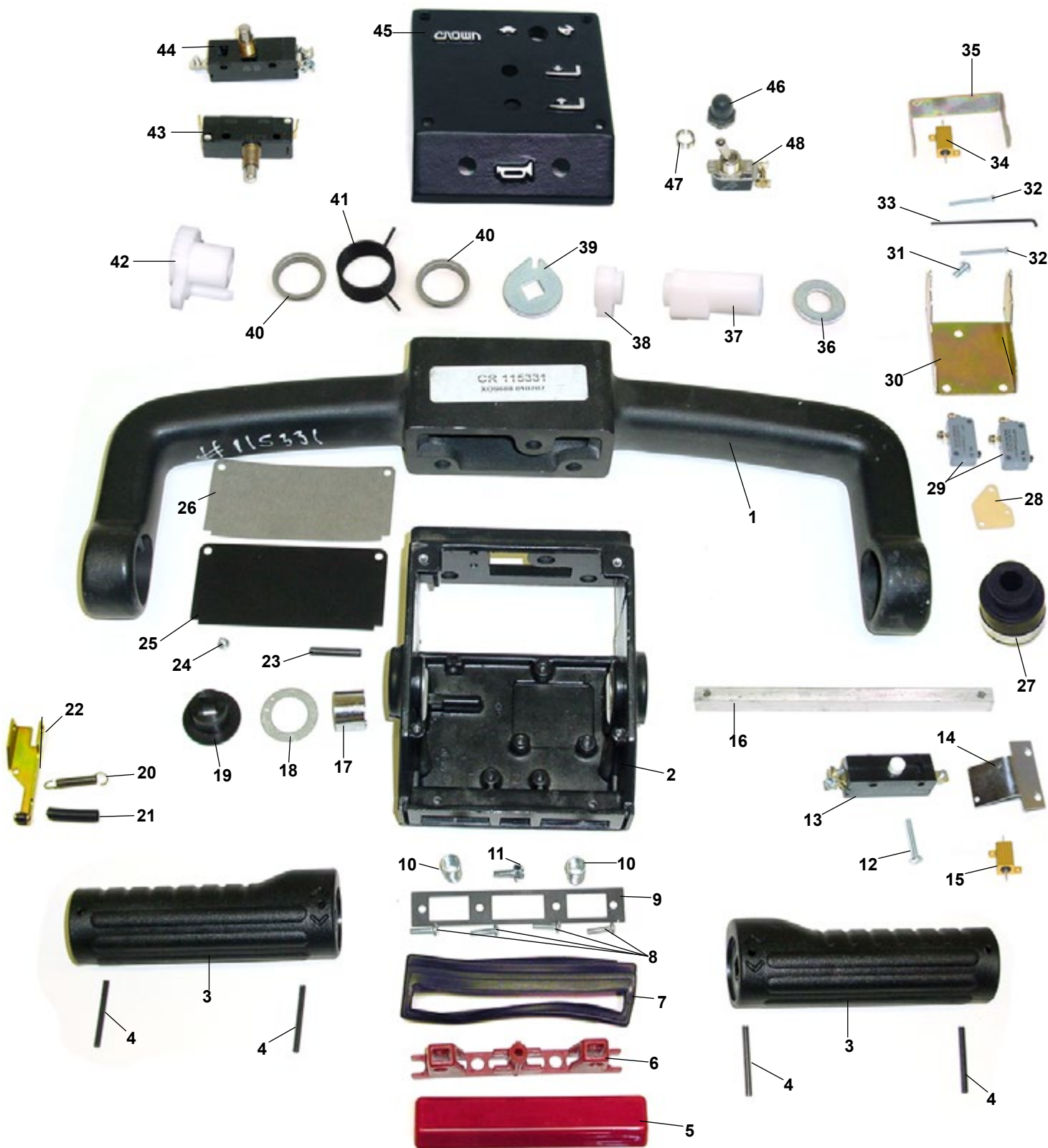


# Resistor Control Pod

Item	Part No.	Description
1	CR 089341	Yoke
2	CR 089317	Pod
3	CR 115675	Grip
4	CR 060000-108	Roll pin
5	CR 093904-001	Cap button
6	CR 089324-001	Red body button
7	CR 088975	Bellow
8	CR 060032-035	Self tapping screw
9	CR 093068	Retainer
10	CR 080695	Spring
11	CR 060032-032	Self tapping screw
12	CR 060012-023	Screw #6
13	CR 073375	Switch
14	CR 089521	Bar
15	CR 092224	Split bushing
16	CR 060030-163	Flat washer
17	CR 089510	Bushing
18	CR 065003-017	Sleeving
19	CR 073371	Spring
20	CR 092586	Arm detent
21	CR 060000-075	Roll pin
22	CR 060032-037	Self tapping screw
23	CR 087144	Cover
24	CR 114003	Insulator

Item	Part No.	Description
25	CR 116329	Extension
26	CR 089342	Spacer
27	CR 089362	Switch
28	CR 089336	Bracket
29	CR 060014-006	Screw #10
30	CR 060011-022	Screw #4
31	CR 089298-002	Rod
32	CR 060030-190	Flatwasher .03" thick
33	CR 089356	Cam
34	CR 089543	Cam
35	CR 089514	Plate
36	CR 088611-002	Collar
37	CR 089360	Torsion Spring
38	CR 089350	Stop
39	CR 060011-027	Screw #4
40	CR 060011-021	Screw #4
41	CR 089362	Switch
42	CR 088753-001	Cover unit
43	CR 117267-002	Lower button
44	CR 117267-001	Raise button
45	CR 117267-003	Horn button
46	CR 117268	Switch 3rd speed
47	CR 073384	Spring

## Resistor - Freezer Corrosion

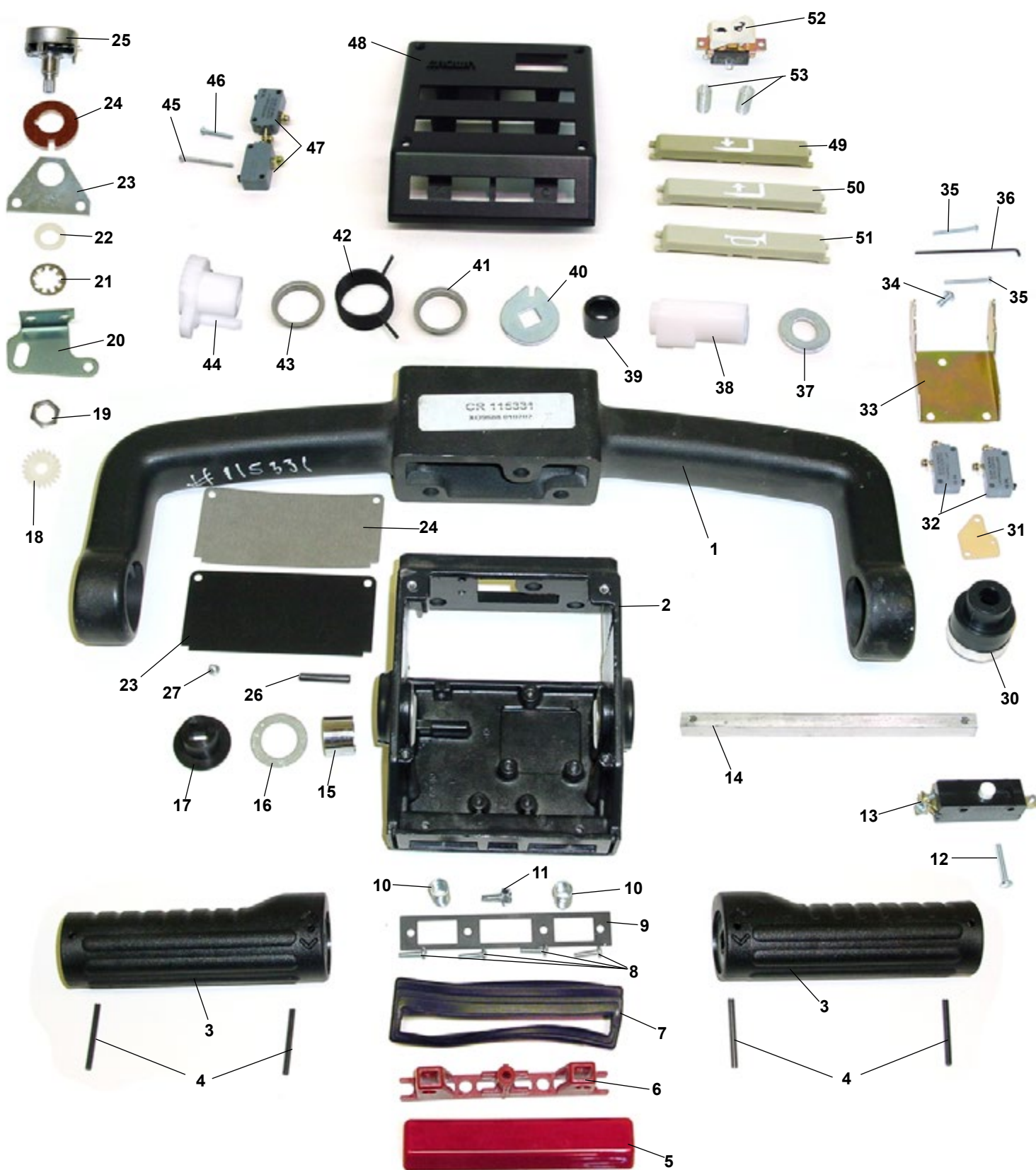


## Resistor - Freezer Corrosion

Item	Part No.	Description
1	CR 089341	Yoke
2	CR 089317	Pod
3	CR 115675	Grip
4	CR 060000-108	Roll pin
5	CR 093904-001	Cap button
6	CR 089324-001	Red button body
7	CR 088975	Bellow
8	CR 060032-035	Self tapping screw
9	CR 093068	Retainer
10	CR 080695	Spring
11	CR 060032-032	Self tapping screw
12	CR 060012-023	Screw #6
13	CR 073375	Switch
14	CR 93887	Bracket mounting
15	CR 062033-013	Resistor
16	CR 089521	Bar
17	CR 092224	Split bushing
18	CR 060030-163	Flat washer
19	CR 089510	Bushing
20	CR 073371	Spring
21	CR 065003-017	Sleaving
22	CR 092586	Arm detent
23	CR 060000-075	Roll pin
24	CR 060032-037	Self tapping screw

Item	Part No.	Description
25	CR 087144	Cover
26	CR 114003	Insulator
27	CR 116329	Extension
28	CR 089342	Spacer
29	CR 089362	Switch
30	CR 089336	Bracket
31	CR 060014-006	Screw #10
32	CR 060011-022	Screw #4
33	CR 089298-002	Rod
34	CR 062033-013	Resistor, 24V
35	CR 093492-001	Bracket
36	CR 060030-190	Flatwasher, .03" thick
37	CR 089356	Cam
38	CR 089543	Cam
39	CR 089514	Plate
40	CR 088611-002	Collar
41	CR 089360	Torsion spring
42	CR 089350	Stop
43	CR 101589	Switch, horn
44	CR 078879	Switch, lower and raise
45	CR 102525-001	Cover
46	CR 075585	Seal
47	CR 077635	Adaptor
48	CR 077633	Toggle switch

# Transistor Control Pod

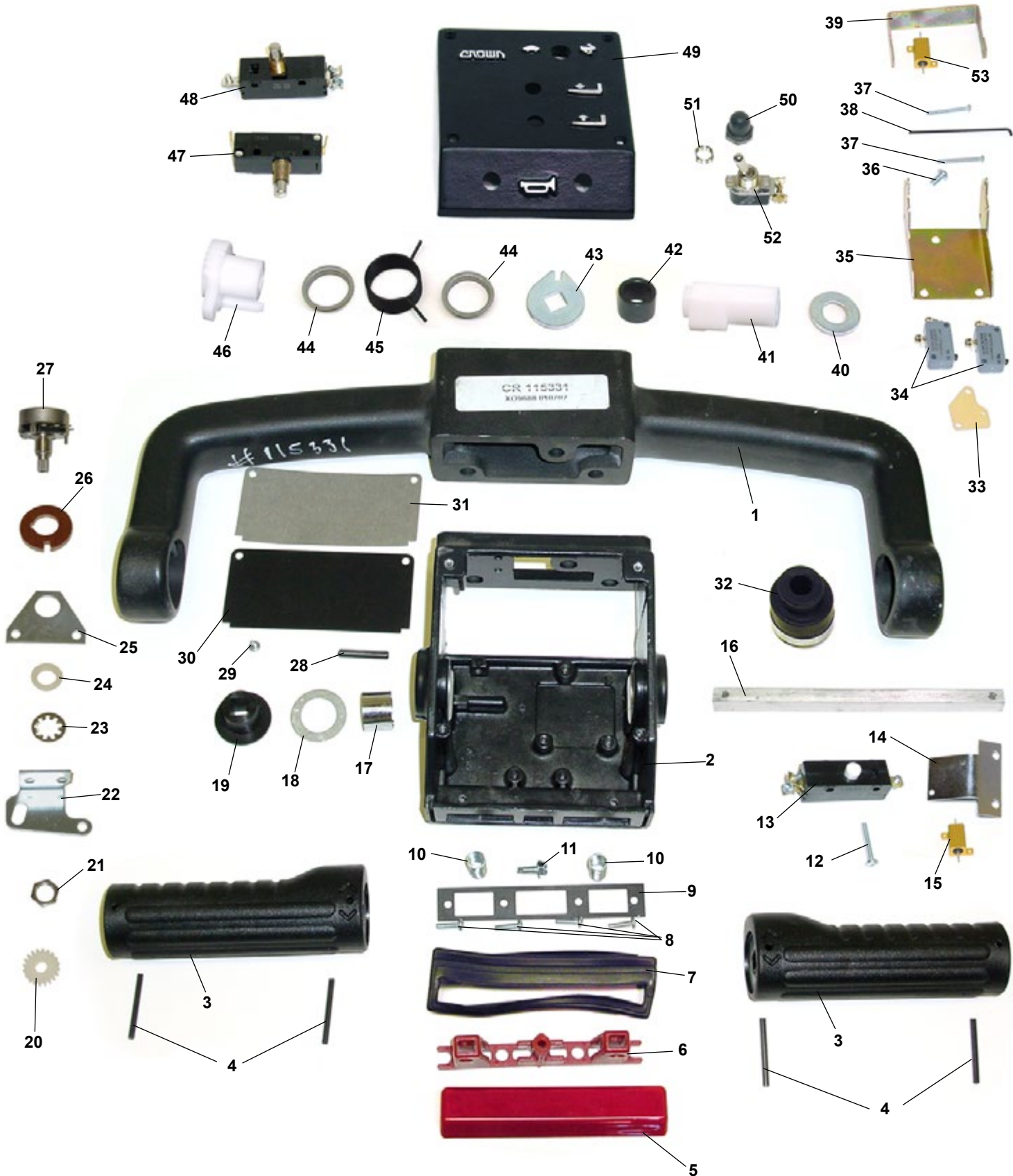


# Transistor Control Pod

Item	Part No.	Description
1	CR 089341	Yoke
2	CR 089317	Pod
3	CR 115675	Grip
4	CR 060000-108	Roll pin
5	CR 093904-001	Cap button
6	CR 089324-001	Red body button
7	CR 088975	Bellows
8	CR 060032-035	Self tapping screw
9	CR 093068	Retainer
10	CR 080695	Spring
11	CR 060032-032	Self tapping screw
12	CR 060012-023	Screw #6
13	CR 073375	Switch
14	CR 089521	Bar
15	CR 092224	Split bushing
16	CR 060030-163	Flat washer
17	CR 089510	Bushing
18	CR 080275	Pinion
19	CR 060021-010	Nut
20	CR 089532	Bracket
21	CR 060005-010	Lockwasher
22	CR 076649-002	Insulator
23	CR 089529	Plate
24	CR 089549	Insulator
25	CR 079019	Potentiometer, Accelerate
26	CR 060000-075	Roll pin
27	CR 060032-037	Self tapping screw

Item	Part No.	Description
28	CR 087144	Cover
29	CR 114003	Insulator
30	CR 116329	Extension
31	CR 089342	Spacer
32	CR 089362	Switch
33	CR 089336	Bracket
34	CR 060014-006	Screw #10
35	CR 060011-022	Screw #4
36	CR 089298-002	Rod
37	CR 060030-190	Flatwasher, .03" thick
38	CR 089356	Cam
39	CR 089548	Spacer
40	CR 089514	Plate
41	CR 088611-002	Collar
42	CR 089360	Torsion spring
43	CR 088611-002	Collar
44	CR 089350	Stop
45	CR 060011-027	Screw #4
46	CR 060011-021	Screw #4
47	CR 089362	Switch
48	CR 088753-001	Cover unit
49	CR 117267-002	Lower button
50	CR 117267-001	Raise button
51	CR 117267-003	Horn button
52	CR 117268	Switch 3rd speed
53	CR 073384	Spring

# Transistor - Freezer Corrosion

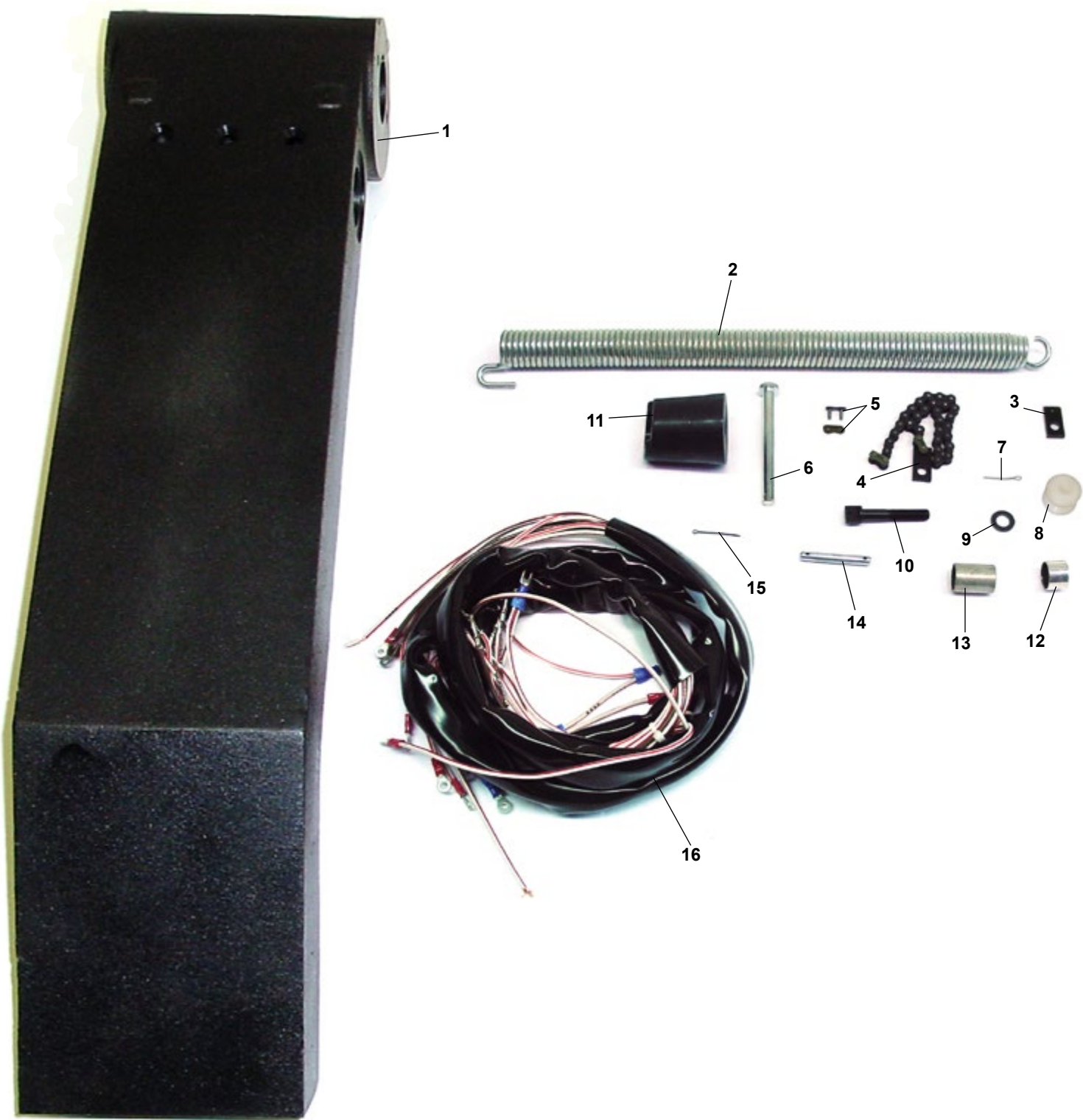


# Transistor - Freezer Corrosion

Item	Part No.	Description
1	CR 089341	Yoke
2	CR 089317	Pod
3	CR 115675	Grip
4	CR 060000-108	Roll pin
5	CR 093904-001	Cap button
6	CR 089324-001	Red button body
7	CR 088975	Bellow
8	CR 060032-035	Self tapping screw
9	CR 093068	Retainer
10	CR 080695	Spring
11	CR 060032-032	Self tapping screw
12	CR 060012-023	Screw #6
13	CR 073375	Switch
14	CR 93887	Bracket mounting
15	CR 062033-013	Resistor
16	CR 089521	Bar
17	CR 092224	Split bushing
18	CR 060030-163	Flatwasher
19	CR 089510	Bushing
20	CR 080275	Pinion
21	CR 060021-010	Nut
22	CR 089532	Bracket
23	CR 060005-010	Lockwasher
24	CR 076649-002	Insulator
25	CR 089529	Plate
26	CR 089549	Insulator
27	CR 079019	Potentiometer

Item	Part No.	Description
28	CR 060000-075	Roll pin
29	CR 060032-037	Self tapping screw
30	CR 087144	Cover
31	CR 114003	Insulator
32	CR 116329	Extension
33	CR 089342	Spacer
34	CR 118901	Switch
35	CR 089336	Bracket
36	CR 060014-006	Screw #10
37	CR 060011-021	Screw #4
38	CR 089298-002	Rod
39	CR 093492-001	Bracket
40	CR 060030-190	Flatwasher
41	CR 089356	Cam
42	CR 089548	Spacer
43	CR 089514	Plate
44	CR 088611-002	Collar
45	CR 089360	Torsion spring
46	CR 089509	Stop
47	CR 101589	Switch horn
48	CR 078879	Switch, lower and raise
49	CR 102525-001	Cover
50	CR 075585	Seal
51	CR 077635	Adaptor
52	CR 077633	Toggle switch
53	CR 062033-013	Resistor

## Control Arm and Wiring Harness



## Control Arm and Wiring Harness

Item	Part No.	Description
1	CR 043222	Tiller arm
2	CR 042548	Spring
3	CR 042171	Link
4	CR 042552	Chain
5	CR 042553	Connecting link
6	CR 043251	Pin
7	CR 050001-004	Cotter pin
8	CR 042173	Pully
9	CR 050009-018	Flat washer
10	CR 042054-002	Stud
11	CR 042372	Poly stop
12	CR 042053-001	Bushing
13	CR 065007-082	Bushing
14	CR 111401	Pin
15	CR 050001-011	Cotter pin
16	CR 116847	Wiring harness

## Hydraulic - Pump and Motor Assembly



## Hydraulic - Pump and Motor Assembly

Item	Part No.	Description
1	CR 116591	Pump and motor assembly
2	CR 117492	Motor - Generic, 24V
	CR 116835	Brush holder, OEM motor
	CR 103255	Brush spring, OEM motor
	CR 116832	Brush set, OEM motor
3	CR 84339	Check valve
4	CR 084343	Starter switch
5	CR 84344-001	Solenoid cartridge, Valve - 3way, 24V
6	CR 064013-001	Breather elbow
7	CR 070550	Breather
8	CR 064162-42	Hose
9	CR 64061-002	Elbow fitting, 90°
10	CR 117080	Relief valve Kit
11	CR 084316	O-Ring
12	CR 094544	Pump assembly



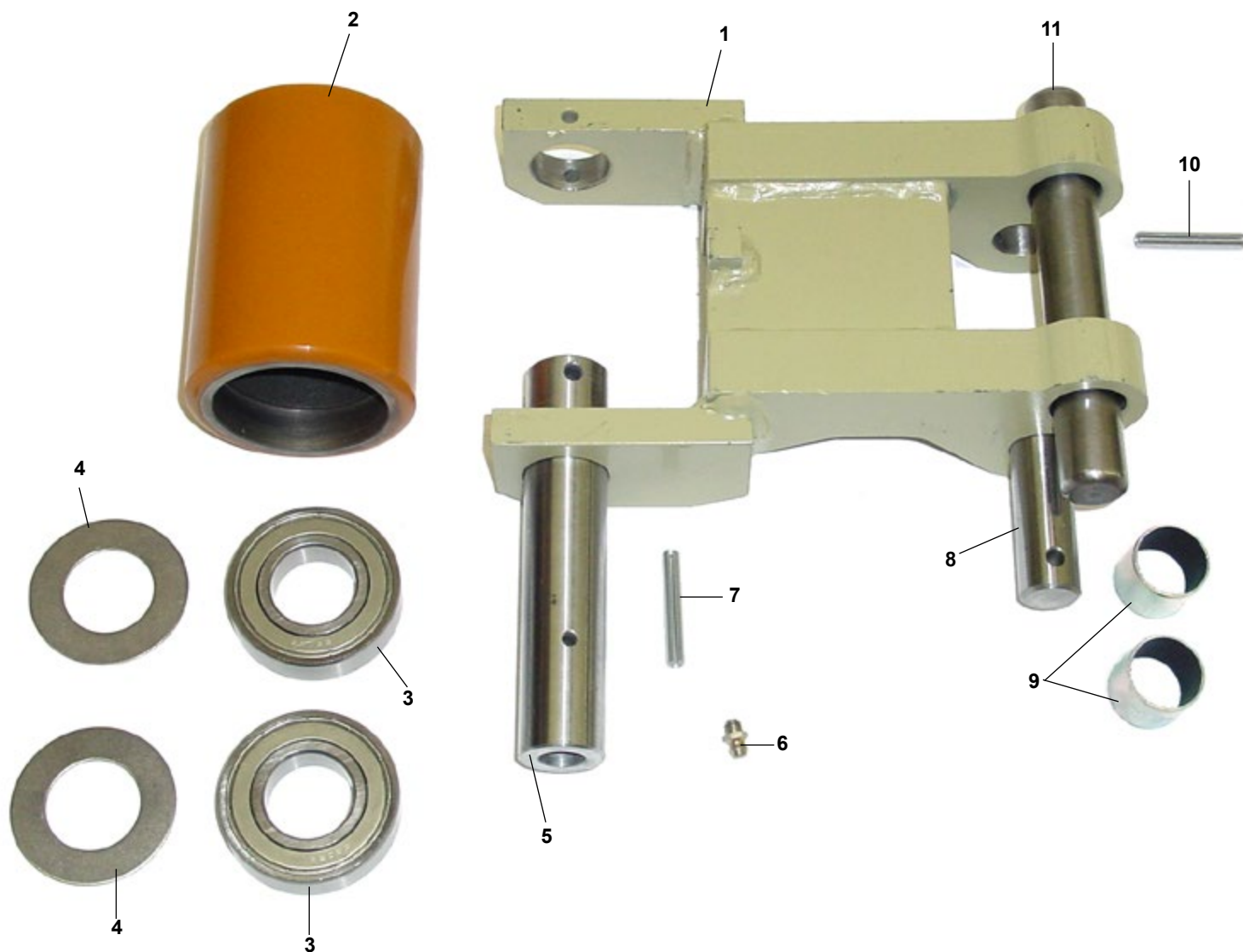
## Hydraulic - Lift Cylinder Assembly



## Hydraulic - Lift Cylinder Assembly

Item	Part No.	Description
1	CR 42147	Cylinder assembly
2	CR 42249	Seal kit

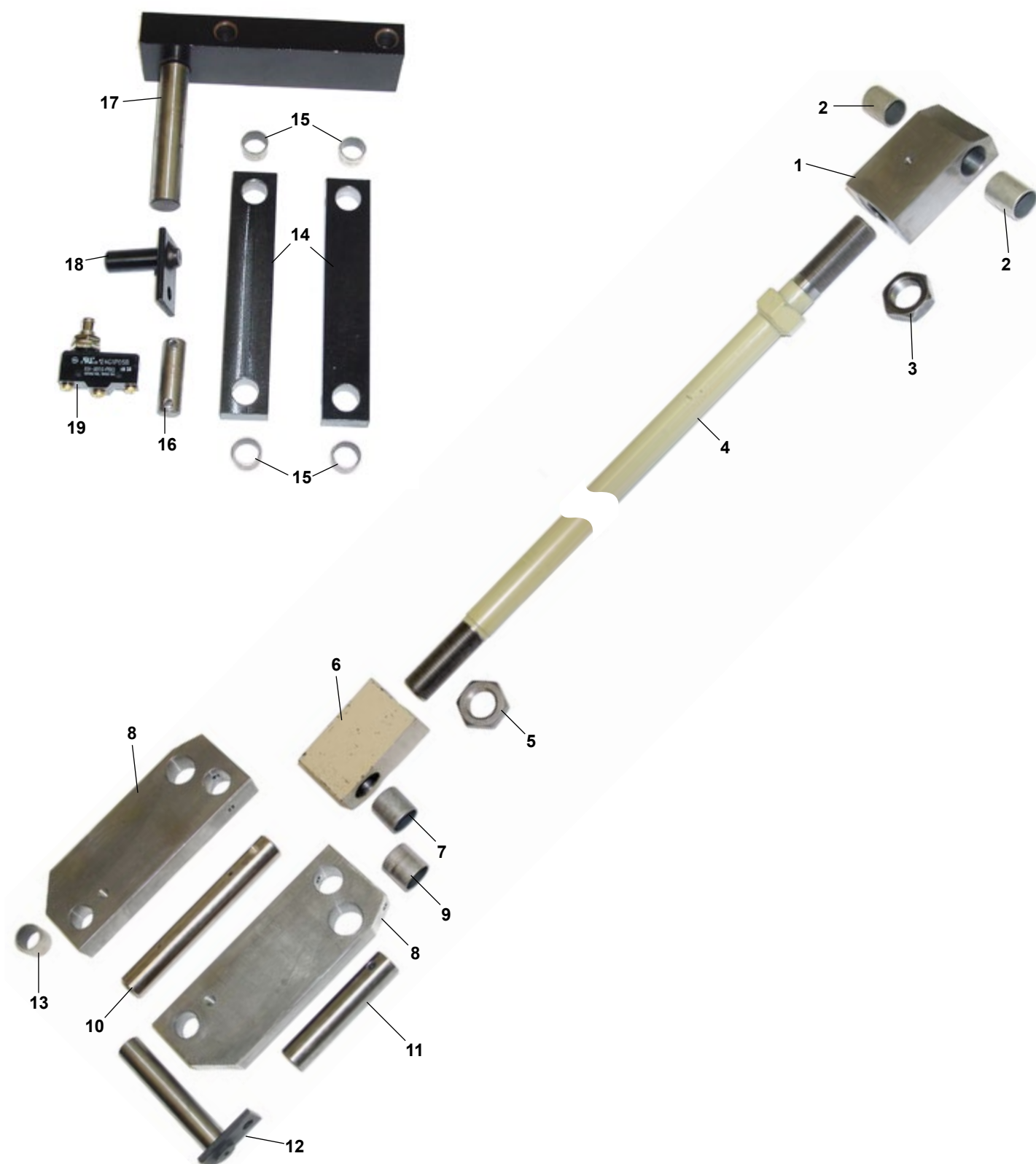
## Frame & Undercarriage - Riser Assembly



## Frame & Undercarriage - Riser Assembly

Item	Part No.	Description
1	CR 42198	Riser
2	CR 083970	Load wheel
	GW 9139	Poly load wheel, Scotch 95-A
	GW 9139-A	Poly load wheel assembly, incl. bearings
	<a href="#">GWK-GPW-LW</a>	Load Wheel Kit, Includes (2) Durarun Load Wheel Assemblies 95-A, with Axles, Bearings & Fasteners
	<a href="#">GWK-GPW-LW-XL</a>	Load Wheel Kit, Includes (2) Durarun Load Wheel Assemblies 97-A, with Axles, Bearings & Fasteners
(for a complete list of wheel options please refer to page 4-5)		
3	CR 065081-025	Bearing, 6206Z, 30mm
4	CR 084082	Spacer
5	CR 042203	Axle
	CR 042519	Axle, Freezer/corrosion
6	CR 054011-006	Lube fitting
7	CR 050000-026	Roll pin
8	CR 042213	Shaft
	CR 042521	Shaft, Freezer/corrosion
9	CR 042053-004	Bushing
10	CR 050000-026	Roll pin
11	CR 042214	Shaft

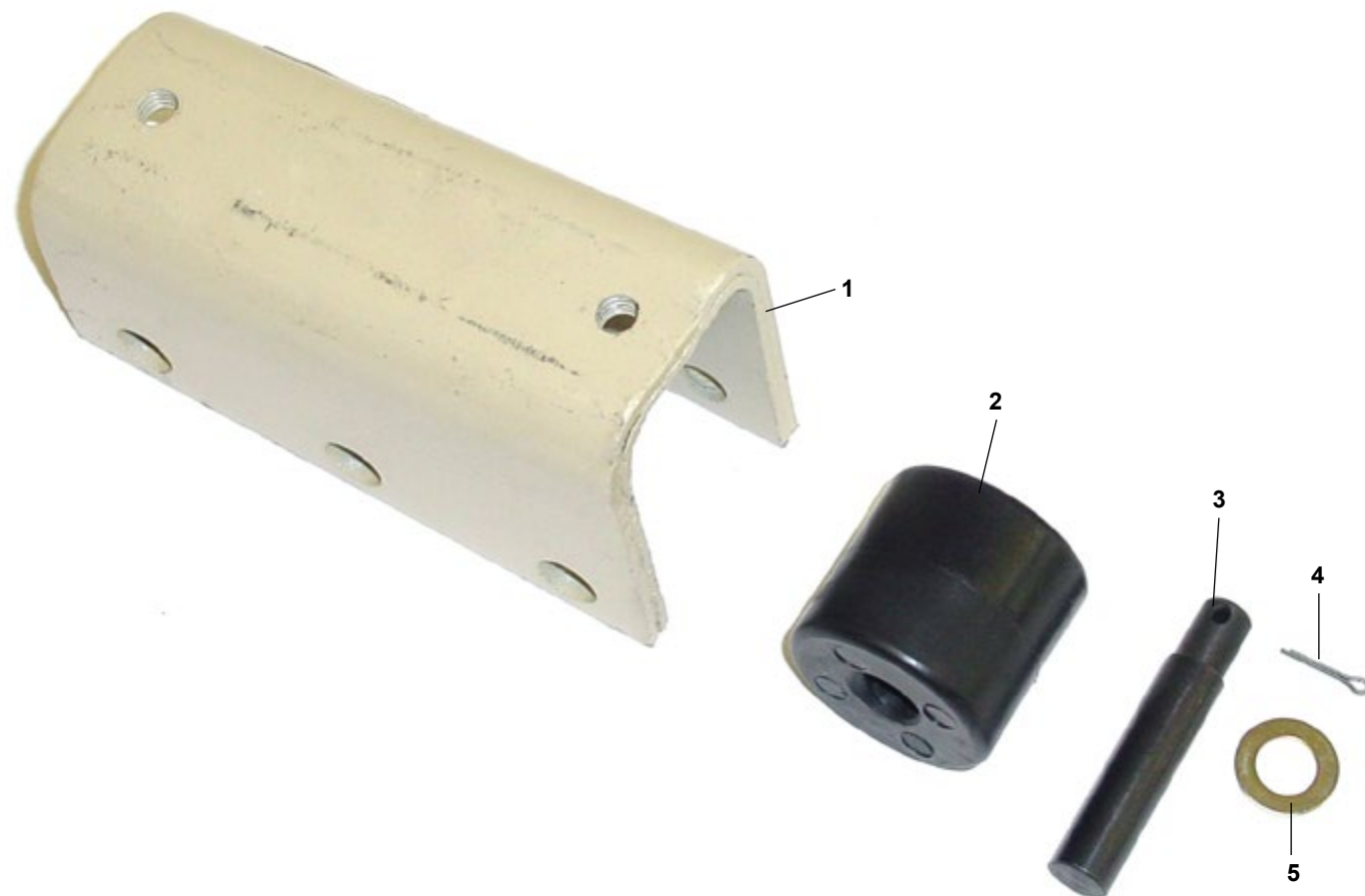
## Frame and Undercarriage - Lift Linkage



## Frame and Undercarriage - Lift Linkage

Item	Part No.	Description
1	CR 042139	Tension bar end
2	CR 042053-009	Bushing
3	CR 042132	Hex nut - right hand
4	CR 042135-007	Tension bar 24" (610mm), single wheel, 36" forks
	CR 042135-008	Tension bar 30.25" (770mm), single wheel, 42" forks
	CR 042135-010	Tension bar 36" (915mm), single wheel, 48" forks
5	CR 042138	Hex nut - left hand
6	CR 042140	Tension bar end
7	CR 042053-008	Bushing
8	CR 042189-002	Link, left or right
	CR 042189-001	Link, left or right
9	CR 042053-008	Bushing
10	CR 042190	Shaft
	CR 042516	Shaft, Freezer/corrosion
11	CR 042215	Shaft
	CR 042523	Shaft, Freezer/corrosion
12	CR 042192	Shaft
	CR 042517	Shaft, Freezer/corrosion
13	CR 042053-003	Bushing
14	CR 043248	Link, left or right
	CR 042184-001	Link, left or right
15	CR 042053-007	Bushing
16	CR 042183	Shaft, left or right
	CR 042513	Shaft, Freezer/corrosion
17	CR 043350	Shaft
	CR 043521	Shaft, Freezer/corrosion
18	CR 042185	Shaft
	CR 042514	Shaft, Freezer/corrosion
19	CR 077656	Limit switch

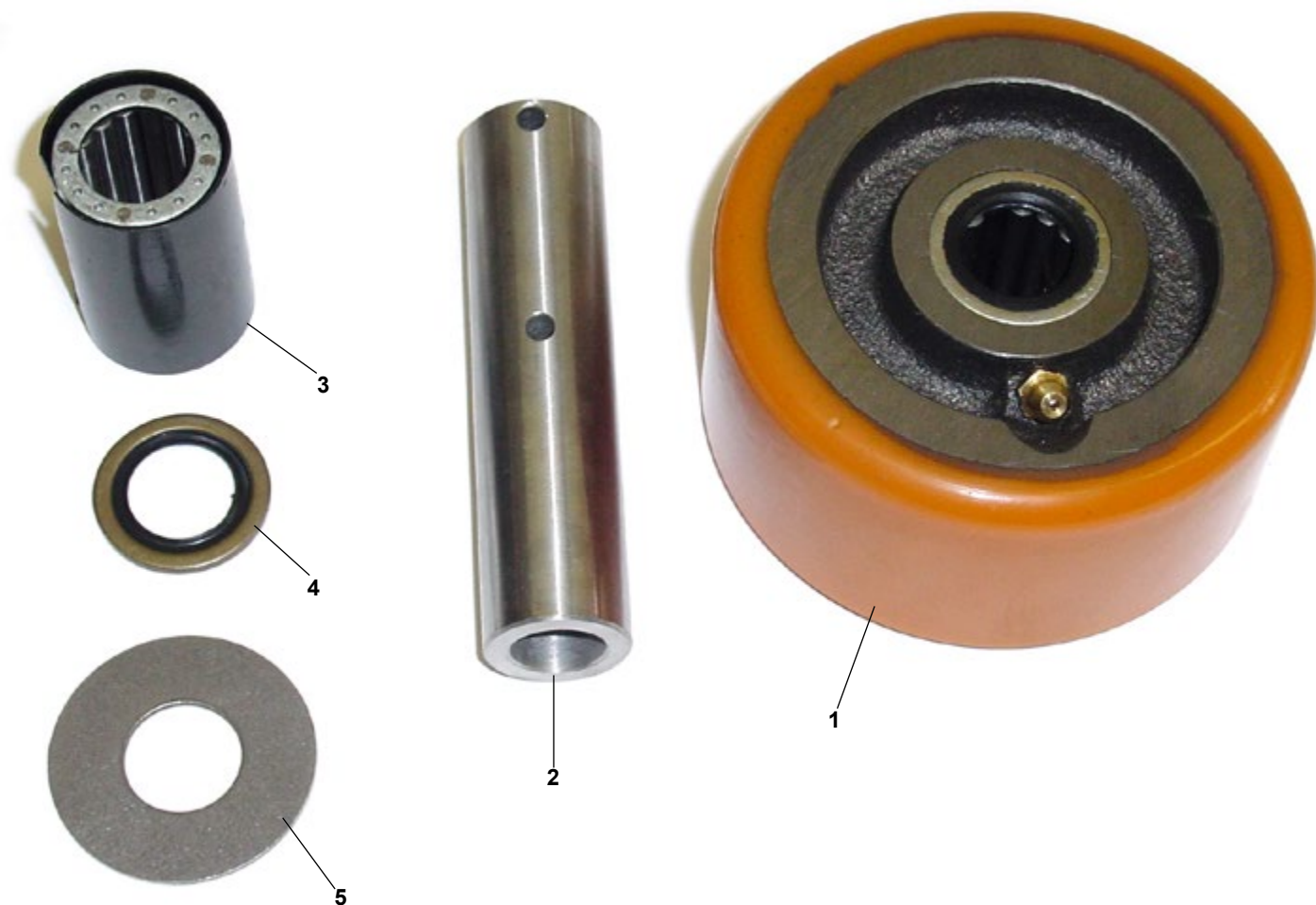
## Frame & Undercarriage - Entry Brackets/Rollers



## Frame & Undercarriage - Entry Brackets/Rollers

Item	Part No.	Description
1	CR 042237	Wheel bracket
2	CR 080192	Roller
3	CR 080191	Axle
4	CR 060038-006	Cotter pin
5	CR 060030-049	Flat washer

## Frame & Undercarriage - Casters



## Frame & Undercarriage - Casters

Item	Part No.	Description
1	CR 071894	Wheel assembly, incl. bearings
2	CR 042681	Axle
	CR 042886	Axle, Freezer/corrosion
3	CR 073894	Roller bearing
4	CR 073893	Bearing seal
5	CR 060030-013	Flat washer



**800-331-0839**

[www.GenericParts.com](http://www.GenericParts.com)