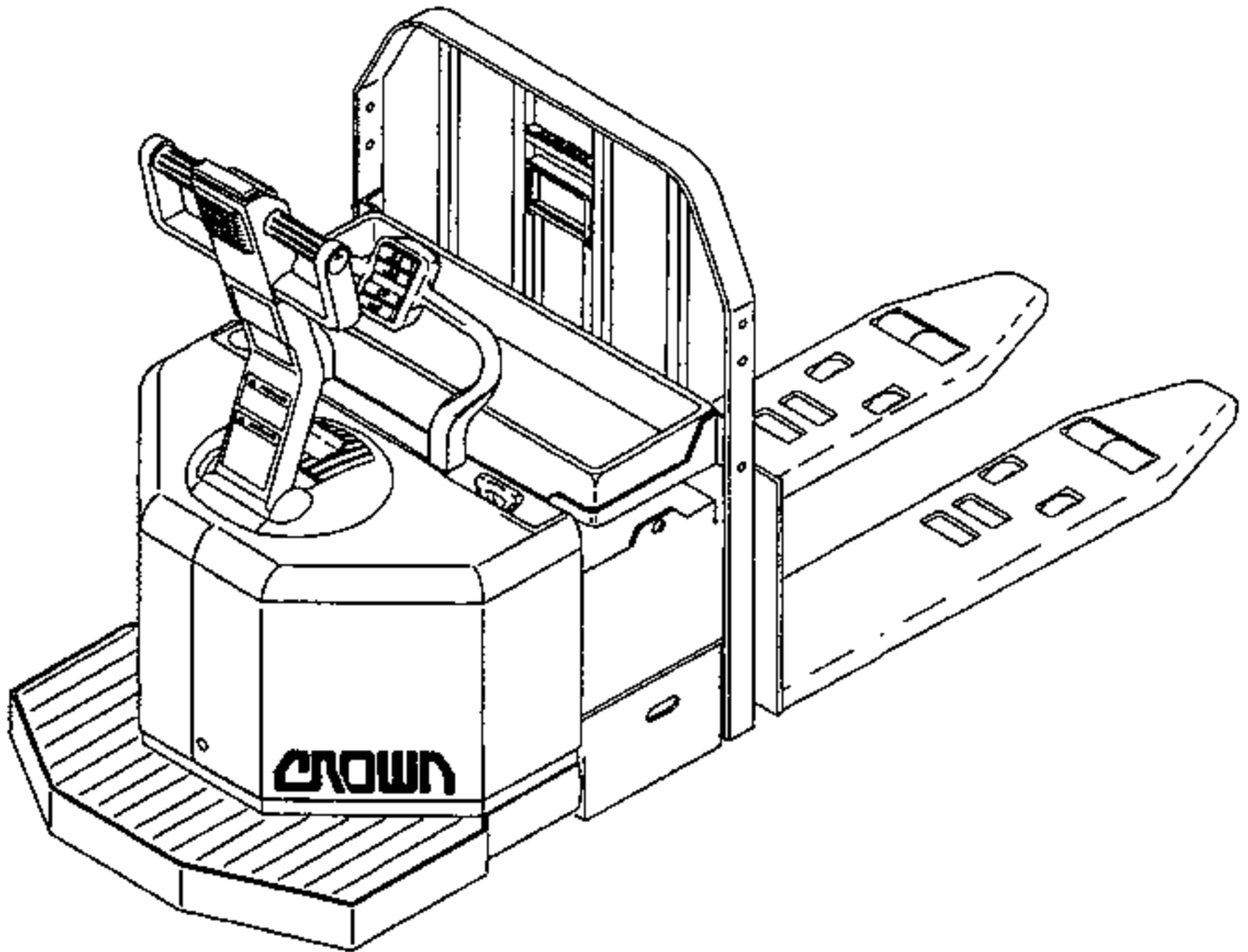


Replacement Parts for Crown PE 3000 Series



Truck Data Nomenclature

Standard/Special Truck

- = Standard; C = Custom; S = Special

Fork Width

Fork Length

Fork Tip

- = Standard; T = Tandem; E = Extended

Battery Compartment

N = Narrow 6.69" or 7.94" (170 or 200mm); W = Wide 13.19" (335mm)

Axle

- = Single; T = Tandem

Freezer/Corrosion

- = Without Conditioning; F = Freezer Condition; C = Corrosion Condition

Control

- = Resistor; C = Curtis Transistor; S = Sevcon Transistor

Casters

- = Standard; A = Quick Adjustment;
T = Quick Adjustment w/Torsion Bar

Drive Tires

| | |
|-------------------------------------|-------------------------|
| RU = Rubber, Black-Lugged | CP = Poly, Cream-Smooth |
| SR = Rubber, Black-Siped | ** = Special |
| WR = Rubber, White-Lugged | AP = 5.5" Wide Poly |
| LR = Rubber, Fiberglass impregnated | DP = Diamond Siped Poly |
| PO = Poly, Black-Smooth | HP = High Crown Poly |
| SP = Poly, Black-Siped | RP = Razor Siped Poly |
| GP = Poly, Black-Grooved | RL = Lugged Rubber |
| | RS = Smooth Rubber |

- 27 48 E W S - C T RU BD - A - R C

Meter Options

DM = Discharge Volt Meter
KE = Key Only
HM = Hour Meter
HD = Hour & Discharge Volt Meter
BD = Unigage (Integral Hour, Volt & Battery Interrupt)

Internal Hour Meter

- = Without Meter; I = Internal Hour Meter

Travel Alarm

- = Without Travel Alarm; A = Travel Alarm

Key/Toggle Switch

- = Key Switch; T = Toggle Switch

Battery Rollout

- = Without Battery Rollout; R = Battery Rollout;
I = Battery Rollout & Battery Retainer Switches

Storage Compartment

- = Without Storage; B = Storage Mounted on Load Backrest;
C = Storage Mounted on Battery Cover

Contents

| | |
|--------------------|---|
| Quick Wheel Lookup | 4 |
|--------------------|---|

Electrical

| | |
|--|----|
| Miscellaneous: Keys, Gauges, Connectors, Horn | 6 |
| Contactor Panel - Resistor (to S/N 132473) | 8 |
| Contactor Panel - Resistor (S/N 132473 and up) | 10 |
| Contactor Panel - Transistor (Curtis) | 12 |
| Contactor Panel - Transistor (Sevcon) | 14 |

Drive Unit/Brakes

| | |
|---------------------|----|
| Drive Unit Assembly | 16 |
| Drive Motor | 18 |
| Brakes | 20 |

Handle/Control Assembly

| | |
|--|----|
| Control Pod | |
| Resistor | 22 |
| Resistor - Quickpick | 24 |
| Resistor - Freezer Corrosion | 26 |
| Resistor - Quickpick and Freezer Corrosion | 28 |
| Transistor | 30 |
| Transistor - Quickpick | 32 |
| Transistor - Freezer Corrosion | 34 |
| Transistor - Quickpick and Freezer Corrosion | 36 |
| Handle Control Arm and Wiring Harness | 38 |
| Grab Bar and Mat | 40 |

Hydraulic

| | |
|---------------|----|
| Power Unit | 42 |
| Lift Cylinder | 44 |

Frame and Undercarriage

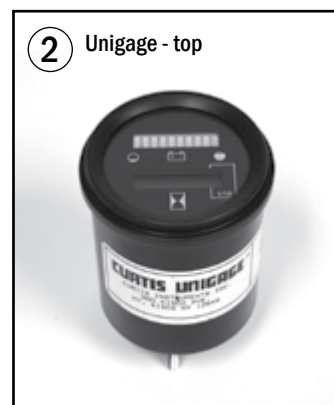
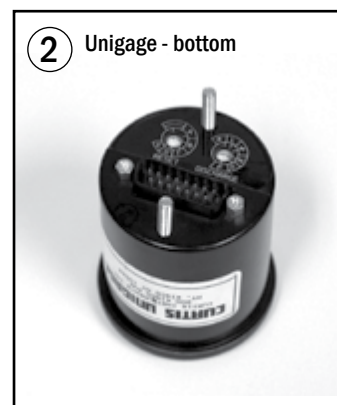
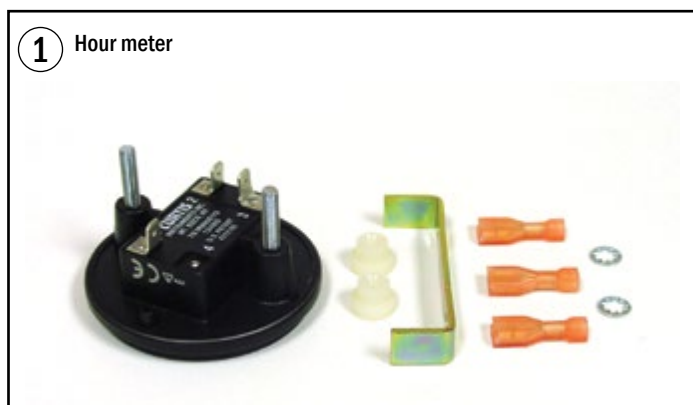
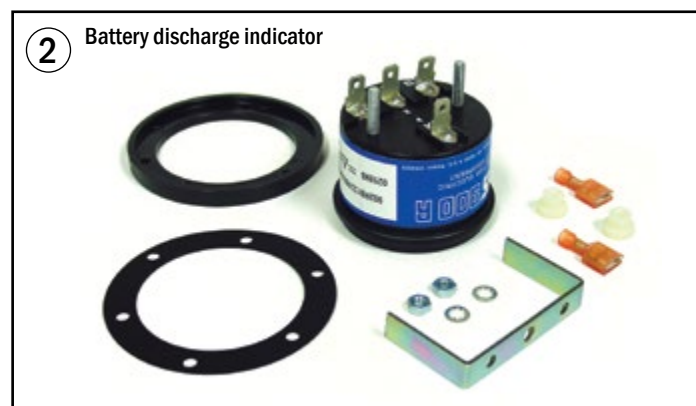
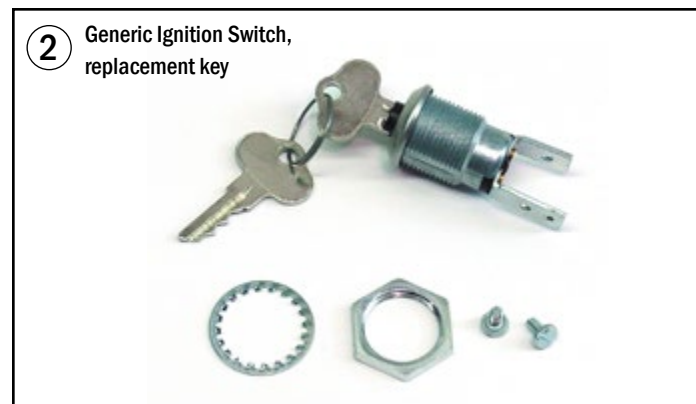
| | |
|---|----|
| Riser Assembly 9" and 10" Forks | |
| Single Wheel | 46 |
| Dual Wheels | 48 |
| Tandem Wheels | 50 |
| Riser Assembly 7" Forks - Tandem Wheels | 52 |
| Rear Lift Linkage | 54 |
| Tension Bars | 56 |
| Entry Bracket/Rollers | 58 |
| Casters - Standard | 60 |
| Casters - Quick Adjustment | 62 |

Quick Wheel Lookup

Quick Wheel Lookup

| OEM # | Wheel Type | Manuf. | Part # | Description | Wheel OD in/mm | Tread Width in/mm | Hub Width in/mm | Hub ID in/mm | Bearing OD in/mm | Bearing # | Material/ Color |
|---------------|--------------|----------|--------------------|-------------------------------|-------------------|----------------------|--------------------|-----------------|---------------------|--------------|--------------------|
| CR 100462 | Load Wheel | Generic | GW 9141 | Poly Load Wheel-Single | 3.250 / 83 | 6.500 / 165 | 6.500 / 165 | | 2.047 / 52 | 6205Z (4) | Scotch, 95-A |
| | Load Wheel | Superior | SU 9141 | Poly Load Wheel-Single | 3.250 / 83 | 6.500 / 165 | 6.500 / 165 | | 2.047 / 52 | 6205Z (4) | Maroon, 95-A |
| | Load Wheel | Superior | SU 9141-EZ | Poly Load Wheel-Single | 3.250 / 83 | 6.500 / 165 | 6.500 / 165 | | 2.047 / 52 | 6205Z (4) | Red, 85-A |
| | Load Wheel | Superior | SU 9141-XL | Poly Load Wheel-Single | 3.250 / 83 | 6.500 / 165 | 6.500 / 165 | | 2.047 / 52 | 6205Z (4) | Cream, 97-A |
| | Load Wheel | Falcon | FL 9136 | Poly Load Wheel-Single | 3.250 / 83 | 6.500 / 165 | 6.500 / 165 | | 2.047 / 52 | 6205Z (4) | Burgundy, 90-A |
| | Load Wheel | Falcon | FL 9136-HL | Poly Load Wheel-Single | 3.250 / 83 | 6.500 / 165 | 6.500 / 165 | | 2.047 / 52 | 6205Z (4) | Yellow, 95-A |
| | Load Wheel | Falcon | FL 9136-ML | Poly Load Wheel-Single | 3.250 / 83 | 6.500 / 165 | 6.500 / 165 | | 2.047 / 52 | 6205Z (4) | Green, 97-A |
| CR 77084 | Load Wheel | Generic | GW 9133 | Poly Load Wheel-Dual | 3.250 / 83 | 3.250 / 83 | 3.250 / 83 | | 2.047 / 52 | 6205Z | Scotch, 95-A |
| | Load Wheel | Superior | SU 9133 | Poly Load Wheel-Dual | 3.250 / 83 | 3.250 / 83 | 3.250 / 83 | | 2.047 / 52 | 6205Z | Maroon, 95-A |
| | Load Wheel | Superior | SU 9133-EZ | Poly Load Wheel-Dual | 3.250 / 83 | 3.250 / 83 | 3.250 / 83 | | 2.047 / 52 | 6205Z | Red, 85-A |
| | Load Wheel | Superior | SU 9133-XL | Poly Load Wheel-Dual | 3.250 / 83 | 3.250 / 83 | 3.250 / 83 | | 2.047 / 52 | 6205Z | Cream, 97-A |
| | Load Wheel | Falcon | FL 9133 | Poly Load Wheel-Dual | 3.250 / 83 | 3.250 / 83 | 3.250 / 83 | | 2.047 / 52 | 6205Z | Burgundy, 90-A |
| | Load Wheel | Falcon | FL 9133-HL | Poly Load Wheel-Dual | 3.250 / 83 | 3.250 / 83 | 3.250 / 83 | | 2.047 / 52 | 6205Z | Yellow, 95-A |
| | Load Wheel | Falcon | FL 9133-ML | Poly Load Wheel-Dual | 3.250 / 83 | 3.250 / 83 | 3.250 / 83 | | 2.047 / 52 | 6205Z | Green, 97-A |
| CR 77086 | Load Wheel | Generic | GW 9135 | Poly Load Wheel-Tandem | 3.250 / 83 | 5.000 / 127 | 5.000 / 127 | | 2.047 / 52 | 6205Z | Scotch, 95-A |
| | Load Wheel | Superior | SU 9135 | Poly Load Wheel-Tandem | 3.250 / 83 | 5.000 / 127 | 5.000 / 127 | | 2.047 / 52 | 6205Z | Maroon, 95-A |
| | Load Wheel | Superior | SU 9135-EZ | Poly Load Wheel-Tandem | 3.250 / 83 | 5.000 / 127 | 5.000 / 127 | | 2.047 / 52 | 6205Z | Red, 85-A |
| | Load Wheel | Superior | SU 9135-XL | Poly Load Wheel-Tandem | 3.250 / 83 | 5.000 / 127 | 5.000 / 127 | | 2.047 / 52 | 6205Z | Cream, 97-A |
| | Load Wheel | Falcon | FL 9135 | Poly Load Wheel-Tandem | 3.250 / 83 | 5.000 / 127 | 5.000 / 127 | | 2.047 / 52 | 6205Z | Burgundy, 90-A |
| | Load Wheel | Falcon | FL 9135-HL | Poly Load Wheel-Tandem | 3.250 / 83 | 5.000 / 127 | 5.000 / 127 | | 2.047 / 52 | 6205Z | Yellow, 95-A |
| | Load Wheel | Falcon | FL 9135-ML | Poly Load Wheel-Tandem | 3.250 / 83 | 5.000 / 127 | 5.000 / 127 | | 2.047 / 52 | 6205Z | Green, 97-A |
| CR 79494 | Drive Tire | Superior | SU 13x4.5x8-SF-P | Poly Drive Tire-Smooth Flat | 13 / 330 | 4.50 / 114 | | 8.00 / 203 | | | Maroon, 91-A |
| | Drive Tire | Superior | SU 13x4.5x8-SC-EZ | Poly Drive Tire-Smooth Crown | 13 / 330 | 4.50 / 114 | | 8.00 / 203 | | | Red, 85-A |
| | Drive Tire | Superior | SU 13x4.5x8-SC-XL | Poly Drive Tire-Smooth Crown | 13 / 330 | 4.50 / 114 | | 8.00 / 203 | | | Cream, 93-A |
| | Drive Tire | Falcon | TI 126 | Poly Drive Tire- Smooth Flat | 13 / 330 | 4.50 / 114 | | 8.00 / 203 | | | Burgundy, 90-A |
| CR 74458 | Drive Tire | Superior | SU 13.5x5.5x8-SF-R | Rubber Drive Tire-Smooth Flat | 13.50 / 343 | 5.50 / 140 | 8.00 / 203 | | | | Black |
| | Drive Tire | Falcon | RT 133 | Rubber Drive Tire-Smooth Flat | 13.50 / 343 | 5.50 / 140 | 8.00 / 203 | | | | Black |
| CR 82694-1 | Caster Assy | Superior | STR2001 | Standard | | | | | | | Maroon, 95-A |
| | Caster Assy | Superior | STR2001FS | Grease Axle, Zinc Plated | | | | | | | Cream, 97-A |
| CR 115374-001 | Caster Assy | OEM | CR 115374-001 | Quick Adj. W/ Torsion Bar | | | | | | | Set of 2 |
| CR 115374-002 | Caster Assy | OEM | CR 115374-002 | Quick Adj. W/O Torsion Bar | | | | | | | Set of 2 |
| CR 83179 | Caster Wheel | Generic | GW 9143 | Incl. Bearings, washers | 4.00 / 102 | 2.50 / 63 | | | | 6205Z | Scotch, 95-A |

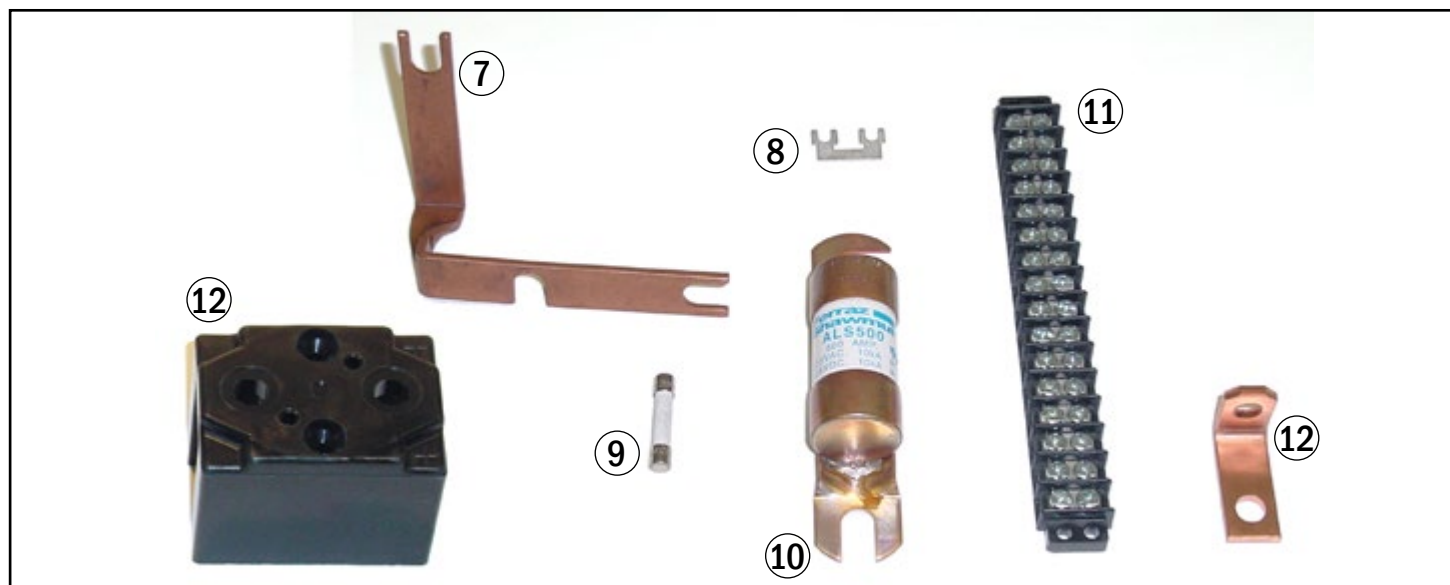
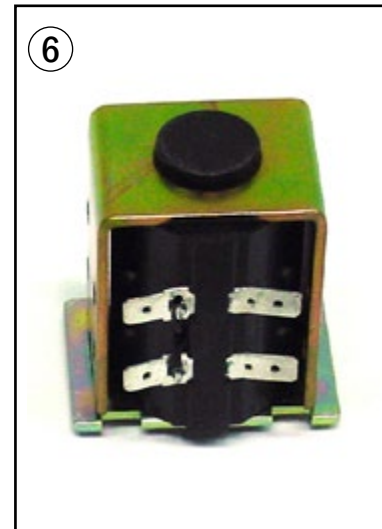
Miscellaneous



Miscellaneous

| Item | Part No. | Description |
|------|---------------------|--|
| 1 | CR 72708-OEM | Ignition switch, Original |
| | CR 107151-001-OEM | Replacement key, OEM molded key |
| | CR 107151-001-OEM-G | Replacement key, Non-molded, fits OEM ignition |
| 2 | CR 72708 | Ignition switch Generic |
| | CR 107151-001 | Replacement key, Fits Generic Ignition |
| 3 | CR 77917-002 | 175 Gray connector, w 1/0 Lug |
| | CR 77917-001 | 350 Gray connector, w 2/0 Lug |
| | CR 77917-005 | 50 Gray connector, w 6mm Lug |
| 4 | CR 115083 | Battery discharge indicator |
| 5 | CR 113773-001 | Hour meter, 3 Terminal, 9-60V |
| 6 | CR 115874 | Unigage, Battery discharge/hr. meter |
| 7 | CR 78708-4 | Horn, 24V |
| 8 | CR 121329-001 | Mat |

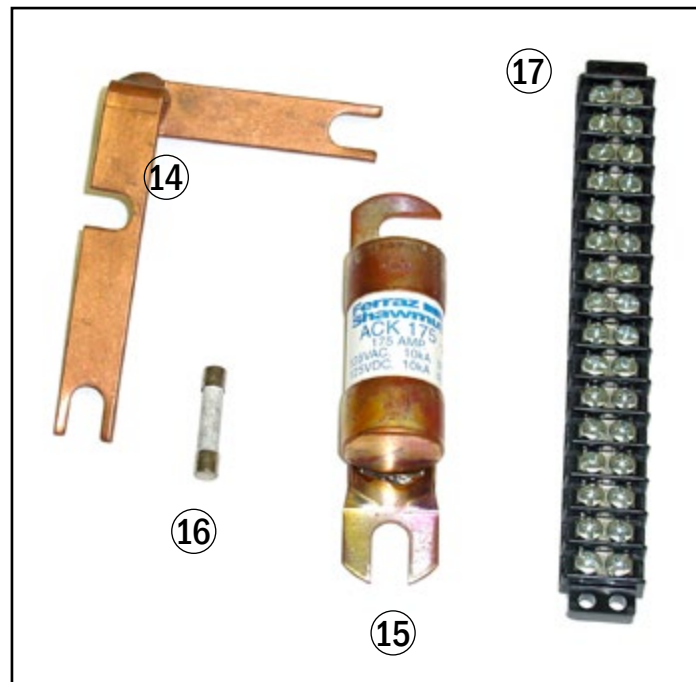
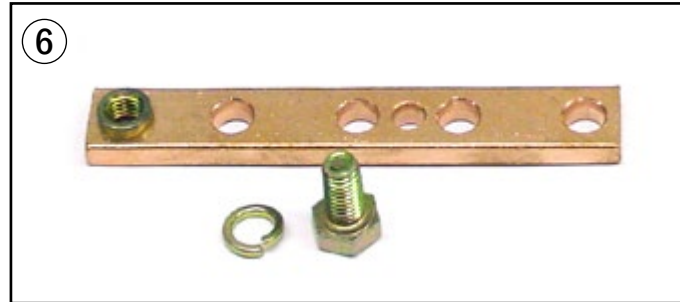
Contactor Panel - Resistor (to S/N 132472)



Contactor Panel - Resistor (to S/N 132472)

| Item | Part No. | Description |
|------|-------------------|--------------------------------|
| 1 | CR 116794-003 | Contactor, forward and reverse |
| 2 | CR 116794-003-KIT | Contactor Kit |
| 3 | CR 110613-003 | Contactor, 2nd and 3rd speed |
| 4 | CR 117162 | Contact tip kit |
| 5 | CR 117160 | Coil, 24V, 2nd and 3rd speed |
| 6 | CR 116785 | Bus bar |
| 7 | CR 112230 | Bus bar |
| 8 | CR 094362-002 | Fuse, 15A |
| 9 | CR 076924-006 | Fuse, 175A |
| 10 | CR 079564-011 | Terminal |
| 11 | CR 087652 | Bus bar |
| 12 | CR 114436 | Top cover |

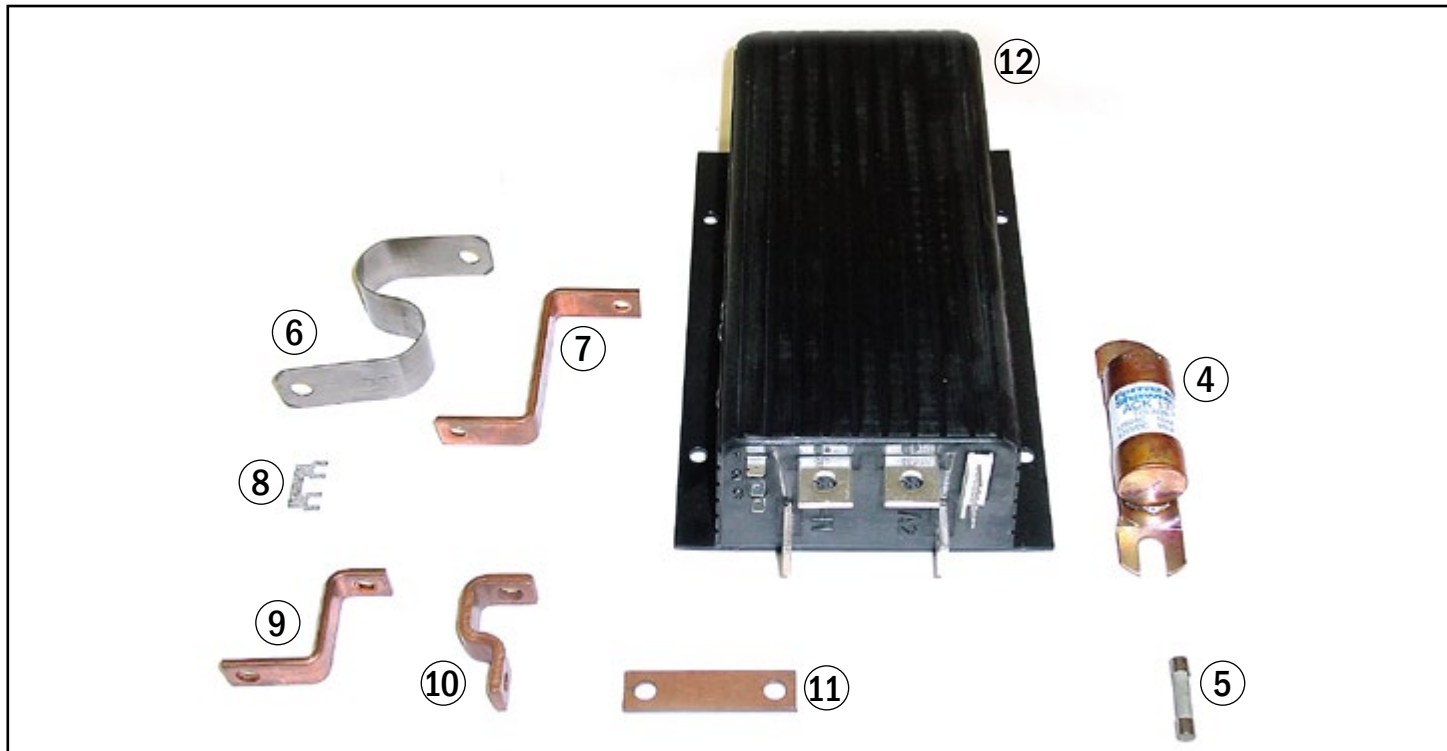
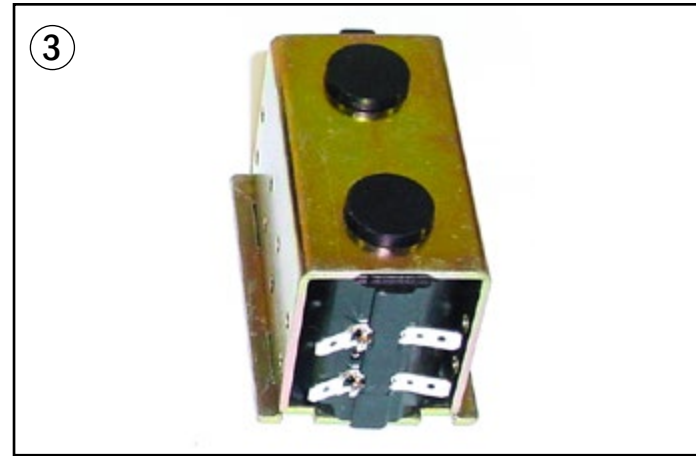
Contactor Panel - Resistor (S/N 132472 and up)



Contactor Panel - Resistor (S/N 132472 and up)

| Item | Part No. | Description |
|------|---------------|------------------------------------|
| 1 | CR 123470-003 | Contactor, forward and reverse |
| 2 | CR 060063-006 | Screw |
| 3 | CR 050010-020 | Lockwasher |
| 4 | CR 126123 | Return spring, two included |
| 5 | CR 107348 | Moving contact, two included |
| 6 | CR 126124 | Fixed contact |
| 7 | CR 119130 | Insulator, two included |
| 8 | CR 110613-003 | Contactor A & B, 2nd and 3rd speed |
| 9 | CR 117157 | Fixed contact |
| 10 | CR 117158 | Moving contact |
| 11 | CR 114436 | Top cover |
| 12 | CR 117159 | Return spring |
| 13 | CR 123601 | Bushing |
| 14 | CR 116785 | Bus bar |
| 15 | CR 076924-006 | Fuse, 175A |
| 16 | CR 094362-002 | Fuse, 15A |
| 17 | CR 079564-011 | Terminal block |

Contactor Panel - Transistor (Curtis)

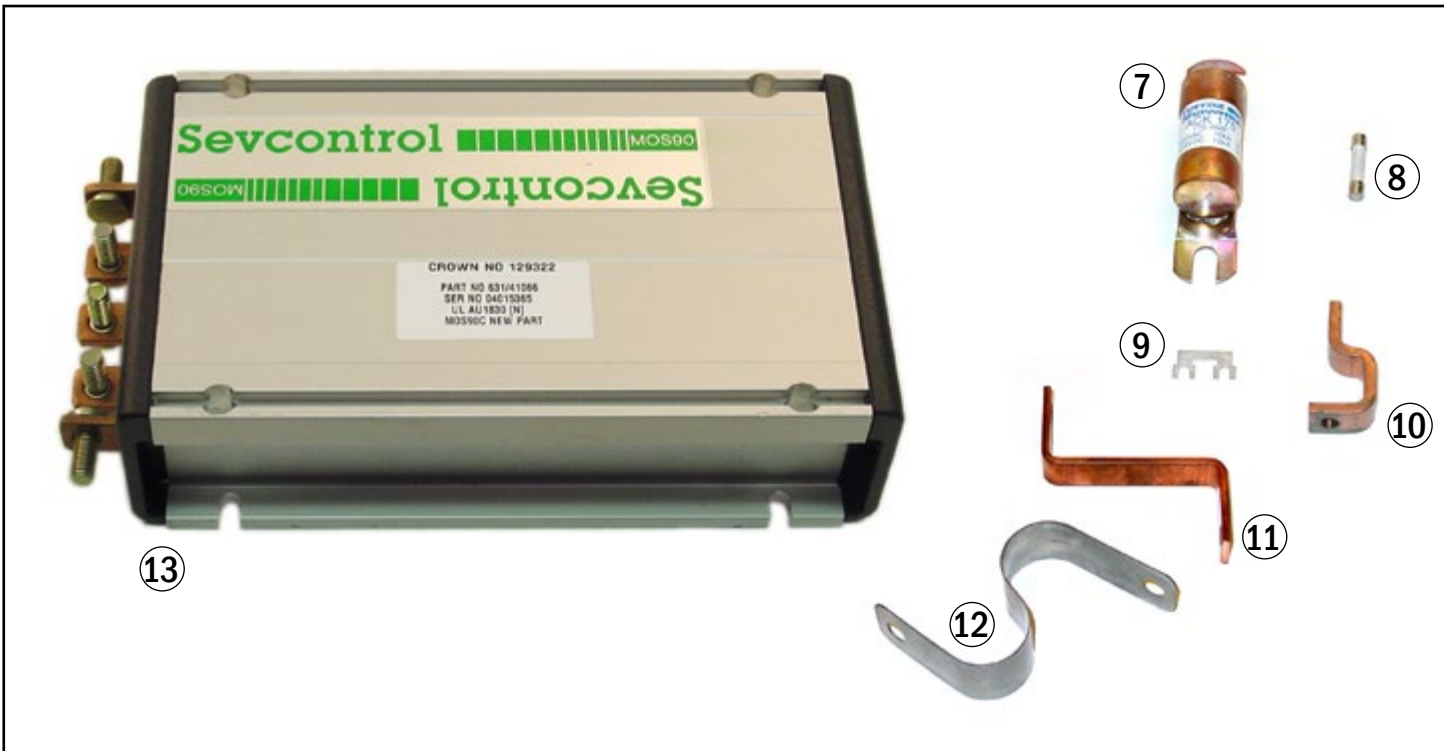
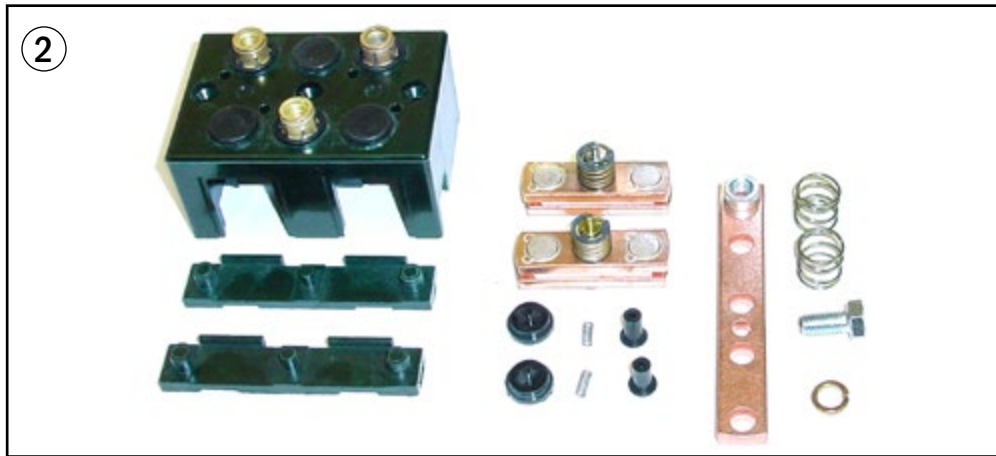


Contactor Panel - Transistor (Curtis)

| Item | Part No. | Description |
|------|----------------------------|---|
| 1 | CR 116794-002 | Contactor, forward and reverse |
| 2 | CR 116794-002-KIT | Contactor Kit, incl. tips & tops |
| 3 | CR 117156 | Coil, 24V |
| 4 | CR 076924-006 | Fuse, 175A |
| 5 | CR 094362-002 | Fuse, 15A |
| 6 | CR 116594 | Resistor |
| 7 | CR 116550 | Bus bar |
| 8 | CR 112230 | Bus bar |
| 9 | CR 116596 | Bus bar |
| 10 | CR 116798 | Bus bar |
| 11 | CR 116595 | Bus bar |
| 12 | CR 123813-R CR 123813-C | Controller - rebuilt*, Curtis Core deposit |

* Pricing based on return of rebuildable core.

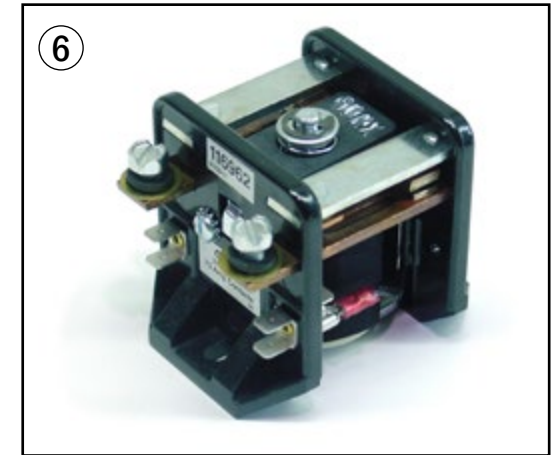
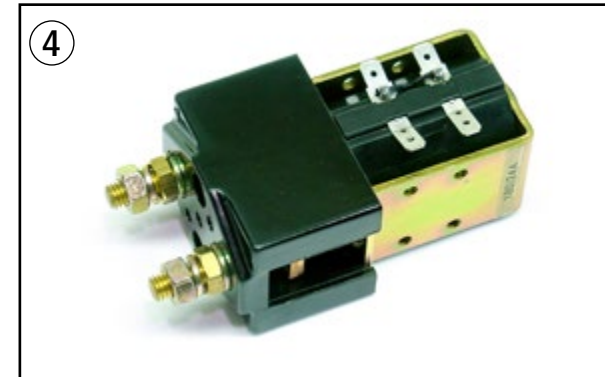
Contactor Panel - Transistor (SEVCON)



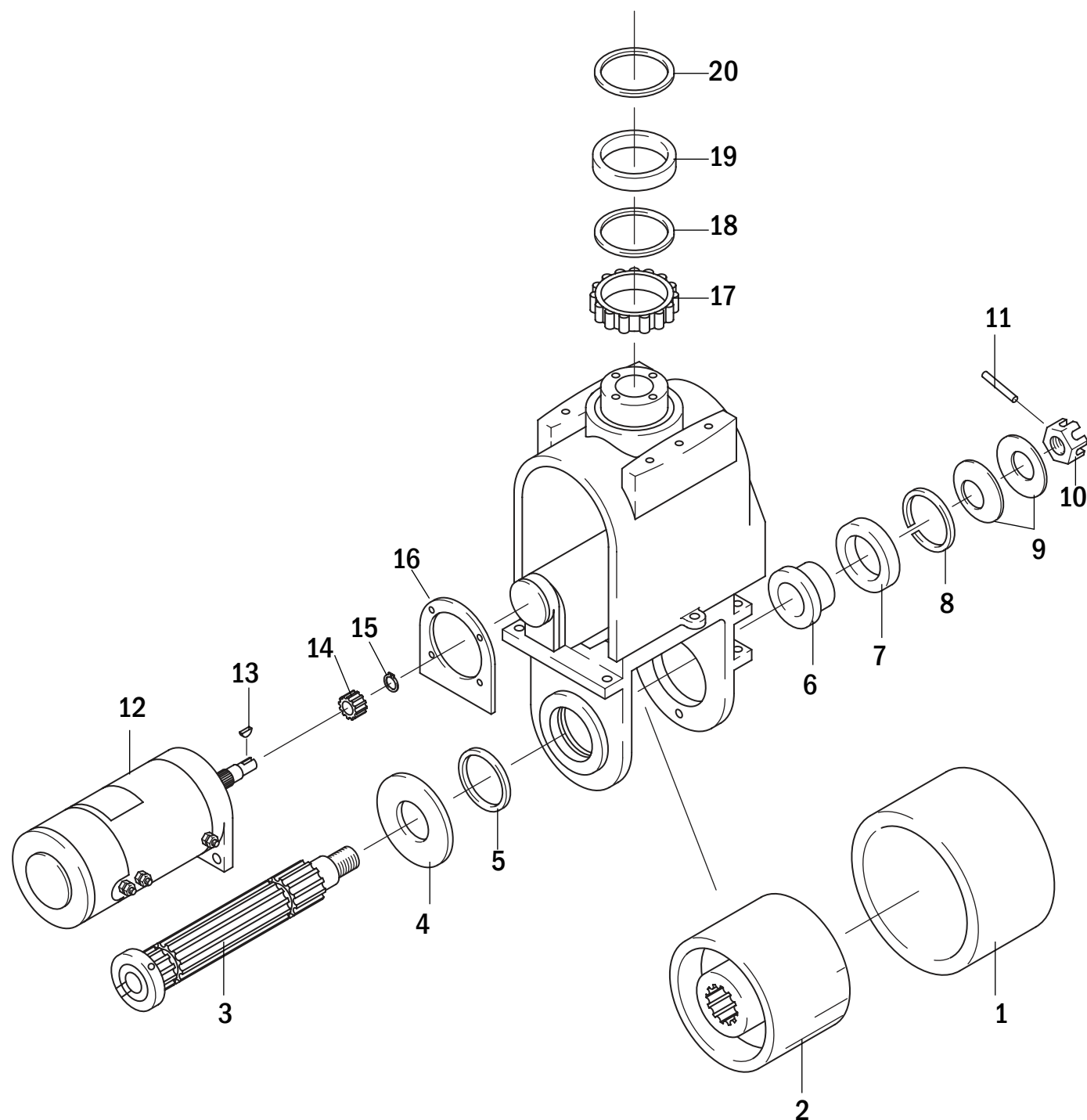
Contactor Panel - Transistor (SEVCON)

| Item | Part No. | Description |
|------|----------------------------|---|
| 1 | CR 116794-002 | Contactor, forward and reverse |
| 2 | CR 116794-002-KIT | Contactor Kit, incl. tips & tops |
| 3 | CR 117156 | Coil, 24V |
| 4 | CR 110613-001 | Contactor |
| 5 | CR 120091 | Contact tip Kit |
| 6 | CR 116962 | Contactor FW, High speed option |
| 7 | CR 076924-006 | Fuse, 175A |
| 8 | CR 094362-002 | Fuse, 15A |
| 9 | CR 112230 | Bus bar |
| 10 | CR 116798 | Bus bar |
| 11 | CR 116550 | Bus bar |
| 12 | CR 116594 | Resistor |
| 13 | CR 121824-R CR 121824-C | Controller - rebuilt*, Sevcon Core deposit |

* Pricing based on return of rebuildable core.



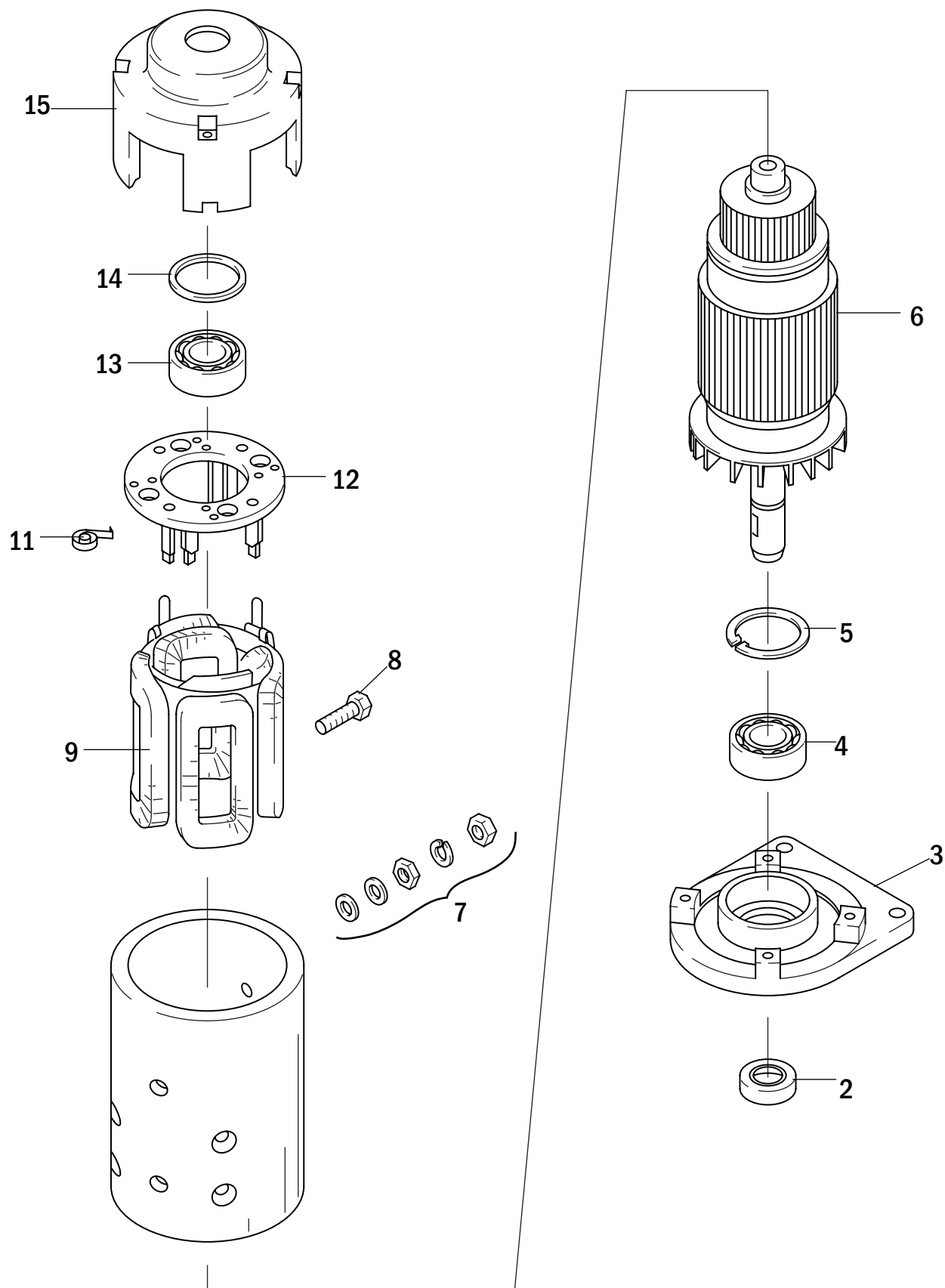
Drive Unit



Drive Unit

| Item | Part No. | Description |
|------|--------------------|--|
| 1 | CR 79494 | Poly drive tire, 13" x 4.5" x 8" |
| | SU 13x4.5x8-FT-P | Poly drive tire, 95-A, smooth flat |
| | SU 13x4.5x8-SC-EZ | Poly drive tire, 85-A, smooth Crown |
| | SU 13x4.5x8-SC-XL | Poly drive tire, 97-A, smooth Crown |
| | FL TI126 | Poly drive tire, 90-A, smooth flat |
| | CR 74458 | Rubber drive tire, 13.5" x 5.5" x 8" |
| | SU 13.5x5.5x8-SF-R | Rubber drive tire, Smooth, flat |
| | FL RT133 | Rubber drive tire, Smooth, flat |
| 2 | CR 113361 | Drive Wheel hub, 8" x 5.5" |
| 3 | CR 113356 | Drive axle |
| 4 | CR 90724 | Slinger |
| 5 | CR 93613 | Oil Seal |
| 6 | CR 113359-001 | Adaptor bearing |
| 7 | CR 65081-055 | Ball bearing |
| 8 | CR 60009-040 | Retaining ring |
| 9 | CR 113367 | Beveled washer |
| 10 | CR 60021-039 | Nut |
| 11 | CR 60000-022 | Roll pin |
| 12 | CR 20168 | Drive motor - Generic (see drive motor section for replacement parts) |
| 13 | CR 61008-002 | Woodruff key |
| 14 | CR 74784 | Pinion gear |
| | CR 79497 | Pinion gear, w/high speed option |
| 15 | CR 60009-011 | Retaining ring |
| 16 | CR 73432 | Gasket |
| 17 | CR 77015 | Bearing cone |
| 18 | CR 73817 | Felt seal |
| 19 | CR 77014 | Bearing cup |
| 20 | CR 73818 | Felt seal |

Drive Motor



Drive Motor

| Item | Part No. | Description |
|------|--------------|--|
| 1 | CR 20168 | Drive Motor - Generic, OEM Motor parts |
| 2 | CR 78499 | Oil seal, OEM Motor parts |
| 3 | CR 20157 | Head, OEM Motor parts |
| 4 | CR 65081-052 | Bearing, OEM Motor parts |
| 5 | CR 60009-144 | Retaining ring, OEM Motor parts |
| 6 | CR 20167 | Armature, OEM Motor parts |
| 7 | CR 113327 | Terminal stud kit, OEM Motor parts |
| 8 | CR 60078-003 | Screw, OEM Motor parts |
| 9 | CR 20165 | Field coil, OEM Motor parts |
| 10 | CR 113328 | Brush set (4), OEM Motor parts |
| 11 | CR 113329 | Spring set (4), OEM Motor parts |
| 12 | CR 20018 | Brush holder, OEM Motor parts |
| 13 | CR 65081-051 | Bearing, OEM Motor parts |
| 14 | CR 60046-016 | Washer spring, OEM Motor parts |
| 15 | CR 20004 | Communtator end head, OEM Motor parts |

Brakes



Brakes

| Item | Part No. | Description |
|------|-----------|--------------------------|
| 1 | CR 73374 | Switch |
| 2 | CR 109597 | Brake shoe, non-asbestos |
| 3 | CR 80968 | Brake drum |

Resistor Control Pod



Resistor Control Pod

| Item | Part No. | Description |
|------|---------------|--------------------------|
| 1 | CR 115331 | Yoke |
| 2 | CR 089317 | Pod |
| 3 | CR 115675 | Grip |
| 4 | CR 060000-108 | Roll pin |
| 5 | CR 093904-001 | Cap button |
| 6 | CR 089324-001 | Red body button |
| 7 | CR 088975 | Bellow |
| 8 | CR 060032-035 | Self tapping screw |
| 9 | CR 093068 | Retainer |
| 10 | CR 080695 | Spring |
| 11 | CR 060032-032 | Self tapping screw |
| 12 | CR 060012-023 | Screw #6 |
| 13 | CR 073375 | Switch |
| 14 | CR 089521 | Bar |
| 15 | CR 092224 | Split bushing |
| 16 | CR 060030-163 | Flat washer |
| 17 | CR 089510 | Bushing |
| 18 | CR 065003-017 | Sleeving |
| 19 | CR 073371 | Spring |
| 20 | CR 092586 | Arm detent |
| 21 | CR 060000-075 | Roll pin |
| 22 | CR 060032-037 | Self tapping screw |
| 23 | CR 087144 | Cover |
| 24 | CR 114003 | Insulator |
| 25 | CR 116329 | Extension |
| 26 | CR 089342 | Spacer |
| 27 | CR 089362 | Switch |
| 28 | CR 089336 | Bracket |
| 29 | CR 060014-006 | Screw #10 |
| 30 | CR 060011-022 | Screw #4 |
| 31 | CR 089298-002 | Rod |
| 32 | CR 060030-190 | Flatwasher .03" thick |
| 33 | CR 089356 | Cam |
| 34 | CR 089543 | Cam |
| 35 | CR 089514 | Plate |
| 36 | CR 088611-002 | Collar |
| 37 | CR 089360 | Torsion Spring |
| 38 | CR 089350 | Stop |

| Item | Part No. | Description |
|------|---------------|------------------|
| 39 | CR 060011-027 | Screw #4 |
| 40 | CR 060011-021 | Screw #4 |
| 41 | CR 089362 | Switch |
| 42 | CR 088753-001 | Cover unit |
| 43 | CR 117267-002 | Lower button |
| 44 | CR 117267-001 | Raise button |
| 45 | CR 117267-003 | Horn button |
| 46 | CR 117268 | Switch 3rd speed |
| 47 | CR 073384 | Spring |

Resistor - Quickpick

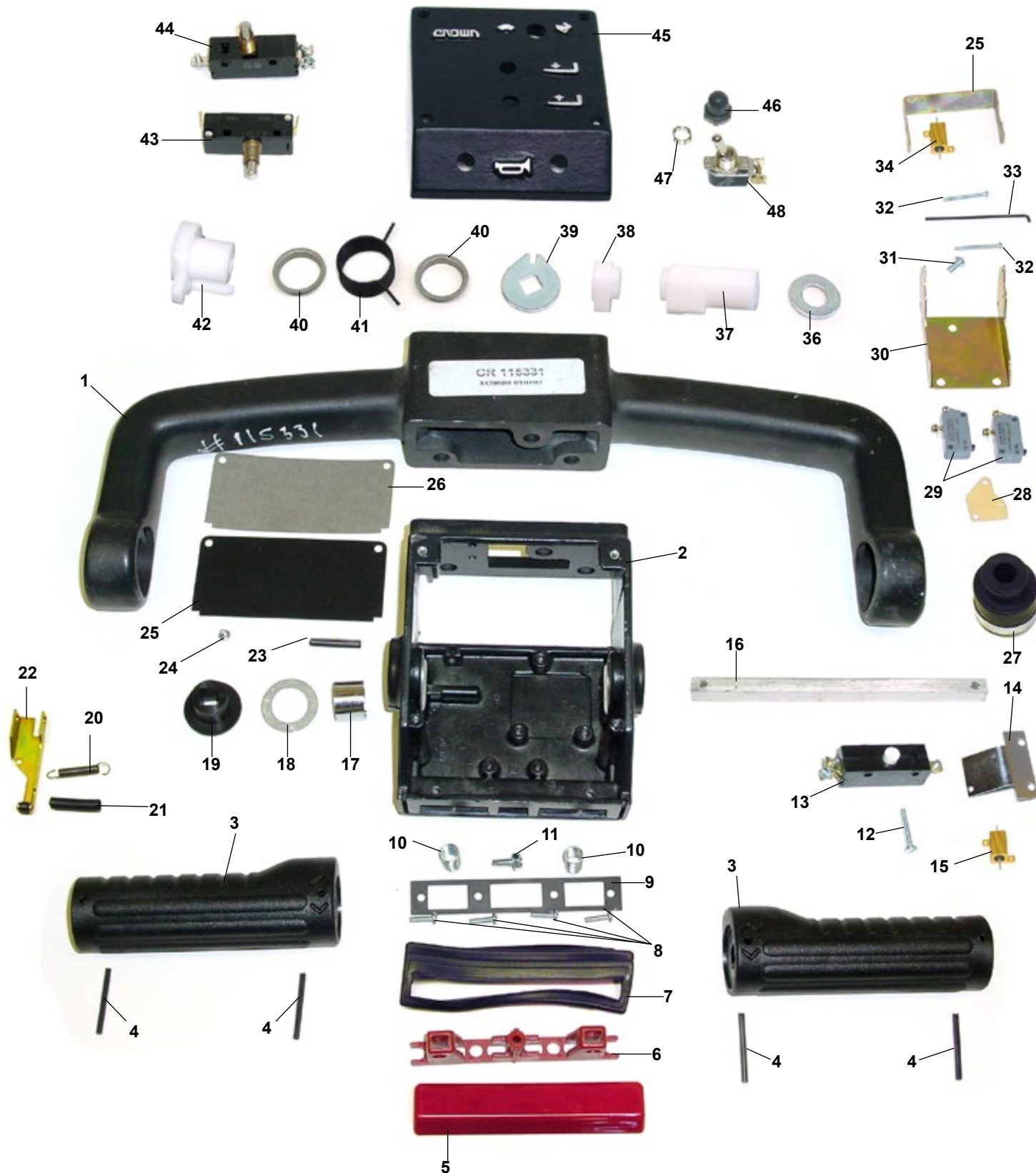


Resistor - Quickpick

| Item | Part No. | Description |
|------|---------------|--------------------|
| 1 | CR 113387 | Yoke |
| 2 | CR 089317 | Pod |
| 3 | CR 115675 | Grip |
| 4 | CR 060000-108 | Roll pin |
| 5 | CR 093904-001 | Cap button |
| 6 | CR 089324-001 | Red body button |
| 7 | CR 088975 | Bellow |
| 8 | CR 060032-035 | Self tapping screw |
| 9 | CR 093068 | Retainer |
| 10 | CR 080695 | Spring |
| 11 | CR 060032-032 | Self tapping screw |
| 12 | CR 060012-023 | Screw #6 |
| 13 | CR 073375 | Switch |
| 14 | CR 089521 | Bar |
| 15 | CR 092224 | Split bushing |
| 16 | CR 060030-163 | Flat washer |
| 17 | CR 089510 | Bushing |
| 18 | CR 087144 | Cover |
| 19 | CR 114003 | Insulator |
| 20 | CR 060032-037 | Self tapping screw |
| 21 | CR 060000-075 | Roll pin |
| 22 | CR 113425-001 | Cover, left |
| 23 | CR 113425-002 | Cover, right |
| 24 | CR 117269 | Outer Button |
| 25 | CR 108693 | Spring |
| 26 | CR 089362 | Switch |
| 27 | CR 089362 | Switch |
| 28 | CR 113432 | Insulator |
| 29 | CR 113434 | Insulator |
| 30 | CR 060045-020 | Shoulder belt |
| 31 | CR 117270 | Button |
| 32 | CR 073384 | Spring |
| 33 | CR 115676 | Extension |
| 34 | CR 113431 | Insulator |
| 35 | CR 113433 | Insulator |
| 36 | CR 089362 | Switch |
| 37 | CR 089362 | Switch |
| 38 | CR 089342 | Spacer |
| 39 | CR 113352 | Switch |

| Item | Part No. | Description |
|------|---------------|-----------------------|
| 40 | CR 089336 | Bracket |
| 41 | CR 060014-006 | Screw #10 |
| 42 | CR 060011-022 | Screw #4 |
| 43 | CR 089298-002 | Rod |
| 44 | CR 060030-190 | Flatwasher .03" thick |
| 45 | CR 089356 | Cam |
| 46 | CR 089543 | Cam |
| 47 | CR 089514 | Plate |
| 48 | CR 088611-002 | Collar |
| 49 | CR 089360 | Torsion spring |
| 50 | CR 089350 | Stop |
| 51 | CR 118901 | Switch |
| 52 | CR 088753-003 | Cover |
| 53 | CR 117267-002 | Lower button |
| 54 | CR 117267-001 | Raise button |
| 55 | CR 117267-003 | Horn button |
| 56 | CR 73384 | Spring |
| 57 | CR 092586 | Arm detent |
| 58 | CR 073371 | Spring |
| 59 | CR 065003-017 | Sleeving |

Resistor - Freezer Corrosion



Resistor - Freezer Corrosion

| Item | Part No. | Description |
|------|---------------|------------------------|
| 1 | CR 115331 | Yoke |
| 2 | CR 089317 | Pod |
| 3 | CR 115675 | Grip |
| 4 | CR 060000-108 | Roll pin |
| 5 | CR 093904-001 | Cap button |
| 6 | CR 089324-001 | Red button body |
| 7 | CR 088975 | Bellow |
| 8 | CR 060032-035 | Self tapping screw |
| 9 | CR 093068 | Retainer |
| 10 | CR 080695 | Spring |
| 11 | CR 060032-032 | Self tapping screw |
| 12 | CR 060012-023 | Screw #6 |
| 13 | CR 073375 | Switch |
| 14 | CR 93887 | Bracket mounting |
| 15 | CR 062033-013 | Resistor |
| 16 | CR 089521 | Bar |
| 17 | CR 092224 | Split bushing |
| 18 | CR 060030-163 | Flat washer |
| 19 | CR 089510 | Bushing |
| 20 | CR 073371 | Spring |
| 21 | CR 065003-017 | Sleeving |
| 22 | CR 092586 | Arm detent |
| 23 | CR 060000-075 | Roll pin |
| 24 | CR 060032-037 | Self tapping screw |
| 25 | CR 087144 | Cover |
| 26 | CR 114003 | Insulator |
| 27 | CR 116329 | Extension |
| 28 | CR 089342 | Spacer |
| 29 | CR 089362 | Switch |
| 30 | CR 089336 | Bracket |
| 31 | CR 060014-006 | Screw #10 |
| 32 | CR 060011-022 | Screw #4 |
| 33 | CR 089298-002 | Rod |
| 34 | CR 062033-013 | Resistor, 24V |
| 35 | CR 093492-001 | Bracket |
| 36 | CR 060030-190 | Flatwasher, .03" thick |
| 37 | CR 089356 | Cam |
| 38 | CR 089543 | Cam |
| 39 | CR 089514 | Plate |

| Item | Part No. | Description |
|------|---------------|-------------------------|
| 40 | CR 088611-002 | Collar |
| 41 | CR 089360 | Torsion spring |
| 42 | CR 089350 | Stop |
| 43 | CR 101589 | Switch, horn |
| 44 | CR 078879 | Switch, lower and raise |
| 45 | CR 102525-001 | Cover |
| 46 | CR 075585 | Seal |
| 47 | CR 077635 | Adaptor |
| 48 | CR 077633 | Toggle switch |

Resistor Quickpick - Freezer Corrosion



Resistor Quickpick - Freezer Corrosion

| Item | Part No. | Description |
|------|---------------|--------------------|
| 1 | CR 113387 | Yoke |
| 2 | CR 089317 | Pod |
| 3 | CR 115675 | Grip |
| 4 | CR 060000-108 | Roll pin |
| 5 | CR 093904-001 | Cap button |
| 6 | CR 089324-001 | Red body button |
| 7 | CR 088975 | Bellow |
| 8 | CR 060032-035 | Self tapping screw |
| 9 | CR 093068 | Retainer |
| 10 | CR 080695 | Spring |
| 11 | CR 060032-032 | Self tapping screw |
| 12 | CR 060012-023 | Screw #6 |
| 13 | CR 073375 | Switch |
| 14 | CR 093887 | Mounting bracket |
| 15 | CR 062033-013 | Resistor |
| 16 | CR 089521 | Bar |
| 17 | CR 092224 | Split bushing |
| 18 | CR 060030-163 | Flat washer |
| 19 | CR 089510 | Bushing |
| 20 | CR 087144 | Cover |
| 21 | CR 114003 | Insulator |
| 22 | CR 060032-037 | Self tapping screw |
| 23 | CR 060000-075 | Roll pin |
| 24 | CR 113425-001 | Cover, left |
| 25 | CR 113425-002 | Cover, right |
| 26 | CR 117269 | Outer button |
| 27 | CR 108693 | Spring |
| 28 | CR 089362 | Switch |
| 29 | CR 089362 | Switch |
| 30 | CR 113432 | Insulator |
| 31 | CR 113434 | Insulator |
| 32 | CR 060045-020 | Shoulder bolt |
| 33 | CR 117270 | Button |
| 34 | CR 073384 | Spring |
| 35 | CR 115676 | Extension |
| 36 | CR 113431 | Insulator |
| 37 | CR 113433 | Insulator |
| 38 | CR 089362 | Switch |
| 39 | CR 089362 | Switch |

| Item | Part No. | Description |
|------|---------------|------------------------|
| 40 | CR 089342 | Spacer |
| 41 | CR 089362 | Switch |
| 42 | CR 089336 | Bracket |
| 43 | CR 060014-006 | Screw #10 |
| 44 | CR 060011-022 | Screw #4 |
| 45 | CR 089298-002 | Rod |
| 46 | CR 093492-001 | Bracket |
| 47 | CR 062033-013 | Resistor |
| 48 | CR 060030-190 | Flatwasher, .03" thick |
| 49 | CR 089356 | Cam |
| 50 | CR 089543 | Cam |
| 51 | CR 089514 | Plate |
| 52 | CR 088611-002 | Collar |
| 53 | CR 089360 | Torsion spring |
| 54 | CR 089350 | Stop |
| 55 | CR 073371 | Spring |
| 56 | CR 065003-017 | Sleeving |
| 57 | CR 092586 | Arm detent |
| 58 | CR 101589 | Horn switch |
| 59 | CR 078879 | Switch |
| 60 | CR 102525-002 | Cover |
| 61 | CR 075585 | Seal |
| 62 | CR 077635 | Adaptor |

Transistor Control Pod

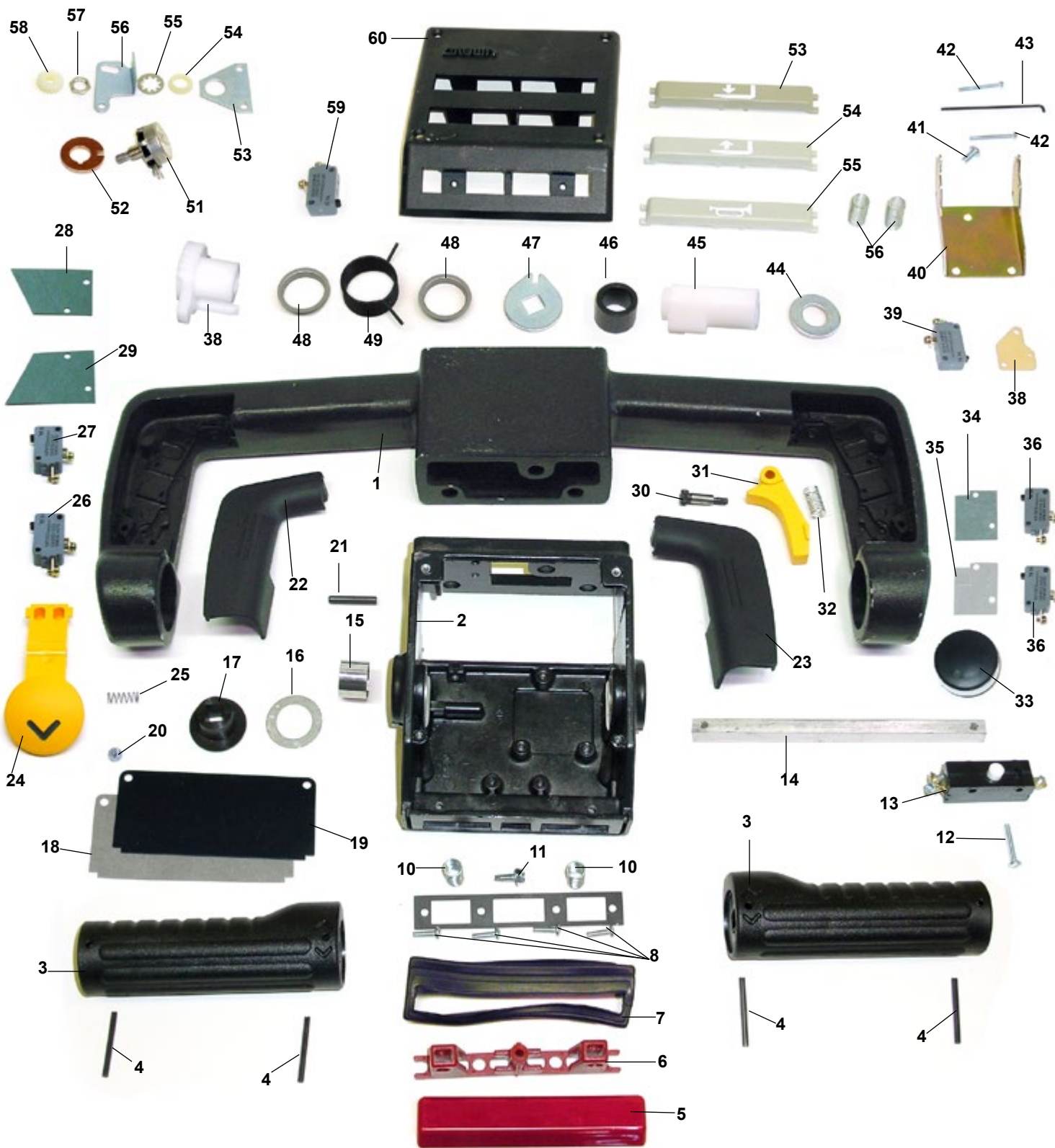


Transistor Control Pod

| Item | Part No. | Description |
|------|---------------|---------------------------|
| 1 | CR 115331 | Yoke |
| 2 | CR 089317 | Pod |
| 3 | CR 115675 | Grip |
| 4 | CR 060000-108 | Roll pin |
| 5 | CR 093904-001 | Cap button |
| 6 | CR 089324-001 | Red body button |
| 7 | CR 088975 | Bellows |
| 8 | CR 089324-001 | Red body button |
| 9 | CR 093068 | Retainer |
| 10 | CR 080695 | Spring |
| 11 | CR 060032-032 | Self tapping screw |
| 12 | CR 060012-023 | Screw #6 |
| 13 | CR 073375 | Switch |
| 14 | CR 089521 | Bar |
| 15 | CR 092224 | Split bushing |
| 16 | CR 060030-163 | Flat washer |
| 17 | CR 089510 | Bushing |
| 18 | CR 080275 | Pinion |
| 19 | CR 060021-010 | Nut |
| 20 | CR 089532 | Bracket |
| 21 | CR 060005-010 | Lockwasher |
| 22 | CR 076649-002 | Insulator |
| 23 | CR 089529 | Plate |
| 24 | CR 089549 | Insulator |
| 25 | CR 079019 | Potentiometer, Accelerate |
| 26 | CR 060000-075 | Roll pin |
| 27 | CR 060032-037 | Self tapping screw |
| 28 | CR 087144 | Cover |
| 29 | CR 114003 | Insulator |
| 30 | CR 116329 | Extension |
| 31 | CR 089342 | Spacer |
| 32 | CR 089362 | Switch |
| 33 | CR 089336 | Bracket |
| 34 | CR 060014-006 | Screw #10 |
| 35 | CR 060011-022 | Screw #4 |
| 36 | CR 089298-002 | Rod |
| 37 | CR 060030-190 | Flatwasher, .03" thick |
| 38 | CR 089356 | Cam |

| Item | Part No. | Description |
|------|---------------|------------------|
| 39 | CR 089548 | Spacer |
| 40 | CR 089514 | Plate |
| 41 | CR 088611-002 | Collar |
| 42 | CR 089360 | Torsion spring |
| 43 | CR 088611-002 | Collar |
| 44 | CR 089350 | Stop |
| 45 | CR 060011-027 | Screw #4 |
| 46 | CR 060011-021 | Screw #4 |
| 47 | CR 089362 | Switch |
| 48 | CR 088753-001 | Cover unit |
| 49 | CR 117267-002 | Lower button |
| 50 | CR 117267-001 | Raise button |
| 51 | CR 117267-003 | Horn button |
| 52 | CR 117268 | Switch 3rd speed |
| 53 | CR 073384 | Spring |

Transistor - Quickpick

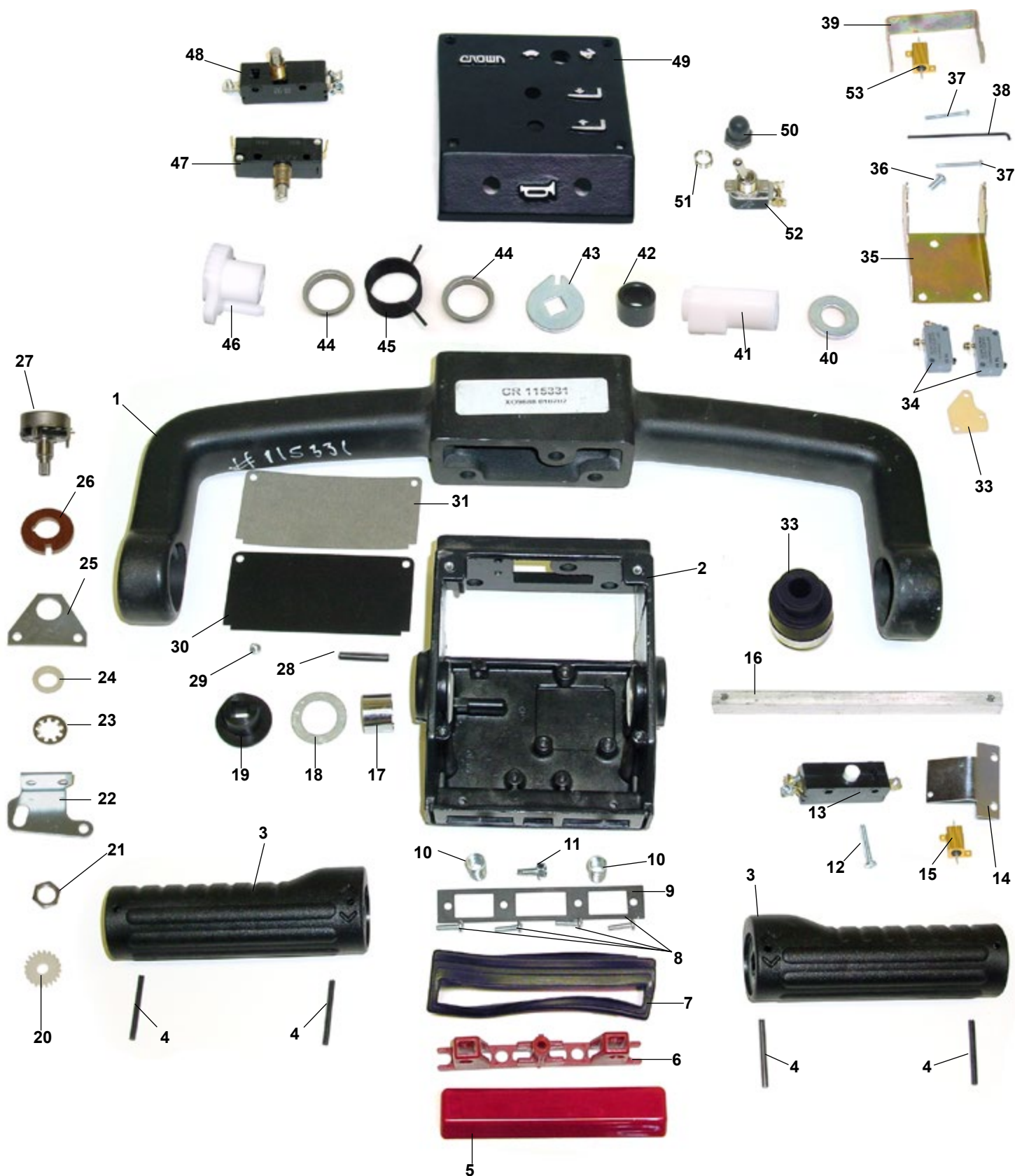


Transistor - Quickpick

| Item | Part No. | Description |
|------|---------------|--------------------|
| 1 | CR 113387 | Yoke |
| 2 | CR 089317 | Pod |
| 3 | CR 115675 | Grip |
| 4 | CR 060000-108 | Roll pin |
| 5 | CR 093904-001 | Cap button |
| 6 | CR 089324-001 | Red body button |
| 7 | CR 088975 | Bellow |
| 8 | CR 060032-035 | Self tapping screw |
| 9 | CR 093068 | Retainer |
| 10 | CR 080695 | Spring |
| 11 | CR 060032-032 | Self tapping screw |
| 12 | CR 060012-023 | Screw #6 |
| 13 | CR 073375 | Switch |
| 14 | CR 089521 | Bar |
| 15 | CR 092224 | Split bushing |
| 16 | CR 060030-163 | Flat washer |
| 17 | CR 089510 | Bushing |
| 18 | CR 087144 | Cover |
| 19 | CR 114003 | Insulator |
| 20 | CR 060032-037 | Self tapping screw |
| 21 | CR 060000-075 | Roll pin |
| 22 | CR 113425-001 | Cover, left |
| 23 | CR 113425-002 | Cover, right |
| 24 | CR 117269 | Outer button |
| 25 | CR 108693 | Spring |
| 26 | CR 089362 | Switch |
| 27 | CR 089362 | Switch |
| 28 | CR 113432 | Insulator |
| 29 | CR 113434 | Insulator |
| 30 | CR 060045-020 | Shoulder bolt |
| 31 | CR 117270 | Button |
| 32 | CR 073384 | Spring |
| 33 | CR 115676 | Extension |
| 34 | CR 113431 | Insulator |
| 35 | CR 113433 | Insulator |
| 36 | CR 089362 | Switch |
| 37 | CR 089362 | Switch |
| 38 | CR 089342 | Spacer |

| Item | Part No. | Description |
|------|---------------|----------------|
| 39 | CR 113352 | Switch |
| 40 | CR 089336 | Bracket |
| 41 | CR 060014-006 | Screw #10 |
| 42 | CR 060011-022 | Screw #4 |
| 43 | CR 089298-001 | Rod |
| 44 | CR 060030-190 | Flatwasher |
| 45 | CR 089356 | Cam |
| 46 | CR 089548 | Spacer |
| 47 | CR 089514 | Plate |
| 48 | CR 088611-002 | Collar |
| 49 | CR 089360 | Torsion spring |
| 50 | CR 089509 | Stop |
| 51 | CR 079019 | Potentiometer |
| 52 | CR 089549 | Insulator |
| 53 | CR 089529 | Plate |
| 54 | CR 076649-002 | Insulator |
| 55 | CR 060005-010 | Lockwasher |
| 56 | CR 089532 | Bracket |
| 57 | CR 060021-010 | Nut |
| 58 | CR 080275 | Pinion |
| 59 | CR 118901 | Switch |
| 60 | CR 088753-003 | Cover |
| 61 | CR 117267-002 | Lower button |
| 62 | CR 117267-001 | Raise button |
| 63 | CR 117267-003 | Horn button |
| 64 | CR 073384 | Spring |

Transistor - Freezer Corrosion

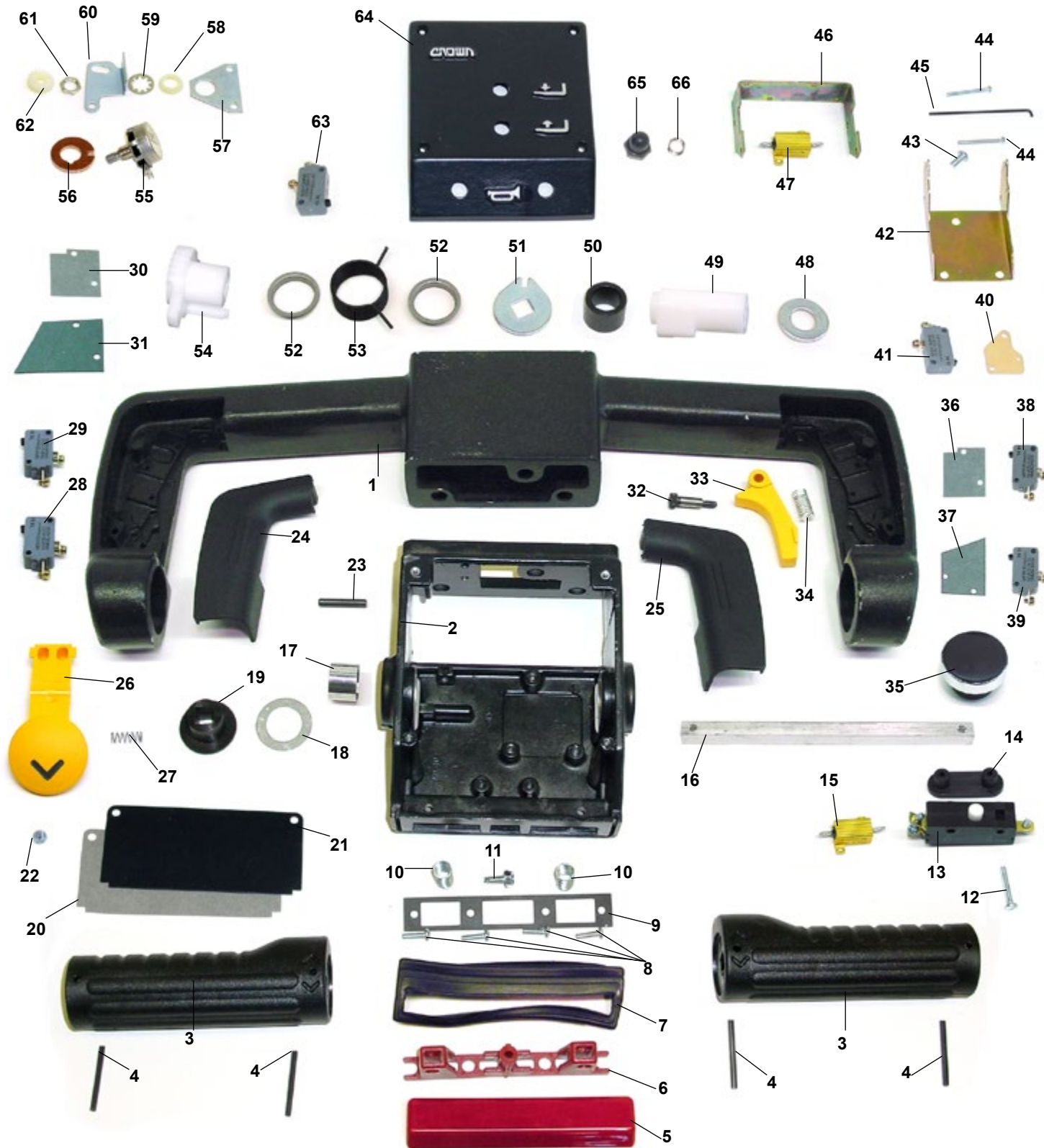


Transistor - Freezer Corrosion

| Item | Part No. | Description |
|------|---------------|--------------------|
| 1 | CR 115331 | Yoke |
| 2 | CR 089317 | Pod |
| 3 | CR 115675 | Grip |
| 4 | CR 060000-108 | Roll pin |
| 5 | CR 093904-001 | Cap button |
| 6 | CR 089324-001 | Red button body |
| 7 | CR 088975 | Bellow |
| 8 | CR 060032-035 | Self tapping screw |
| 9 | CR 093068 | Retainer |
| 10 | CR 080695 | Spring |
| 11 | CR 060032-032 | Self tapping screw |
| 12 | CR 060012-023 | Screw #6 |
| 13 | CR 073375 | Switch |
| 14 | CR 93887 | Bracket mounting |
| 15 | CR 062033-013 | Resistor |
| 16 | CR 089521 | Bar |
| 17 | CR 092224 | Split bushing |
| 18 | CR 060030-163 | Flatwasher |
| 19 | CR 089510 | Bushing |
| 20 | CR 080275 | Pinion |
| 21 | CR 060021-010 | Nut |
| 22 | CR 089532 | Bracket |
| 23 | CR 060005-010 | Lockwasher |
| 24 | CR 076649-002 | Insulator |
| 25 | CR 089529 | Plate |
| 26 | CR 089549 | Insulator |
| 27 | CR 079019 | Potentiometer |
| 28 | CR 060000-075 | Roll pin |
| 29 | CR 060032-037 | Self tapping screw |
| 30 | CR 087144 | Cover |
| 31 | CR 114003 | Insulator |
| 32 | CR 116329 | Extension |
| 33 | CR 089342 | Spacer |
| 34 | CR 118901 | Switch |
| 35 | CR 089336 | Bracket |
| 36 | CR 060014-006 | Screw #10 |
| 37 | CR 060011-021 | Screw #4 |
| 38 | CR 089298-002 | Rod |

| Item | Part No. | Description |
|------|---------------|-------------------------|
| 39 | CR 093492-001 | Bracket |
| 40 | CR 060030-190 | Flatwasher |
| 41 | CR 089356 | Cam |
| 42 | CR 089548 | Spacer |
| 43 | CR 089514 | Plate |
| 44 | CR 088611-002 | Collar |
| 45 | CR 089360 | Torsion spring |
| 46 | CR 089509 | Stop |
| 47 | CR 101589 | Switch horn |
| 48 | CR 078879 | Switch, lower and raise |
| 49 | CR 102525-001 | Cover |
| 50 | CR 075585 | Seal |
| 51 | CR 077635 | Adaptor |
| 52 | CR 077633 | Toggle switch |
| 53 | CR 062033-013 | Resistor |

Transistor Quickpick - Freezer Corrosion

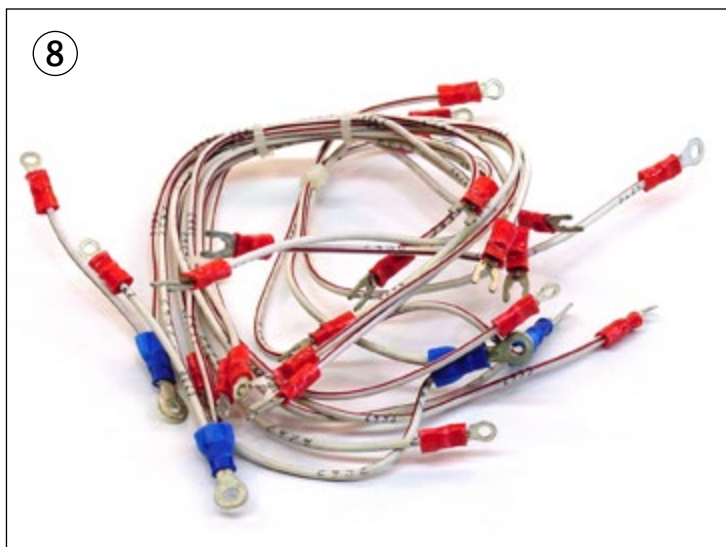


Transistor Quickpick - Freezer Corrosion

| Item | Part No. | Description |
|------|---------------|--------------------|
| 1 | CR 113387 | Yoke |
| 2 | CR 089317 | Pod |
| 3 | CR 115675 | Grip |
| 4 | CR 060000-004 | Roll pin |
| 5 | CR 093904-001 | Cap button |
| 6 | CR 089324-001 | Red body button |
| 7 | CR 088975 | Bellow switch |
| 8 | CR 060032-035 | Self tapping screw |
| 9 | CR 093068 | Retainer |
| 10 | CR 080695 | Spring |
| 11 | CR 060032-032 | Self tapping screw |
| 12 | CR 060012-023 | Screw #6 |
| 13 | CR 073375 | Switch |
| 14 | CR 093887 | Mounting bracket |
| 15 | CR 092874 | Resistor |
| 16 | CR 089521 | Bar |
| 17 | CR 092224 | Split bushing |
| 18 | CR 060030-163 | Flatwasher |
| 19 | CR 089510 | Bushing |
| 20 | CR 087144 | Cover |
| 21 | CR 114003 | Insulator |
| 22 | CR 060032-037 | Self tapping screw |
| 23 | CR 060000-075 | Roll pin |
| 24 | CR 113425-001 | Cover, left |
| 25 | CR 113425-002 | Cover, right |
| 26 | CR 117269 | Outer button |
| 27 | CR 108693 | Spring |
| 28 | CR 089362 | Switch |
| 29 | CR 089362 | Switch |
| 30 | CR 113432 | Insulator |
| 31 | CR 113434 | Insulator |
| 32 | CR 060045-020 | Shoulder bolt |
| 33 | CR 117270 | Button, inner |
| 34 | CR 073384 | Spring |
| 35 | CR 115676 | Extension |
| 36 | CR 113431 | Insulator |
| 37 | CR 113433 | Insulator |

| Item | Part No. | Description |
|------|---------------|-----------------------|
| 38 | CR 089362 | Switch |
| 39 | CR 089362 | Switch |
| 40 | CR 089342 | Spacer |
| 41 | CR 113352 | Switch |
| 42 | CR 089336 | Bracket |
| 43 | CR 060014-006 | Screw #10 |
| 44 | CR 060011-021 | Screw #4 |
| 45 | CR 089298-002 | Rod |
| 46 | CR 093492-002 | Bracket |
| 47 | CR 092874 | Resistor |
| 48 | CR 060030-190 | Flatwasher |
| 49 | CR 089356 | Cam |
| 50 | CR 089548 | Spacer |
| 51 | CR 089514 | Plate |
| 52 | CR 088611-002 | Collar |
| 53 | CR 089360 | Torsion spring |
| 54 | CR 089509 | Stop |
| 55 | CR 079019 | Potentiometer |
| 56 | CR 089549 | Insulator |
| 57 | CR 089529 | Plate |
| 58 | CR 076649-002 | Insulator |
| 59 | CR 060005-010 | Lockwasher |
| 60 | CR 089532 | Bracket |
| 61 | CR 060021-010 | Nut |
| 62 | CR 080275 | Pinion |
| 63 | CR 078879 | Switch, lower & raise |
| | CR 101589 | Switch, horn |
| 64 | CR 102525-002 | Cover |
| 65 | CR 075585 | Seal |
| 66 | CR 077635 | Adaptor |

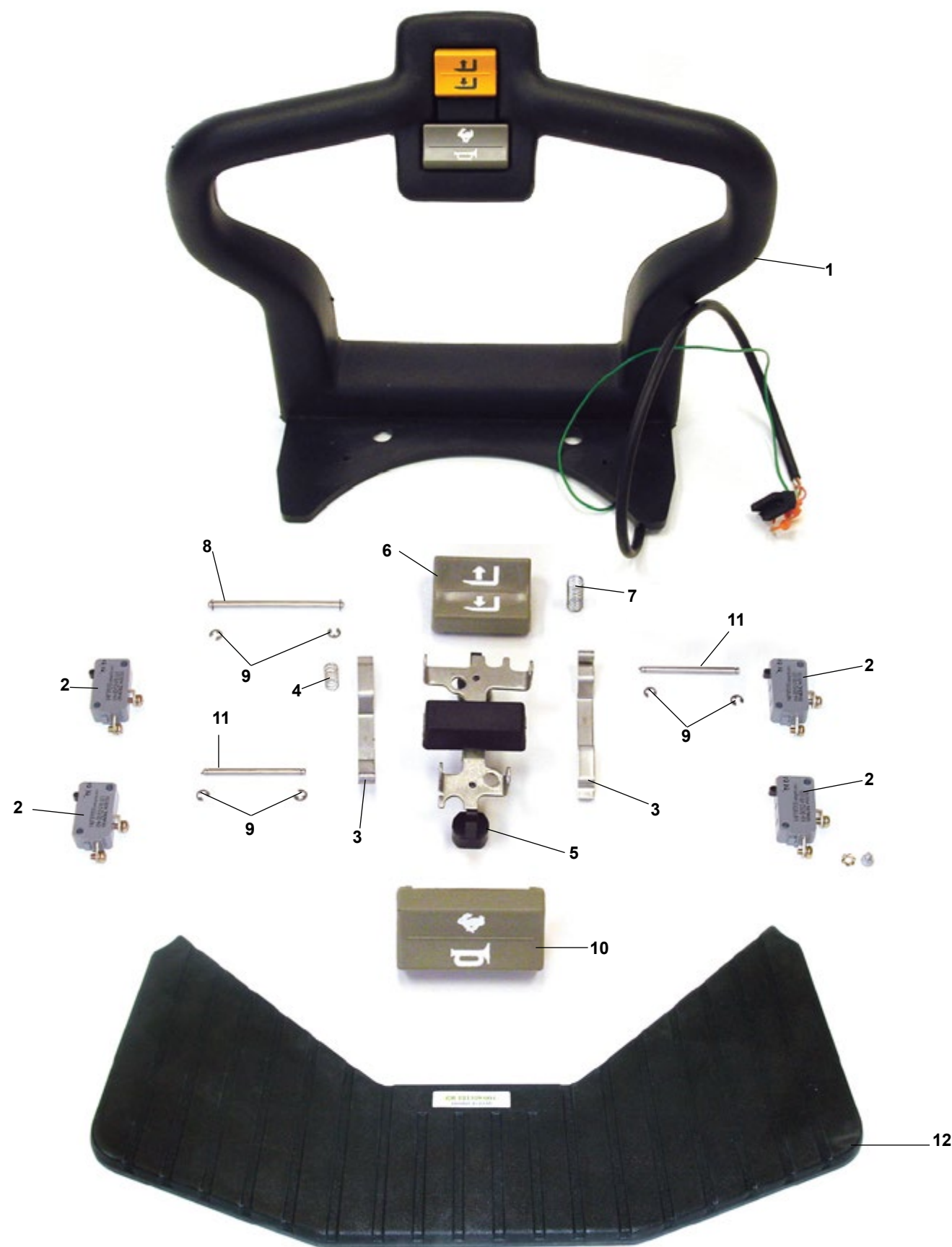
Handle Control Arm



Handle Control Arm

| Item | Part No. | Description |
|------|--|--|
| 1 | CR 115270 CR 115269 | Handle control arm Handle control arm, w/coast option |
| 2 | CR 74909 | Handle return spring, 2 required |
| 3 | CR 79791 | Handle return spring, 1 required |
| 4 | CR 73842 | Handle bushing, 2 required |
| 5 | CR 109528 | Pivot shaft |
| 6 | CR 115280 | Cam |
| 7 | CR 79564-009 | Terminal block |
| 8 | CR 116559 CR 116476 CR 116560 CR 116513 CR 116545 CR 116546 | Control pod harness, Resistor Control Control pod harness, Resistor w/Quickpick Control pod harness, Resistor w/Freezer corrosion Control pod harness, Resistor w/QP and FC Control pod harness, Transistor (Curtis or Sevcon) Control pod harness, Transistor w/FC |

Control Handle Arm/Grab Bar



Control Handle Arm/Grab Bar

| Item | Part No. | Description |
|------|------------------------|--|
| 1 | CR 130641-001 | Grab bar assembly, Resistor |
| | CR 130641-002 | Grab bar assembly, Resistor, FC |
| | CR 130641-003 | Grab bar assembly, Transistor |
| | CR 130641-004 | Grab bar assembly, Transistor, FC |
| 2 | CR 89362 | Switch, 4 required |
| | CR 60064-003 | Screw |
| | CR 60005-036 | Lockwasher |
| 3 | CR 115407 | Lever switch |
| 4 | CR 115406 | Spring |
| 5 | CR 115402-001 | Bracket |
| 6 | CR 115408 | Button, lift/lower |
| 7 | CR 115405 | Spring |
| 8 | CR 115410-001 | Button pin |
| 9 | CR 60009-070 | Retaining ring |
| 10 | CR 115409 | Button, horn/3rd speed |
| 11 | CR 115410-002 | Button pin |
| 12 | CR 121329-001 | Mat |
| 13 | Not shown | |
| | CR 115412 | Wiring Harness - grab bar to dist. panel, Curtis or Sevcon |
| | CR 115413 CR 115916 | Wiring Harness - grab bar to dist. panel, Curtis or Sevcon with Freezer Corrosion Wiring Harness - grab bar to dist. panel, Resistor type |

Hydraulic Power Unit



Hydraulic Power Unit

| Item | Part No. | Description |
|------|---------------|--|
| 1 | CR 116591 | Pump and motor assembly |
| 2 | CR 117492 | Motor - Generic, 24V, Generic |
| | CR 116835 | Brush holder, OEM motor only |
| | CR 103255 | Brush spring, OEM motor only |
| | CR 116832 | Brush set, OEM motor only |
| 3 | CR 84339 | Check valve |
| 4 | CR 084343 | Starter switch |
| 5 | CR 84344-001 | Solenoid cartridge, Valve - 3way, 24V |
| 6 | CR 064013-001 | Breather elbow |
| 7 | CR 070550 | Breather |
| 8 | CR 064103-064 | Hose assembly |
| 9 | CR 64061-002 | Elbow fitting, fits power unit |
| 10 | CR 64098-008 | Elbow fitting, fits hydraulic cylinder |
| 11 | CR 117080 | Relief valve Kit |
| 12 | CR 084316 | O-Ring |
| 13 | CR 094544 | Pump assembly |

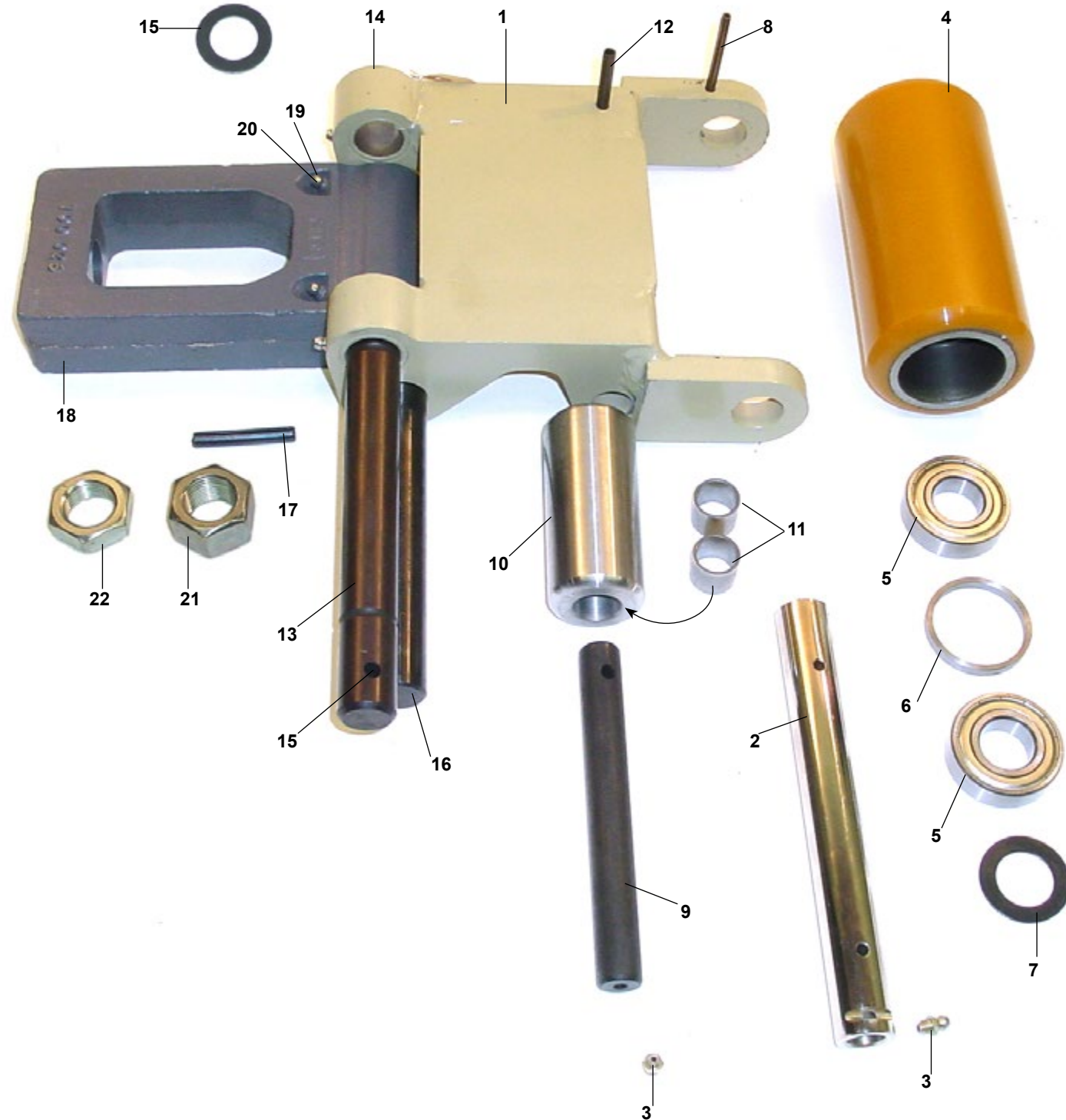
Lift Cylinder



Lift Cylinder

| Item | Part No. | Description |
|------|-----------|------------------------|
| 1 | CR 115218 | Lift Cylinder Assembly |
| 2 | CR 116820 | Seal kit |

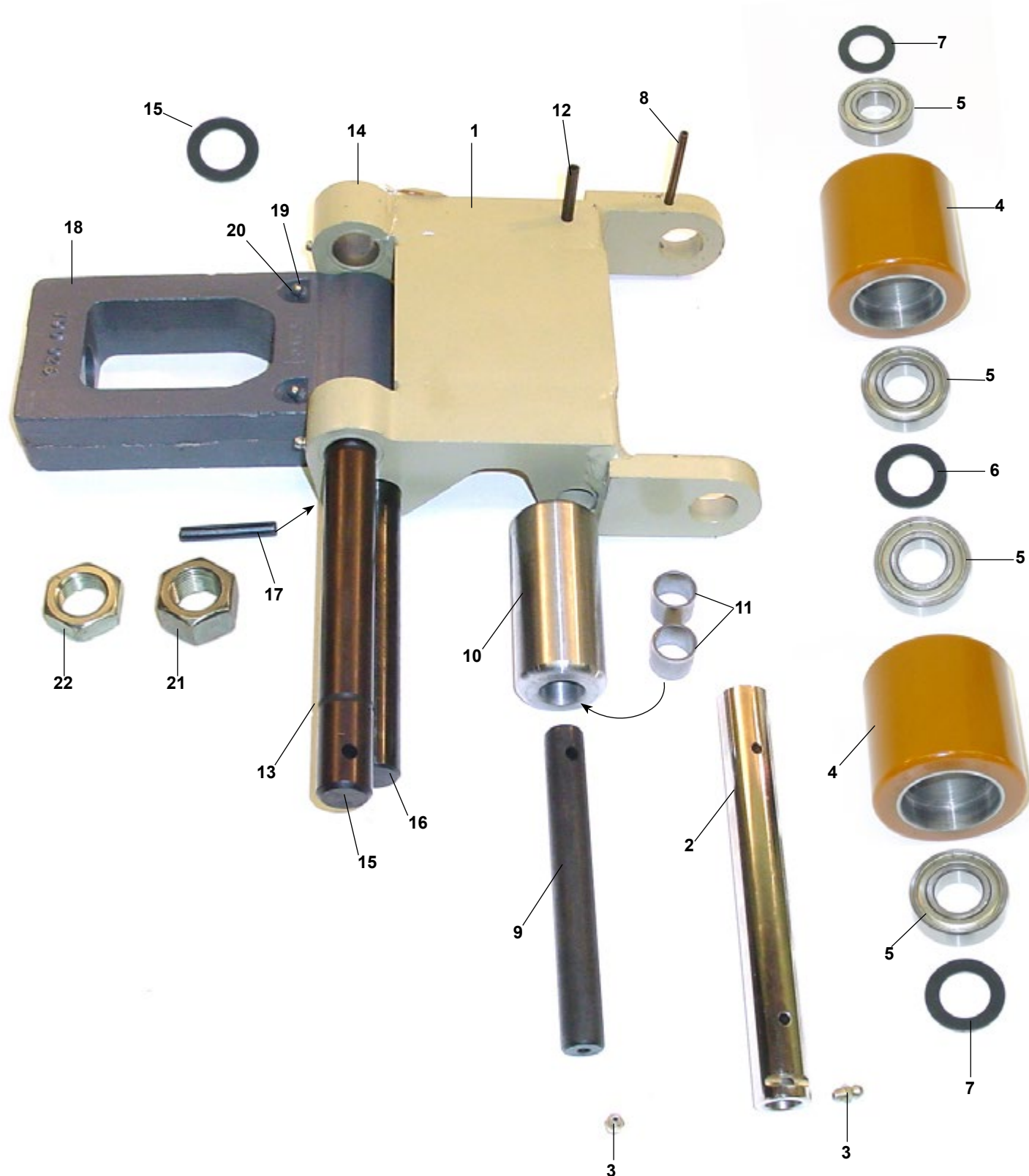
Riser Assembly - 9" and 10" Forks - Single Wheel



Riser Assembly - 9" and 10" Forks - Single Wheel

| Item | Part No. | Description |
|------|---------------|--|
| 1 | CR 115491 | Riser |
| 2 | CR 116802 | Load roller axle |
| 3 | CR 100779 | Lube fitting |
| 4 | CR 100462 | Poly load wheel, Single load wheel |
| | GW 9141 | Generic, Poly, 95-A |
| | GW 9141-A | Generic assembly, includes 4 bearings |
| | SU 9141 | Superior, Poly, 95-A |
| | SU 9141-A | Superior assembly, includes 4 bearings |
| | | Please see pages 4-5 for a complete listing of wheels. |
| 5 | CR 065081-021 | Bearing, 4 required |
| 6 | CR 100463 | Spacer, 2 required |
| 7 | CR 060030-050 | Flatwasher, 2 required |
| 8 | CR 060000-081 | Roll pin |
| 9 | CR 115509 | Exit roller axle |
| 10 | CR 115508 | Exit roller |
| 11 | CR 065117-003 | Bushing |
| 12 | CR 060000-036 | Roll pin |
| 13 | CR 115510 | Frame pivot axle |
| 14 | CR 065117-001 | Bushing |
| 15 | CR 060030-050 | Flatwasher |
| 16 | CR 115496 | Tension bar axle |
| 17 | CR 060000-109 | Roll pin |
| 18 | CR 115497 | Tension bar end |
| 19 | CR 089297 | Lube fitting |
| 20 | CR 089296 | Lube tip |
| 21 | CR 060021-096 | Nut |
| 22 | CR 060021-095 | Jam nut |

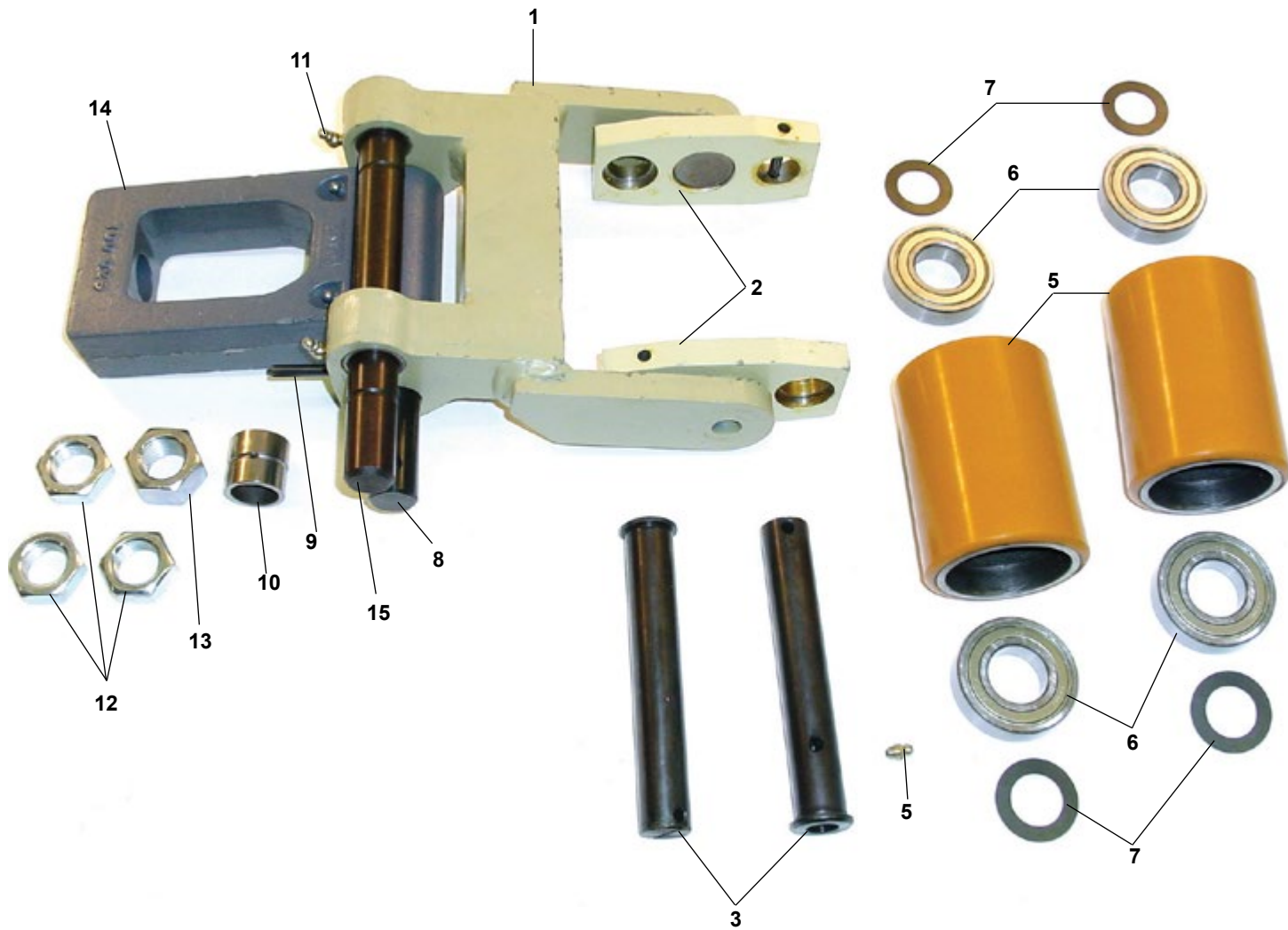
Riser Assembly - 9" and 10" Forks - Dual Wheels



Riser Assembly - 9" and 10" Forks - Dual Wheels

| Item | Part No. | Description |
|--|---------------|--------------------------------------|
| 1 | CR 115491 | Riser |
| 2 | CR 116802 | Load roller axle |
| 3 | CR 100779 | Lube fitting |
| 4 | CR 077084 | Poly load wheel, Dual load wheel |
| | GW 9133 | Generic, Poly, 95-A |
| | GW 9133-A | Generic assembly, includes bearings |
| | SU 9133 | Superior, Poly, 95-A |
| | SU 9133-A | Superior assembly, includes bearings |
| Please see pages 4-5 for a complete listing of wheels. | | |
| 5 | CR 065081-021 | Bearing, 4 required |
| 6 | CR 100463 | Spacer |
| 7 | CR 060030-050 | Flatwasher, 2 required |
| 8 | CR 060000-081 | Roll pin |
| 9 | CR 115509 | Exit roller axle |
| 10 | CR 115508 | Exit roller |
| 11 | CR 065117-003 | Bushing |
| 12 | CR 060000-036 | Roll pin |
| 13 | CR 115510 | Frame pivot axle |
| 14 | CR 065117-001 | Bushing |
| 15 | CR 060030-050 | Flatwasher |
| 16 | CR 115496 | Tension bar axle |
| 17 | CR 060000-109 | Roll pin |
| 18 | CR 115497 | Tension bar end |
| 19 | CR 089297 | Lube fitting |
| 20 | CR 089296 | Lube tip |
| 21 | CR 060021-096 | Nut |
| 22 | CR 060021-095 | Jam nut |

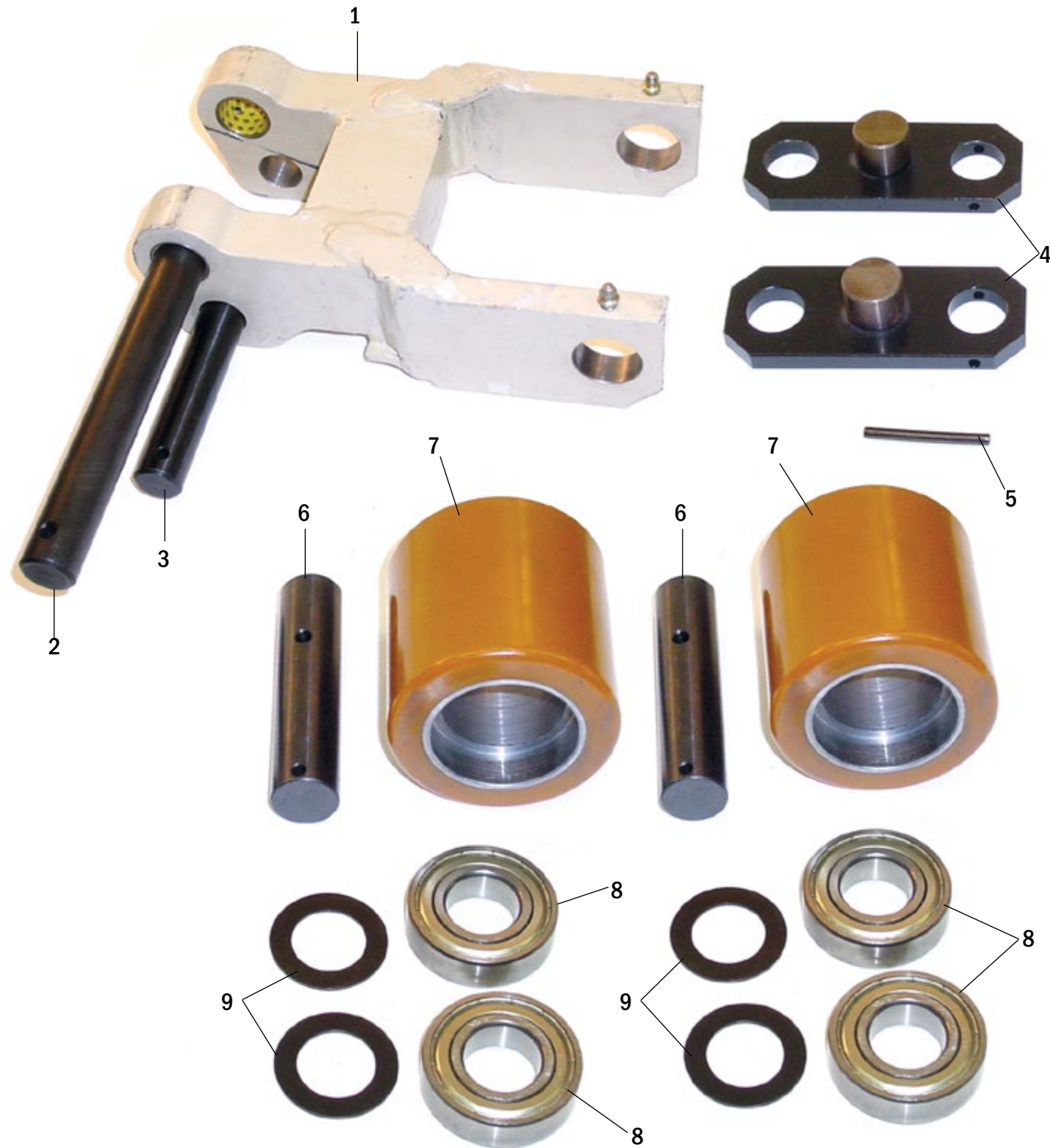
Riser Assembly - 9" and 10" Forks - Tandem Wheels



Riser Assembly - 9" and 10" Forks - Tandem Wheels

| Item | Part No. | Description |
|--|---------------|--------------------------------------|
| 1 | CR 116793 | Riser, Tandem |
| 2 | CR 101697 | Side plate, 2 required |
| 3 | CR 116802 | Load roller axle |
| 4 | CR 077084 | Poly load wheel, Tandem |
| | GW 9135 | Generic, Poly 95-A |
| | GW 9135-A | Generic assembly, includes bearings |
| | SU 9135 | Superior, Poly 95-A |
| | SU 9135-A | Superior assembly, includes bearings |
| Please see pages 4-5 for a complete listing of wheels. | | |
| 5 | CR 100779 | Lube fitting |
| 6 | CR 065081-021 | Bearing, 2 required per wheel |
| 7 | CR 060030-050 | Flatwasher, 2 required |
| 8 | CR 115496 | Axle, Tension bar |
| 9 | CR 060000-109 | Roll pin |
| 10 | CR 065117-001 | Bushing |
| 11 | CR 089297 | Lube fitting |
| 12 | CR 060021-096 | Nut |
| 13 | CR 060021-095 | Jam nut |
| 14 | CR 115497 | Tension bar end |
| 15 | CR 115510 | Axle, frame pivot axle |

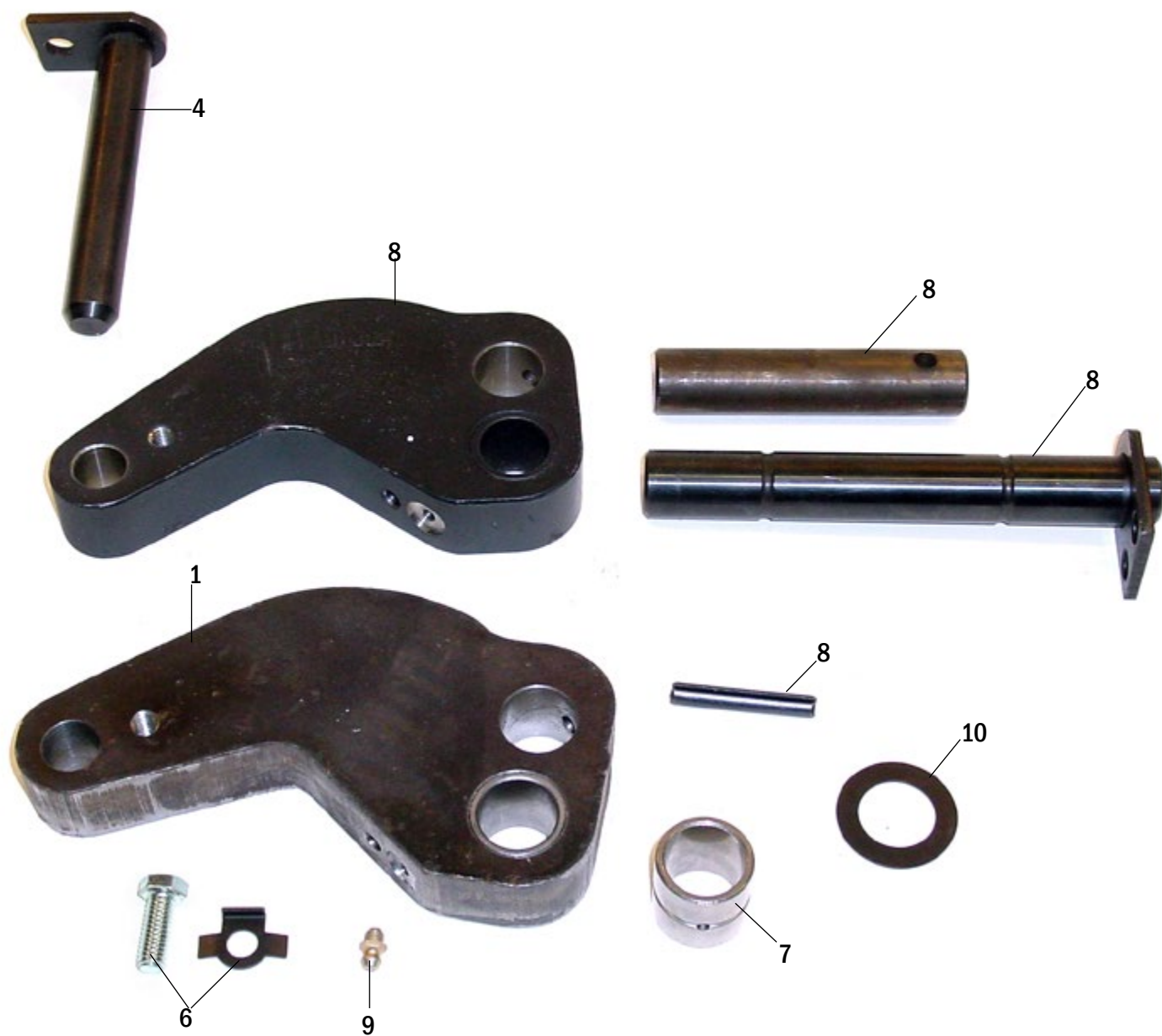
Riser Assembly - 7" Forks - Tandem Wheels



Riser Assembly - 7" Forks - Tandem Wheels

| Item | Part No. | Description |
|--|---------------|--------------------------------------|
| 1 | CR 93306 | Riser |
| 2 | CR 116993 | Axle |
| 3 | CR 116996 | Axle |
| 4 | CR 111629 | Side plate |
| 5 | CR 060000-081 | Roll pin |
| 6 | CR 116994 | Axle |
| 7 | CR 77084 | Poly load wheel, Dual Poly 95-A |
| | GW 9133 | Generic |
| | GW 9133-A | Generic assembly, includes bearings |
| | SU 9133 | Superior, Poly, 95-A |
| | SU 9133-A | Superior assembly, includes bearings |
| (see pages 4 and 5 for complete list of available load wheels) | | |
| 8 | CR 65081-021 | Bearing, 2 required per wheel |
| 9 | CR 060030-050 | Flatwasher, 2 required per wheel |

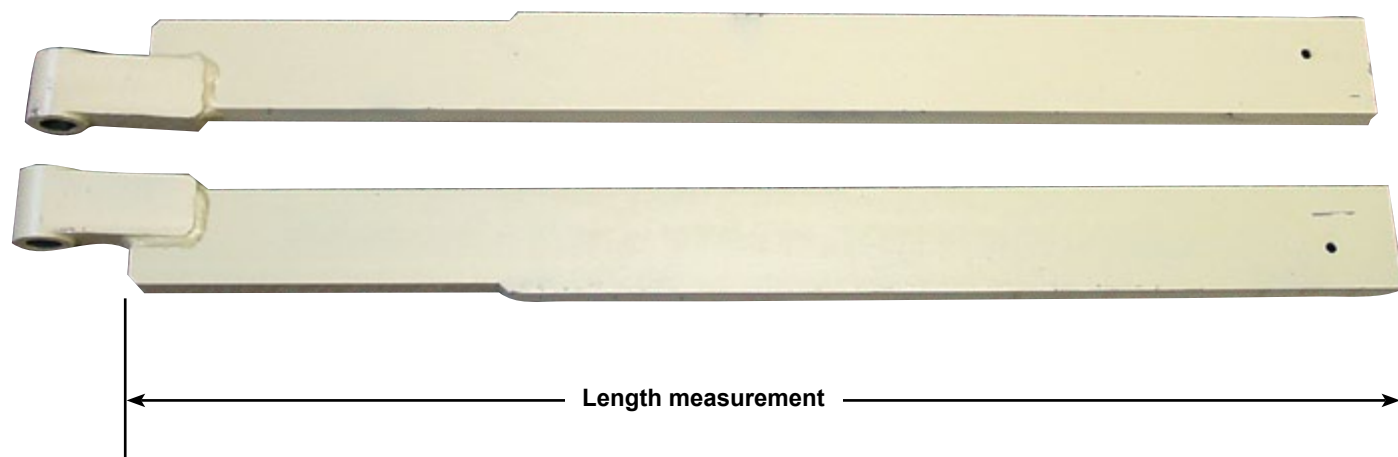
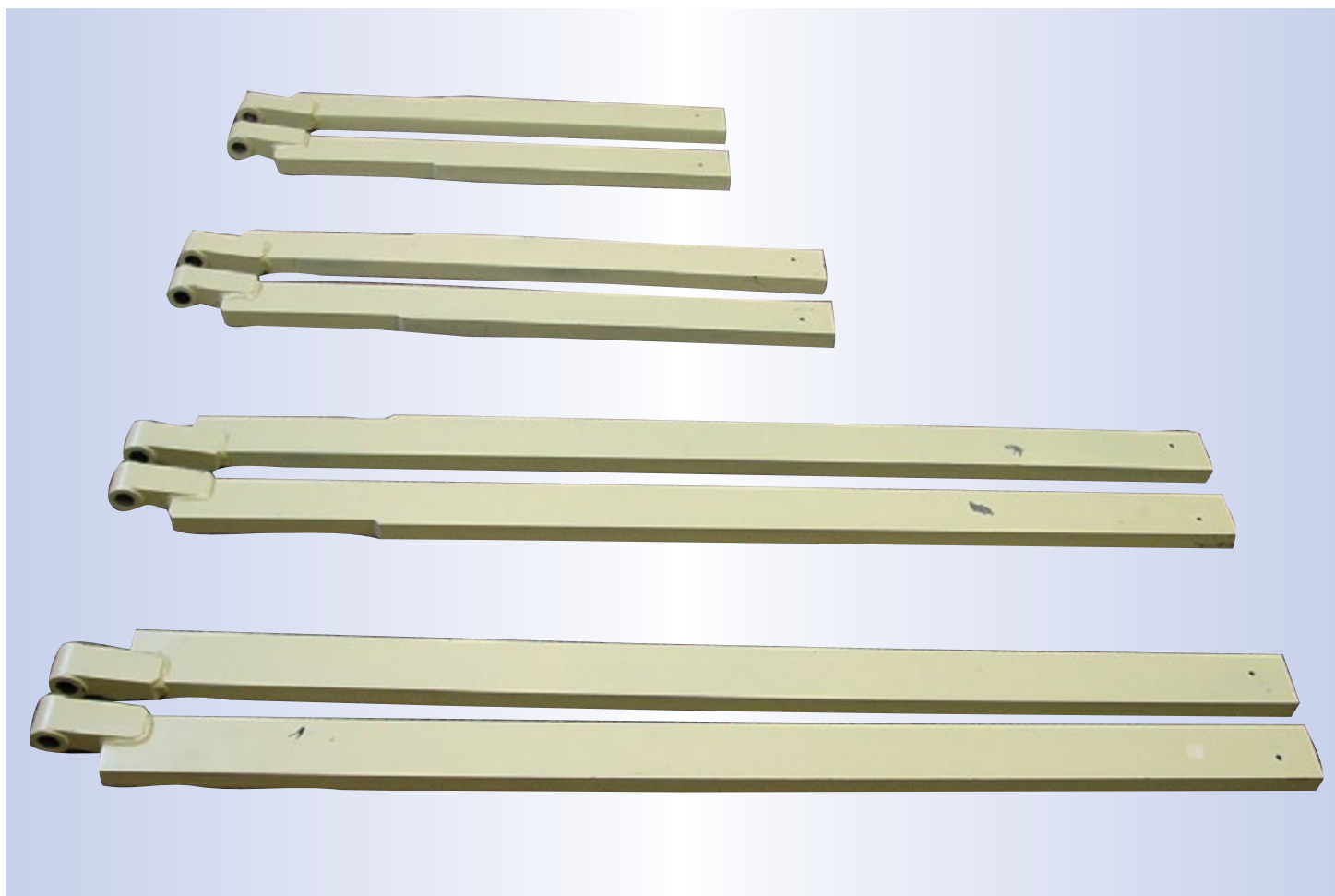
Rear Linkage



Rear Linkage

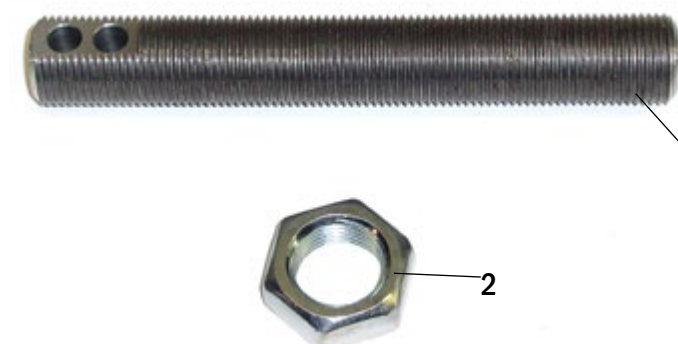
| Item | Part No. | Description |
|------|---------------|---------------------------------|
| 1 | CR 115516 | Inboard link, includes bushing |
| 2 | CR 115517 | Outboard link, includes bushing |
| 3 | CR 115518 | Axle |
| 4 | CR 115521 | Shaft |
| 5 | CR 115515 | Pivot axle |
| 6 | CR 127349 | Clip |
| | CR 060017-007 | Screw |
| 7 | CR 065117-001 | Bushing |
| 8 | CR 060000-109 | Roll pin |
| 9 | CR 076048 | Lube fitting |
| 10 | CR 060030-050 | Flatwasher |

Tension Bars



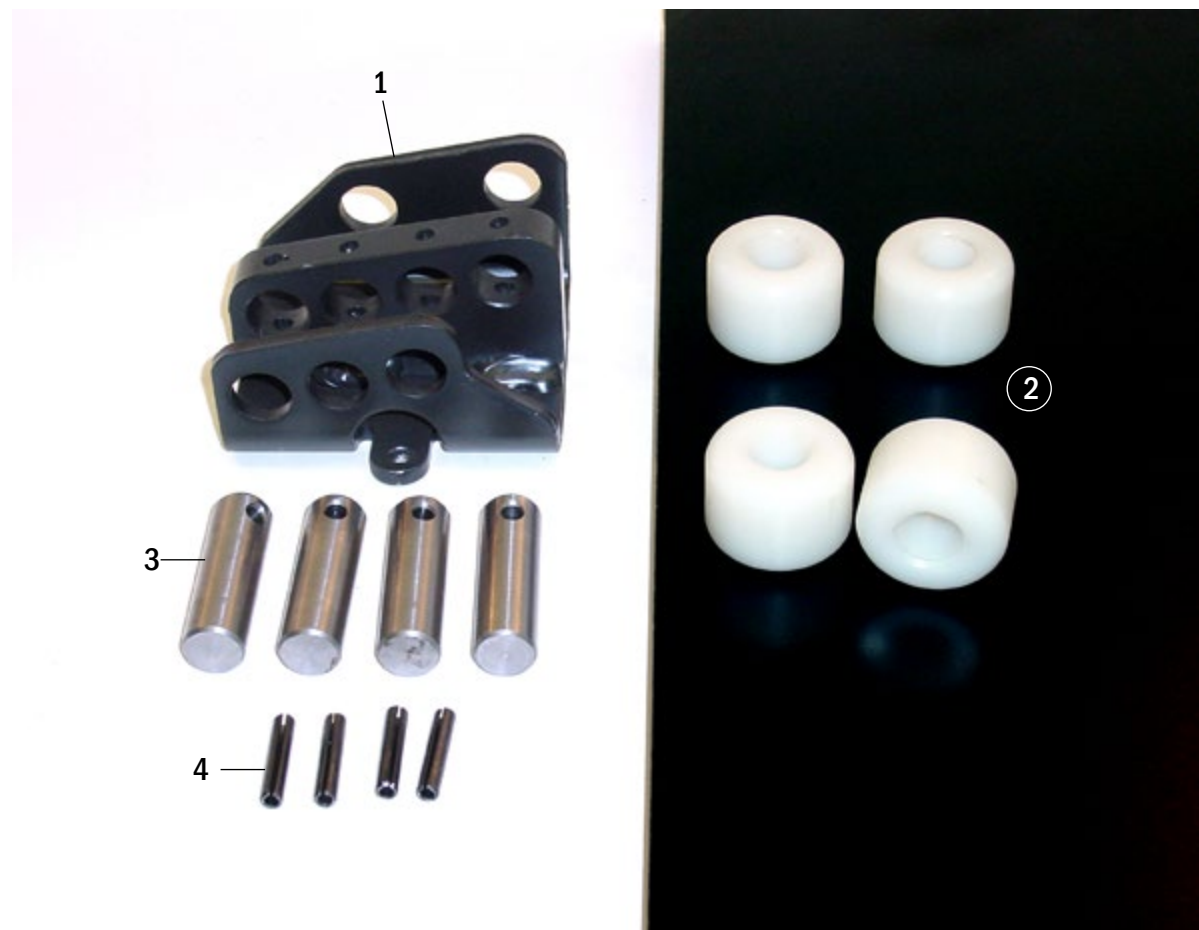
Tension Bars

| Fork Length | Tip Type | Fork Spread | Bar Length | | Part No. |
|---|----------|------------------|------------|-------|------------|
| Single Axle, 13.19" wide battery compartment, 24V | | | | | |
| 42" | Standard | 22.12" or 27.12" | 29.75" | Right | 125237-013 |
| | | | | Left | 125237-014 |
| 48" | Standard | 22.12" or 27.12" | 35.75" | Right | 125237-019 |
| | | | | Left | 125237-020 |
| 96" | Extended | 23" or 28" | 55.75" | Right | 125237-079 |
| | | | | Left | 125237-080 |
| 96" | Extended | 24" or 27" | 55.75" | Right | 125237-081 |
| | | | | Left | 125237-082 |



| Item | Part No. | Description |
|------|---------------|--------------|
| 1 | CR 115883 | Threaded bar |
| 2 | CR 060021-095 | Jam nut |

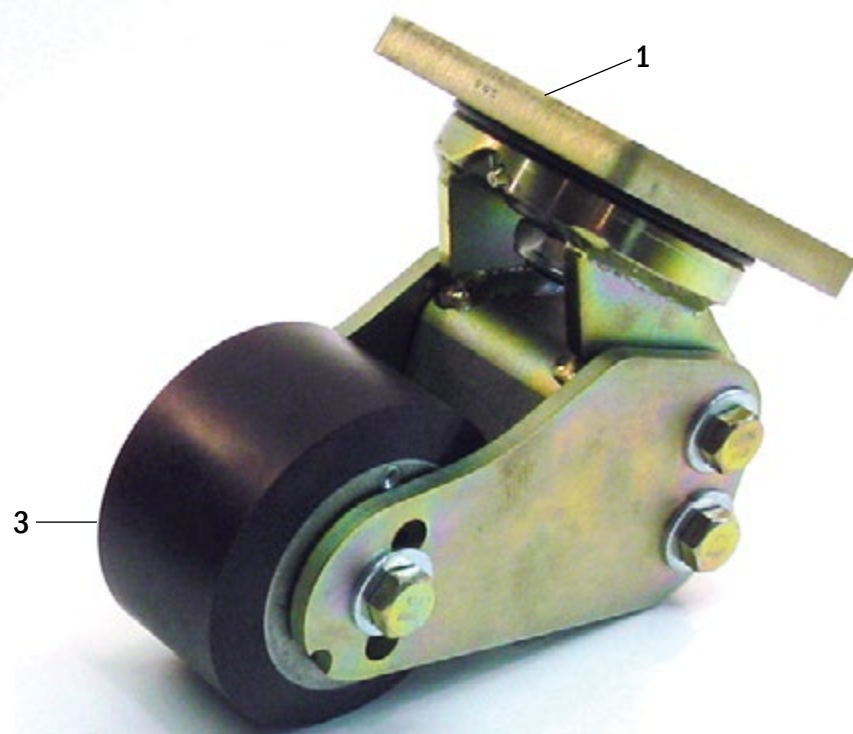
Entry Rollers



Entry Rollers

| Item | Part No. | Description |
|------|---------------|---|
| 1 | CR 080194 | Entry wheel bracket assy, standard tip forks only |
| 2 | CR 080192 | Entry wheels |
| 3 | CR 080191 | Axle |
| 4 | CR 060017-003 | 3/8" Screw |
| 5 | CR 060005-038 | Lockwasher |
| 6 | CR 060038-006 | Cotter pin |
| 7 | CR 060030-049 | Flat washer |
| 8 | CR 060000-024 | Roll pin |

Casters - Standard



Casters - Standard

| Item | Part No. | Description |
|------|------------------------|--|
| 1 | CR 82694 STR 2001 | Caster assembly Superior, Standard, 95-A |
| 2 | CR 82694 STR 2001FS | Caster assembly Superior, Food service, grease axle, 97-A |
| 3 | CR 83179 GW 9143-A | Caster wheel Generic, includes bearings, washers |

Casters - Quick Adjustment



Casters - Quick Adjustment

| Item | Part No. | Description |
|------|---------------|--|
| 1 | CR 115374-001 | Quick adjustment caster, with tension bar, set |
| 2 | CR 115374-002 | Quick adjustment caster, w/o tension bar, set |
| 3 | CR 083179 | Caster wheel assembly |
| | GW 9143-A | Generic, includes bearings, washers |
| | CR 115368 | Axle w/ lube fitting, Freezer/corrosion |
| | CR 060000-030 | Roll pin |



800-331-0839

www.GenericParts.com