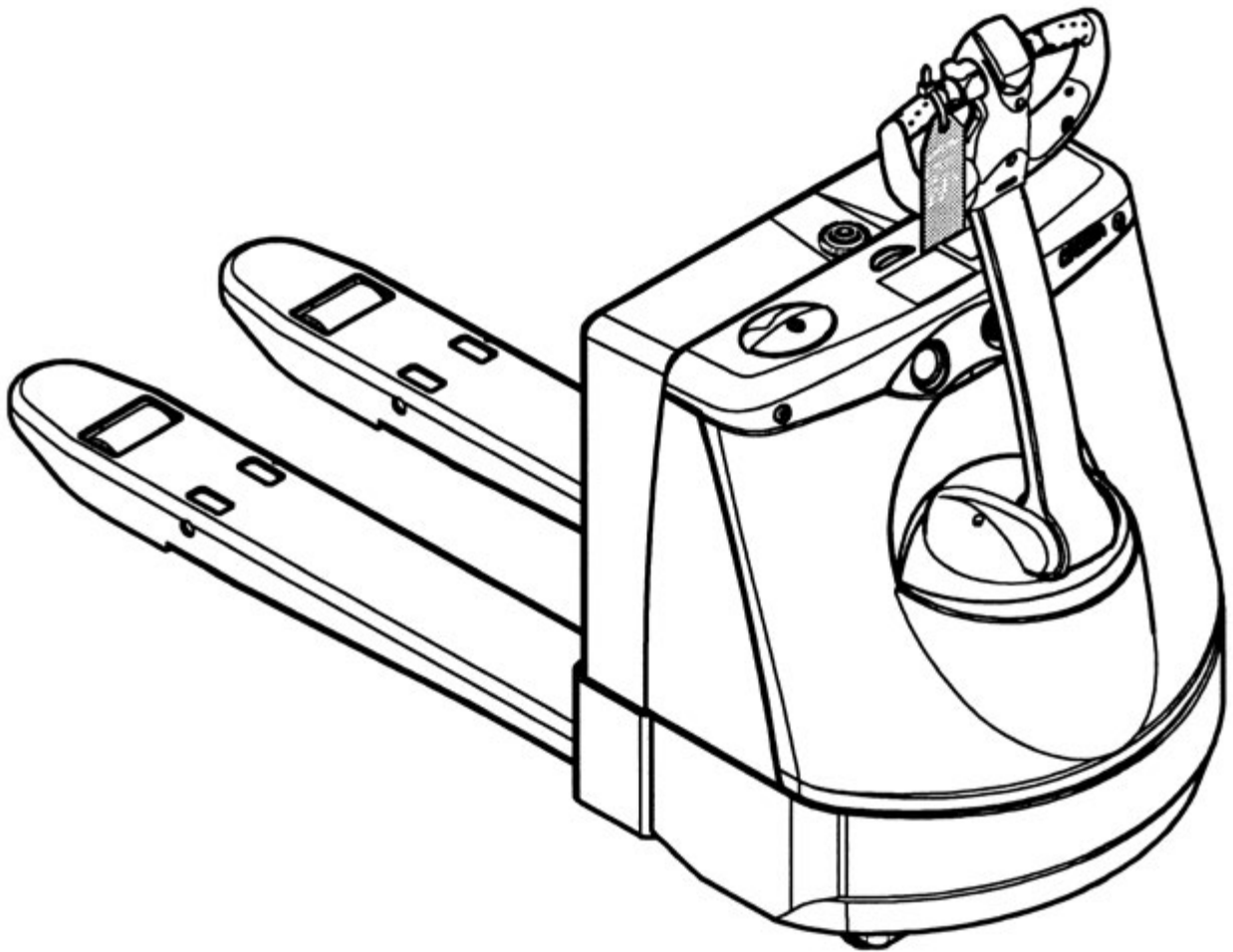


Replacement Parts
for
Crown WP 2000 Series



Truck Data Nomenclature

WP 2 0 45 - 45

Capacity

45 = 4500 lb. (2040kg)

Relative Size or Performance

- 30 = 7.8 in. (200mm) battery compartment
- 35 = 7.8 in. (200mm) battery compartment with trailer package
- 40 = 9.0 in. (230mm) battery compartment
- 45 = 9.0 in. (230mm) battery compartment with trailer package

Series Update

Significant change(s) to the product that would not merit a new series number (generation)

Series

Major technical and design changes making the product a new and improved generation

Image Generator

WP - Walkie Pallet

Contents

Quick Wheel Lookup	4
<hr/>	
Electrical	
Battery Tray and Chargers	6
Power Unit	8
Instrument Panel	10
<hr/>	
Drive Unit	
Drive Unit	12
Drive Motor, Brakes and Hydraulic	14
Control Handle	16
Knuckle	18
<hr/>	
Control Pod	20
<hr/>	
Frame and Undercarriage	22
<hr/>	
Caster Assembly	24
<hr/>	

Quick Wheel Lookup

Quick Wheel Lookup

[back to Content page](#)

OEM #	Wheel Type	Description	Wheel OD in/mm	Tread Width in/mm	Hub Width in/mm	Hub ID in/mm	Bearing OD in/mm	Bearing #	Material/Color
CR 123603-010	Load Wheel	Poly Load Wheel (95-A)	3.250 / 83	4.500 / 114	4.500 / 114	2.125 / 54	1.181 / 30	BS 6006 2RS	Scotch, 95-A
CR 123603-A	Load Wheel	Poly Load Wheel (95-A) w/ Bearings & Washers	3.250 / 83	4.500 / 114	4.500 / 114	2.125 / 54	1.181 / 30	BS 6006 2RS	Scotch, 95-A
CR 123603-XL	Load Wheel	Poly Load Wheel (97-A)	3.250 / 83	4.500 / 114	4.500 / 114	2.125 / 54	1.181 / 30	BS 6006 2RS	Cream, 97-A
CR 123603-XL-A	Load Wheel	Poly Load Wheel (97-A) w/ Bearings & Washers	3.250 / 83	4.500 / 114	4.500 / 114	2.125 / 54	1.181 / 30	BS 6006 2RS	Cream, 97-A
GWK-WP2000-LW	Load Wheel Kit	Kit Includes (2) Load Wheels (95-A) w/ Bearing, Axles & Fasteners	3.250 / 83	4.500 / 114	4.500 / 114	2.125 / 54	1.181 / 30	BS 6006 2RS	Scotch, 95-A
GWK-WP2000-LW-XL	Load Wheel Kit, Poly 97A	Kit Includes (2) Load Wheels (97-A) w/ Bearing, Axles & Fasteners	3.250 / 83	4.500 / 114	4.500 / 114	2.125 / 54	1.181 / 30	BS 6006 2RS	white, 97-A
CR 127251	Drive Tire	Drive Tire, Rubber, Smooth Flat	10.00 / 254	4.00 / 102	4.00 / 102	6.50 / 165	n/a	n/a	Rubber, Black
CR 127248-001	Drive Tire Assembly	Drive Tire, Rubber, Smooth Flat w/ Hub	10.00 / 254	4.00 / 102	4.00 / 102	6.50 / 165	n/a	n/a	Rubber, Black
CR 75715-010	Drive Tire	Drive Tire, Poly, Smooth Flat	10.00 / 254	4.00 / 102	4.00 / 102	6.50 / 165	n/a	n/a	Poly, Maroon 88-92-A
CR 127249	Drive Tire Assembly	Drive Tire, Poly, Smooth Flat w/ Hub	10.00 / 254	4.00 / 102	4.00 / 102	6.50 / 165	n/a	n/a	Poly, Maroon 88-92-A
CR 127250	Hub	Drive Tire Hub	10.00 / 254	4.00 / 102	4.00 / 102	6.50 / 165	n/a	n/a	
CR 805888-010	Caster Wheel	Caster Wheel Assembly (95-A) w/ Bearings	3.50 / 89	1.75 / 45	2.00 / 51	1.850 / 47	0.787 / 20	BS 6204 2RS	Scotch, 95-A

CR 123603-010

Load wheel
Poly Hy Load (95A)



CR 123603-XL

Load wheel
Poly Hy Load (97A)



GWK-WP2000-LW

Load wheel kit: 2 Poly Hy Load wheels (95A) w/bearings, axles & fasteners



CR 127248-001

Drive tire assembly, rubber includes hub



CR 127249

Drive tire assembly, Poly includes hub



CR 805888-010

Caster wheel assembly includes bearings and washers



CR 123603-A

Load Wheel assembly Poly 95A includes bearings, washers



CR 123603-XL-A

Load wheel
Poly Hy Load (97A)



GWK-WP2000-LW-XL

Load wheel kit: 2 Poly Hy Load wheels (97A) w/bearings, axles & fasteners



CR 127251

Drive tire
smooth black rubber



CR 75715-010

Drive tire, Poly 95A



CR 127250

Tire hub



Electrical - Battery Tray and Chargers



Electrical - Battery Tray and Chargers

[back to Content page](#)

Item	Part No.	Description
1	CR 127455	Charger 120V 60 Hz
2	CR 127537	Charger Cord, AC Jumper
3	CR 808172	Cover assembly
4	CR 807729	Battery tray assembly, Maintenance Free Batteries
5	CR 808278	Battery tray assembly, swing out (not shown), Wet Cell Batteries
6	CR 78723-002	Battery Connector, Gray 175 Amp
7	CR 78724-001	Contact Set (2pc) , 175 Amp
8	CR 045239-002	Disconnect handle, lower
9	CR 045239-001-03	Disconnect handle, upper
10	CR 805814	Spring paper clip (not shown)
11	CR 805845	Housing (not shown)

Electrical - Power Unit

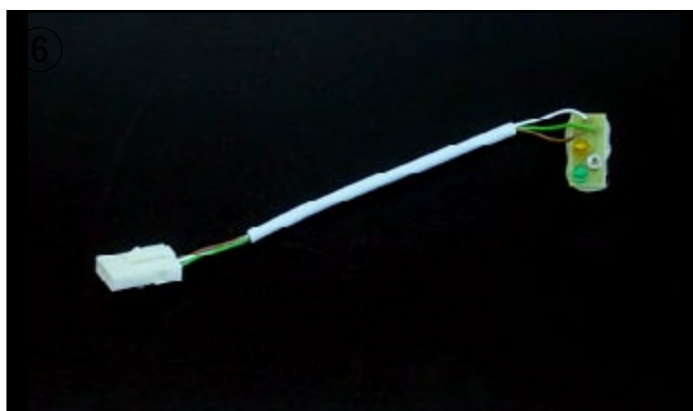
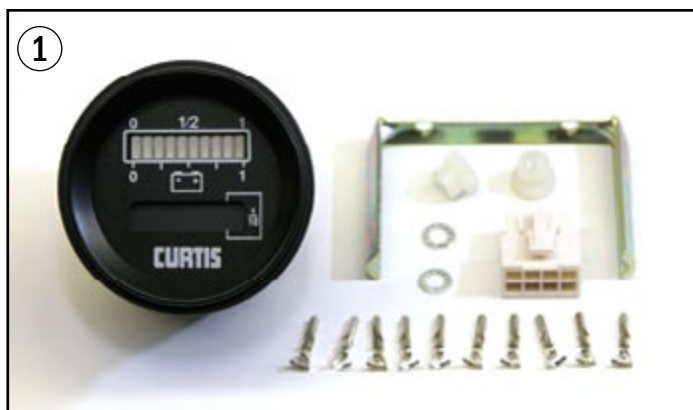


Electrical - Power Unit

[back to Content page](#)

Item	Part No.	Description
1	CR 805780-002-R CR 805780-002-R-C	Controller, Renewed Core Deposit
2	CR 802820	Contactor, 24V
3	CR 078708-002	Horn
4	CR 805864 CR 808032	Micro switch (LMS) Micro switch (LMS) F/C (not shown)
5	CR 803310	Switch actuator
6	CR 802816-005	Fuse, 125 Amp (FU1)
7	CR 805824	Fuse holder

Electrical - Instrument Panel

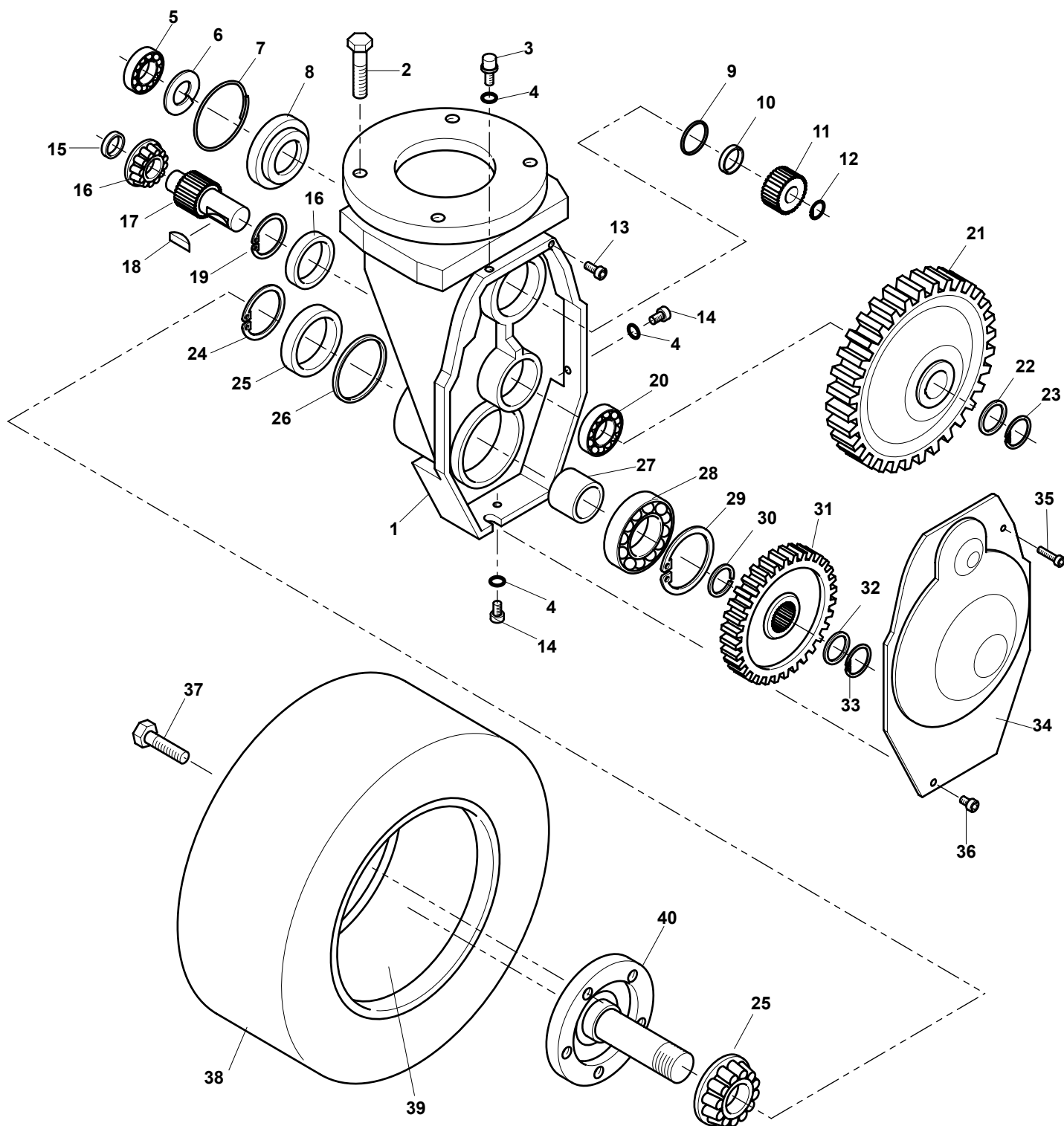


Electrical - Instrument Panel

[back to Content page](#)

Item	Part No.	Description
1	CR 802833	Unigauge
	CR 113773-006	Hour meter (not shown)
	CR 106288	Battery discharge meter (not shown)
	CR 126238-002	Battery discharge meter for MFB (not shown)
2	CR 072708-OEM	Key switch, Inc. 2 keys, ring & nut
3	CR 077633	Toggle Switch, Inc.nut
4	CR 120127	Flange inlet, AC
5	CR 810562	Charger LED
6	CR 805752	Fuse holder
	CR 805751-001	Fuse 10A (FU2)
	CR 805751-002	Fuse, 2A (FU3) (not shown)
7	CR 805892	Thermostat, F/C
8	CR 045271-004	Cover, unit with battery charger
	CR 045271-001	Cover, unit w/o battery charger (not shown)

Drive Unit



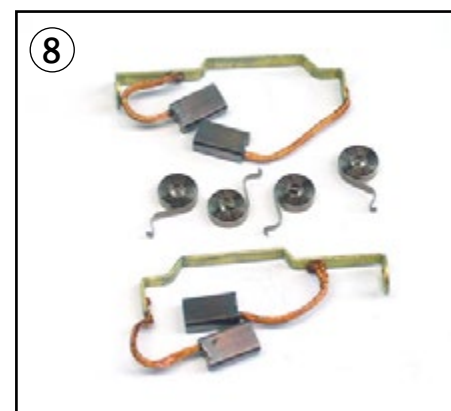
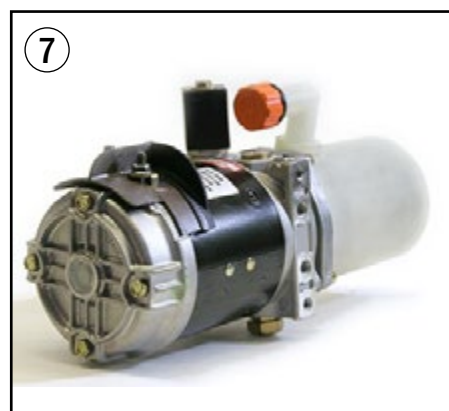
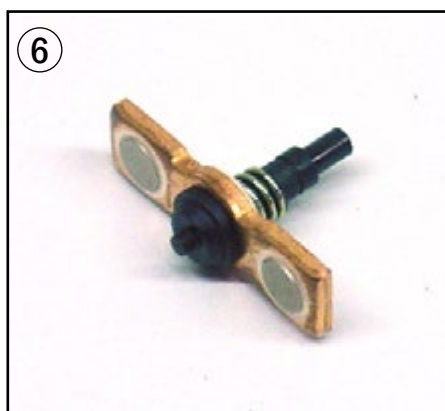
Drive Unit

[back to Content page](#)

Item	Part No.	Description
1	CR 805101	Housing
2	CR 050005-037	Screw
3	CR 805109	Breather
4	CR 805110-003	Seal
5	CR 805111-005	Bearing
6	CR 805116-002	Washer
7	CR 805117	O-ring
8	CR 805113-002	Bushing
9	CR 805110-002	Seal
10	CR 805118	Ring
11	CR 805108	Pinion
12	CR 805112-005	Retaining ring
13	CR 805115-003	Screw
14	CR 805115-004	Screw
15	CR 805107	Cap
16	CR 805111-003	Cup and cone bearing
17	CR 805105	Pinion
18	CR 805106	Key
19	CR 805112-004	Retaining ring
20	CR 805111-004	Bearing
21	CR 805104	Gear
22	CR 805116-001	Washer
23	CR 805112-003	Retaining ring
24	CR 805112-001	Retaining ring
25	CR 805111-001	Cup and cone bearing
26	CR 805110-001	Seal

Item	Part No.	Description
27	CR 805113-001	Bushing
28	CR 805111-002	Bearing
29	CR 805112-006	Retaining ring
30	CR 805114-001	Shim
31	CR 805102	Gear
32	CR 805114-002	Shim
33	CR 805112-002	Retaining ring
34	CR 805103	Gear box
35	CR 805115-002	Screw
36	CR 805115-001	Screw
37	CR 050074-002	Lug bolt
38	CR 127251-001	Rubber drive tire
	CR 127248-001	Rubber drive tire assembly, includes hub
	CR 127251-001-XG	Rubber drive tire, X groove
	CR 127248-001-XG	Rubber drive tire assembly, X groove w/ hub
	CR 75715-010	Poly drive tire, 90-92A
	CR 127249	Poly drive tire assembly, includes hub
	CR 75715-010-XG	Poly drive tire, X groove
	CR 127249-XG	Poly drive tire assembly, X groove w/ hub
39	CR 127250	Hub
40	CR 805100	Wheel shaft

Drive Motor, Brake and Hydraulics



Drive Motor, Brake and Hydraulics

[back to Content page](#)

Item	Part No.	Description
1	CR 805839-AM	Traction Motor (After-Market) (Original OEM Motor)
2	CR 128092	Brush Kit, incl. 4 Brushes & 4 Springs
3	CR 807102	Brake Assembly
4	CR 802820	Contact (Pump & Line)
5	CR 803689	Fixed Contact
6	CR 803690	Moveable Contact
7	CR 805770-001	Pump and Motor Assembly
8	CR 128091	Brush & Spring kit (Hydraulic Pump Motor)
9	CR 805600	Lift Cylinder Assembly
10	CR 128093	Seal Kit (fits 805600)
11	CR 805158	Pump Motor (New Motor)

Control Handle

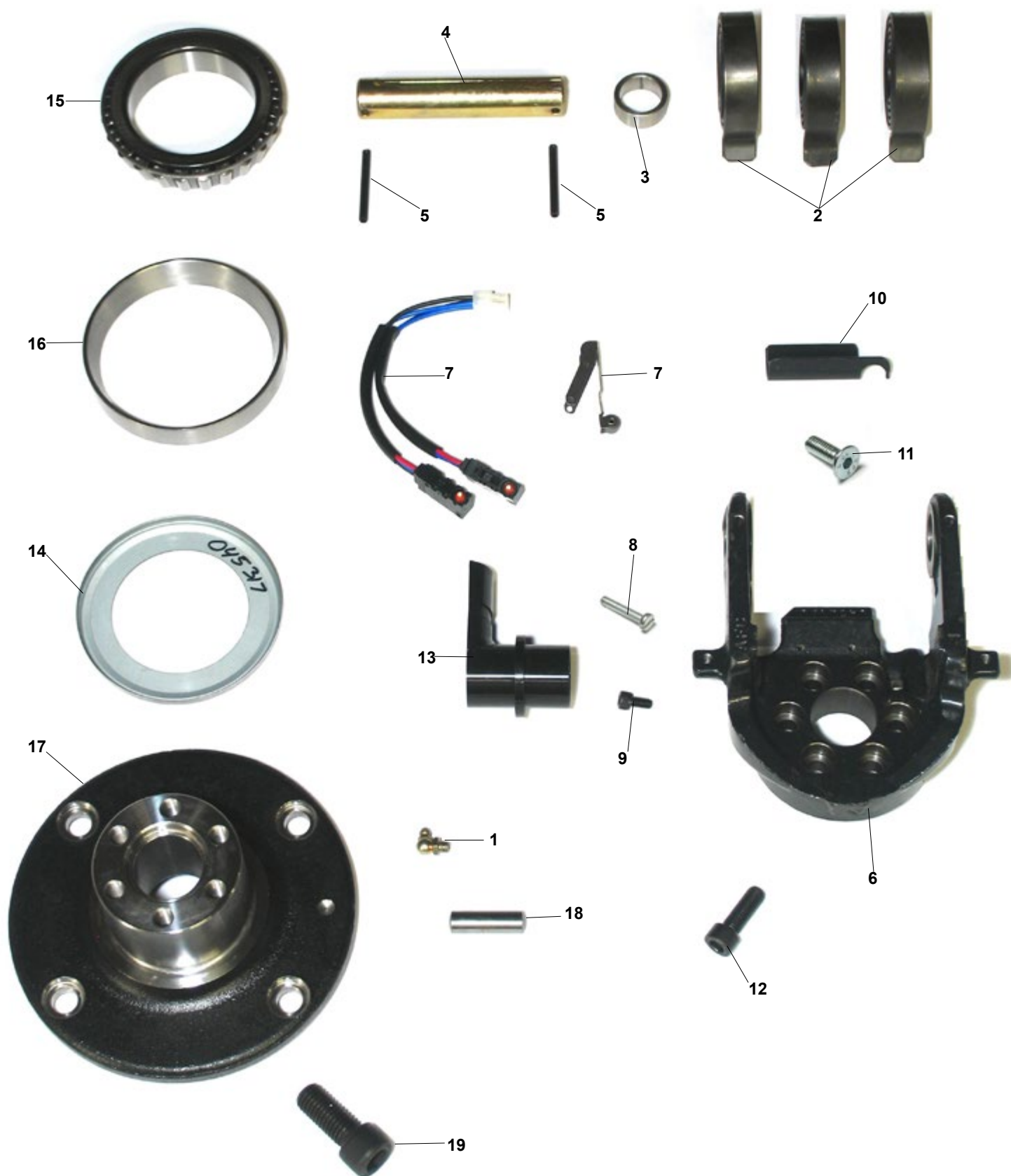


Control Handle

[back to Content page](#)

Item	Part No.	Description
1	CR 804937	Grip
2	CR 050005-087	Screw
3	CR 050005-054	Screw
4	CR 050005-066	Screw
5	CR 045322	Handle Arm
6	CR 051058-001	Bushing
7	CR 803348	Stop
8	CR 050004-010	Screw
9	CR 803918	Switch Assembly
10	CR 050004-001	Screw
11	CR 050005-010	Screw
12	CR 051057-001	Spring
13	CR 803469-002	Screw
14	CR 803330	Guide Plate
15	CR 803325	Bellow
16	CR 802852	Button
17	CR 805867-001	Wiring Harness Assembly
18	CR 805832	Cable Holder
19	CR 050004-038	Screw

Control Arm Knuckle

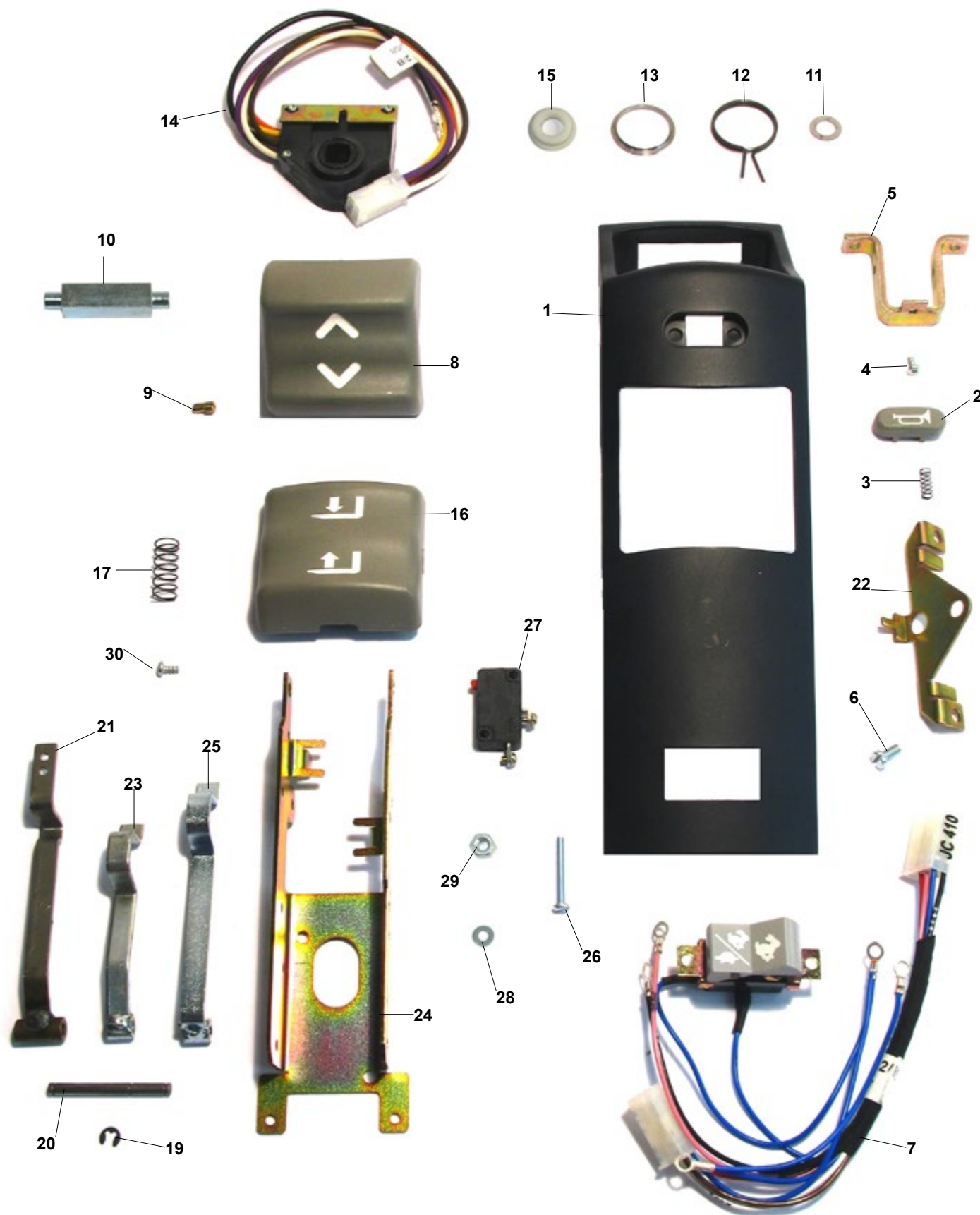


Control Arm Knuckle

[back to Content page](#)

Item	Part No.	Description
1	CR 054011-006	Lube Fitting
2	CR 803013	Spring
3	CR 803353	Spacer
4	CR 805760	Shaft
5	CR 050000-015	Roll Pin
6	CR 045215	Knuckle
7	CR 805859	Switch
	CR 803310	Actuator
8	CR 050004-032	Screw
9	CR 050005-061	Screw
10	CR 805738	Damper Sheet
11	CR 050003-010	Screw
12	CR 050005-032	Screw
13	CR 045234	Cable Protector
14	CR 045317	Seal Metallic
15	CR 045319	Bearing
16	CR 045318	Bearing Outer Race
17	CR 045222	Flange
18	CR 050052-004	Pin
19	CR 050005-037	Screw

Control Pod

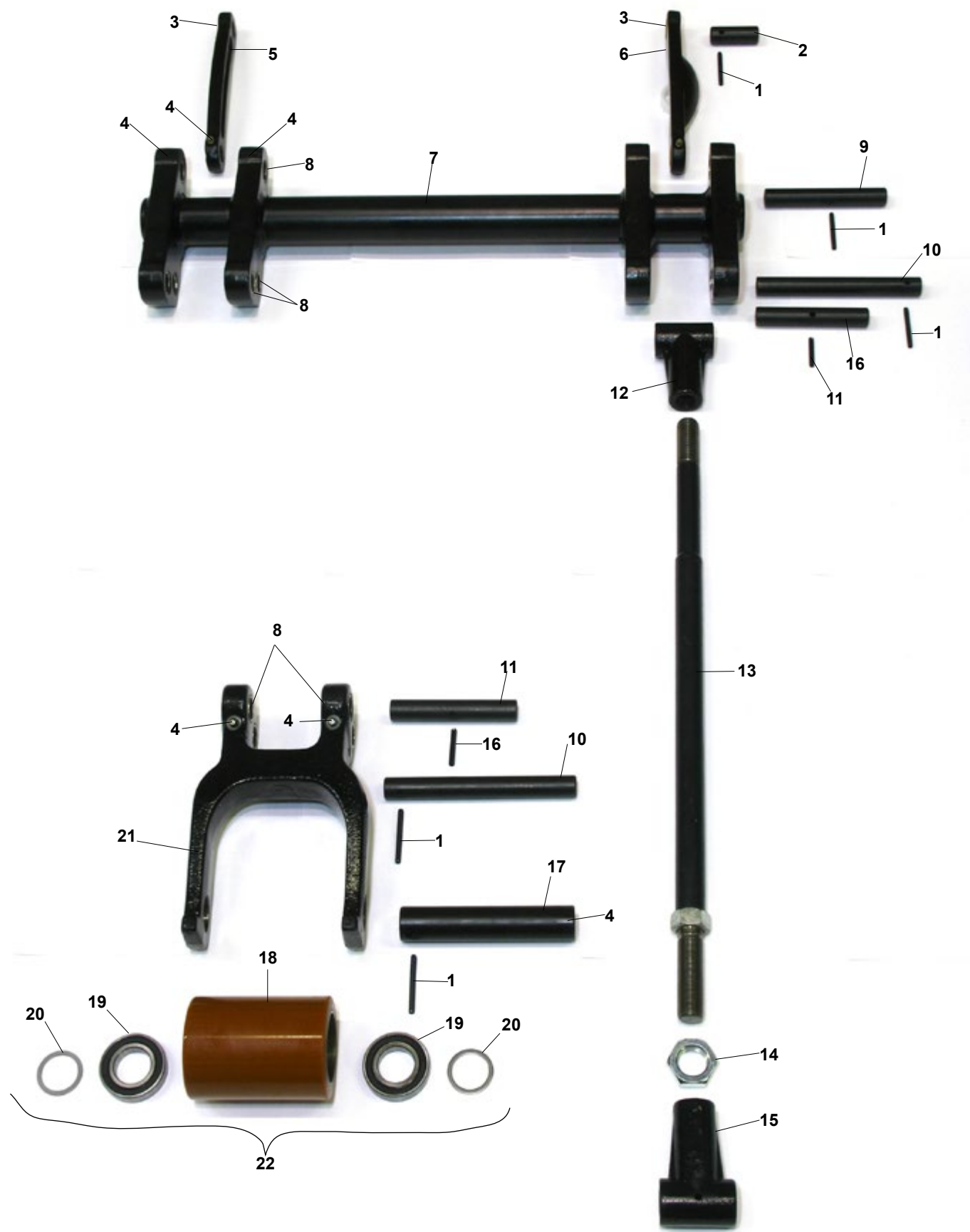


Control Pod

[back to Content page](#)

Item	Part No.	Description
1	CR 807949-001	Control Pod
2	CR 802855	Horn Button
3	CR 051057-002	Spring
4	CR 803469-003	Screw
5	CR 803347	Holder
6	CR 050004-024	Screw
7	CR 805857	Switch Assembly
8	CR 804357	Forward/Reverse Button
9	CR 803392	Adjusting Pin
10	CR 117258	Shaft
11	CR 050009-017	Washer
12	CR 803393	Spring
13	CR 803391	Washer
14	CR 805672	Potentiometer Assembly
15	CR 803390	Washer
16	CR 802856	Raise/Lower Button
17	CR 051057-003	Spring
18	CR 803340	Pin (not shown)
19	CR 050012-031	Retaining Ring
20	CR 803341	Pin
21	CR 803337	Horn Actuator
22	CR 805607	Console
23	CR 803333	Upper Actuator
24	CR 805869-001	Switch Bracket
25	CR 803335	Lower Actuator
26	CR 050004-032	Screw
27	CR 089362	Raise/Lower Switch
28	CR 050009-001	Washer
29	CR 050008-004	Nut
30	CR 050004-005	Screw
31	CR 805868-009	Control Pod Assembly (not shown)

Frame and Undercarriage



Frame and Undercarriage

[back to Content page](#)

Item	Part No.	Description
1	CR 050000-015	Roll Pin
2	CR 045433	Shaft
3	CR 055084-008	Bushing
4	CR 054011-006	Lube Fitting
5	CR 805761-002	Upper Link Assembly, w/Bushings (R.H.)
6	CR 805754-002	Upper Link Assembly, w/Bushings (L.H.)
7	CR 805773-002-04	Lower Link Assembly (27") (Fork Spread)
8	CR 055084-009	Bushing
9	CR 807097	Shaft
10	CR 045224	Axle
11	CR 045469	Axle
12	CR 045292-001	Tension Bar End (Left Hand Thread)
13	CR 045482-002-06	Tension Bar (48" Forks) 7.8" Battery Comp.
14	CR 060021-019	Nut
15	CR 045292-002	Tension Bar End (Right Hand Thread)
16	CR 050000-017	Roll Pin
17	CR 045477	Axle
18	CR 123603	Poly Load Wheel (95A)
19	CR 065081-62	Bearing, Rubber Shield
20	CR 060030-173	Washer
21	CR 805920-002	Riser Assembly, includes Items 4 and 8
22	CR 123603-A	Load Wheel Assembly, includes Items 18, 19 and 20
23	GWK-WP2000-LW GWK-WP2000-LW-XL	Load Wheel Kit, includes (2) Wheels Assemblies, (2) Axles and Fasteners Load Wheel Kit, Poly 97A



Skid Plate / Casters



Skid Plate / Casters

[back to Content page](#)

Item	Part No.	Description
1	CR 808262	Skid Plate
2	CR 050067-043	Screw, Skid Plate
3	CR 805888-010	Caster Wheel Assembly, includes Item 4
4	CR 805888-012	Bearing
5	CR 050000-047	Roll Pin
6	CR 805888-009	Wheel Axle
7	CR 805888-008	Pivot Axle
8	CR 805888-001	Caster Assembly



800-331-0839

www.GenericParts.com