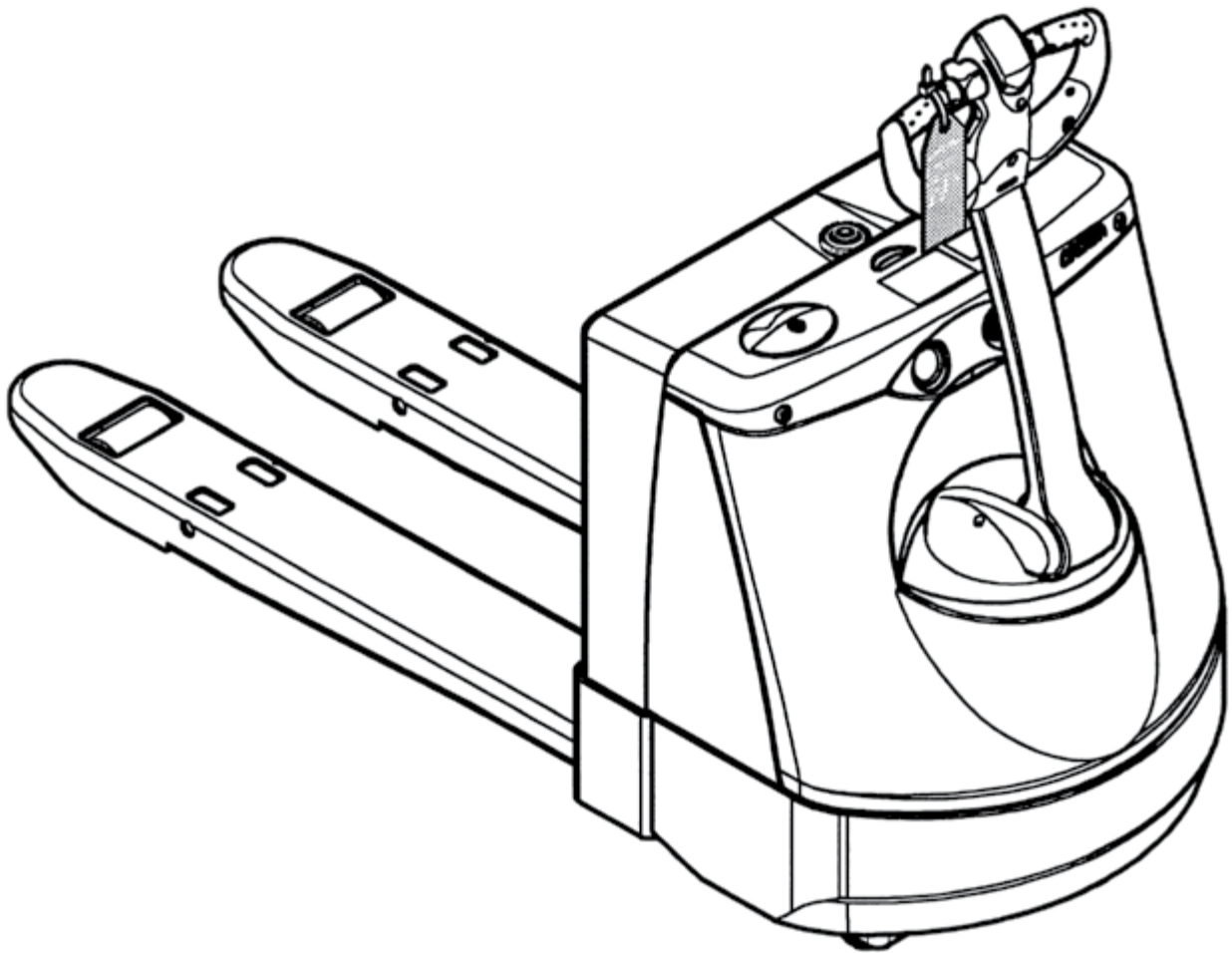


Replacement Parts
for
Crown WP 2300 Series



Truck Data Nomenclature

Contents

WP 2 3 45 - 45

Capacity
45 = 4500 lb. (2040kg)

Relative Size or Performance
30 = 7.8 in. (200mm) battery compartment
35 = 7.8 in. (200mm) battery compartment with trailer package
40 = 9.0 in. (230mm) battery compartment
45 = 9.0 in. (230mm) battery compartment with trailer package

Series Update
Significant change(s) to the product that would not merit a new series number (generation)

Series
Major technical and design changes making the product a new and improved generation

Image Generator
WP - Walkie Pallet

| | |
|---------------------------|---|
| Quick Wheel Lookup | 4 |
|---------------------------|---|

| | |
|---|----|
| Electrical | |
| Battery Tray and Chargers | 6 |
| Power Unit | 8 |
| Instrument Panel | 10 |

| | |
|---|----|
| Drive Unit | |
| Drive Unit | 12 |
| Drive Motor, Brakes and Hydraulic | 14 |
| Control Handle | 16 |
| Control Arm Knuckle | 18 |

| | |
|---------------------------|----|
| Control Handle Cap | 20 |
|---------------------------|----|

| | |
|--------------------------------|----|
| Frame and Undercarriage | 22 |
|--------------------------------|----|

| | |
|------------------------|----|
| Caster Assembly | 24 |
|------------------------|----|

| | |
|---|----|
| Backrest Hardware & Wear Plate | 26 |
|---|----|

Quick Wheel Lookup

Quick Wheel Lookup

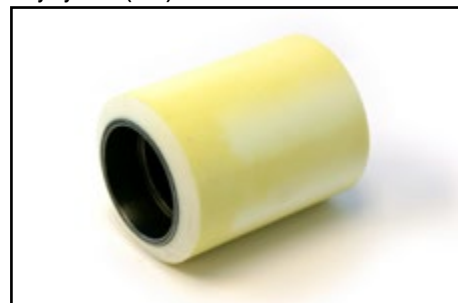
[back to Content page](#)

| OEM # | Wheel Type | Description | Wheel OD in/mm | Tread Width in/mm | Hub Width in/mm | Hub ID in/mm | Bearing OD in/mm | Bearing # | Material/Color |
|------------------|--------------------------|--|----------------|-------------------|-----------------|--------------|------------------|-------------|-------------------|
| CR 813015 | Load Wheel | Poly Load Wheel (95-A) | 3.250 / 83 | 4.500 / 114 | 4.500 / 114 | 2.125 / 54 | 1.181 / 30 | BS 6006 2RS | Scotch, 95-A |
| CR 813014 | Load Wheel Assembly | Poly Load Wheel Assembly 95-A, includes Bearings | 3.250 / 83 | 4.500 / 114 | 4.500 / 114 | 2.125 / 54 | 1.181 / 30 | BS 6006 2RS | Scotch, 95-A |
| CR 813015-XL | Load Wheel | Poly Load Wheel (97-A) | 3.250 / 83 | 4.500 / 114 | 4.500 / 114 | 2.125 / 54 | 1.181 / 30 | BS 6006 2RS | Cream, 97-A |
| CR 813014-XL | Load Wheel Assembly | Poly Load Wheel Assembly 97-A, includes Bearings | 3.250 / 83 | 4.500 / 114 | 4.500 / 114 | 2.125 / 54 | 1.181 / 30 | BS 6006 2RS | Cream, 97-A |
| GWK-WP2300-LW | Load Wheel Kit | Kit Includes (2) Load Wheels (95-A) w/ Bearing, Axles, String Guards & Fasteners | 3.250 / 83 | 4.500 / 114 | 4.500 / 114 | 2.125 / 54 | 1.181 / 30 | BS 6006 2RS | Scotch, 95-A |
| GWK-WP2300-LW-XL | Load Wheel Kit, Poly 97A | Kit Includes (2) Load Wheels (97-A) w/ Bearing, Axles & Fasteners | 3.250 / 83 | 4.500 / 114 | 4.500 / 114 | 2.125 / 54 | 1.181 / 30 | BS 6006 2RS | white, 97-A |
| CR 127251 | Drive Tire | Drive Tire, Rubber, Smooth Flat | 10.00 / 254 | 4.00 / 102 | 4.00 / 102 | 6.50 / 165 | n/a | n/a | Rubber, Black |
| CR 127248-001 | Drive Tire Assembly | Drive Tire, Rubber, Smooth Flat w/ Hub | 10.00 / 254 | 4.00 / 102 | 4.00 / 102 | 6.50 / 165 | n/a | n/a | Rubber, Black |
| CR 75715-010 | Drive Tire | Drive Tire, Poly, Smooth Flat | 10.00 / 254 | 4.00 / 102 | 4.00 / 102 | 6.50 / 165 | n/a | n/a | Poly, Maroon 95-A |
| CR 127249 | Drive Tire Assembly | Drive Tire, Poly, Smooth Flat w/ Hub | 10.00 / 254 | 4.00 / 102 | 4.00 / 102 | 6.50 / 165 | n/a | n/a | Poly, Maroon 95-A |
| CR 127250 | Hub | Drive Tire Hub | 10.00 / 254 | 4.00 / 102 | 4.00 / 102 | 6.50 / 165 | n/a | n/a | |
| CR 813128 | Caster Wheel Assembly | Caster Wheel Assembly (95-A) w/ Bearings | 3.50 / 89 | 1.75 / 45 | 2.00 / 51 | 1.850 / 47 | 0.787 / 20 | BS 6204 2RS | Scotch, 95-A |

CR 813015
Load wheel
Poly Hy Load (95A)



CR 813015-XL
Load wheel
Poly Hy Load (97A)



GWK-WP2300-LW
Load wheel kit: 2 Poly Hy Load wheels (95A) w/bearings, axles & fasteners



CR 127248-001
Drive tire assembly, rubber includes hub



CR 127249
Drive tire assembly, Poly includes hub



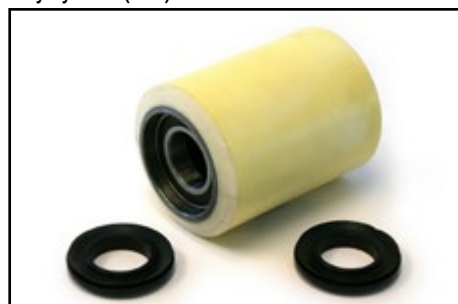
CR 813128
Caster wheel assembly includes bearings and string guards



CR 813014
Load Wheel assembly Poly 95A includes bearings, washers



CR 813014-XL
Load wheel
Poly Hy Load (97A)



GWK-WP2300-LW-XL
Load wheel kit: 2 Poly Hy Load wheels (97A) w/bearings, axles & fasteners



CR 127251
Drive tire
smooth black rubber



CR 75715-010
Drive tire, Poly 95A



CR 127250
Tire hub



Electrical - Battery Tray and Chargers



Electrical - Battery Tray and Chargers

[back to Content page](#)

| Item | Part No. | Description |
|------|------------------|--|
| 1 | CR 813144 | Charger 120V 60 Hz |
| 2 | CR 127537 | Charger Cord, AC Jumper |
| 3 | CR 808172 | Cover Assembly |
| 4 | CR 807729 | Battery Tray Assembly |
| 5 | CR 808278 | Battery Tray Assembly, Swing out (not Shown) |
| 6 | CR 78723-002 | Battery Connector, Gray 175 Amp |
| 7 | CR 78724-001 | Contact Set (2pc), 175 Amp |
| 8 | CR 045239-002 | Disconnect Handle, Lower |
| 9 | CR 045239-001-03 | Disconnect Handle, Upper |
| 10 | CR 805814 | Spring Paper Clip (not Shown), Battery Cover |
| 11 | CR 805845 | Housing (not Shown), Battery Cover |

Electrical - Power Unit

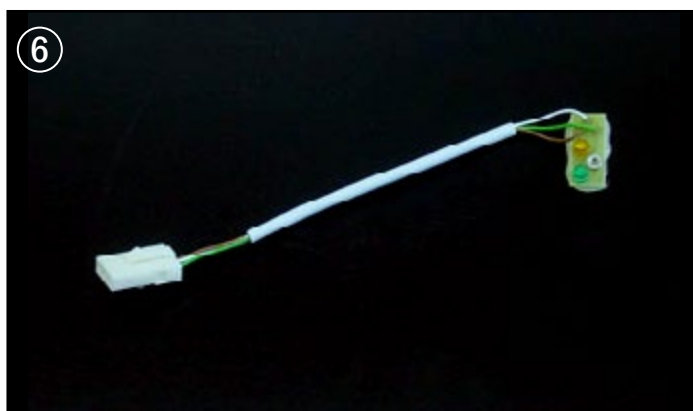
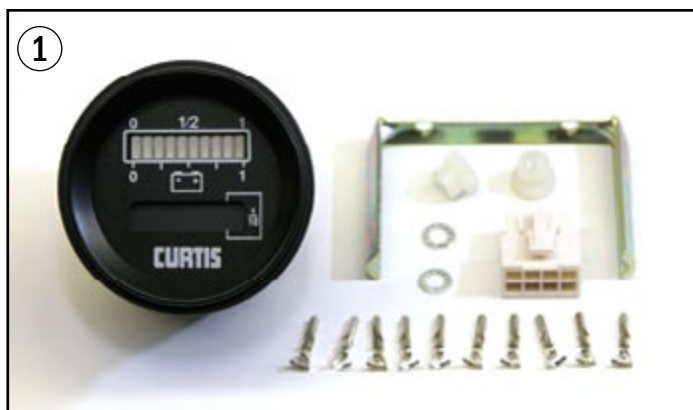


Electrical - Power Unit

[back to Content page](#)

| Item | Part No. | Description |
|------|--------------------------------------|--|
| 1 | CR 813096-001-R CR 813096-002-R-C | Controller (Renewed) Core Deposit |
| 2 | CR 802820 | Contactor, 24V |
| 3 | CR 078708-002 | Horn |
| 4 | CR 805864 CR 808032 | Micro Switch (LMS) Micro Switch (LMS) F/C (not Shown) |
| 5 | CR 803310 | Switch Actuator |
| 6 | CR 802816-005 | Fuse, 125 Amp (FU1) |
| 7 | CR 805824 | Fuse Holder |

Electrical - Instrument Panel

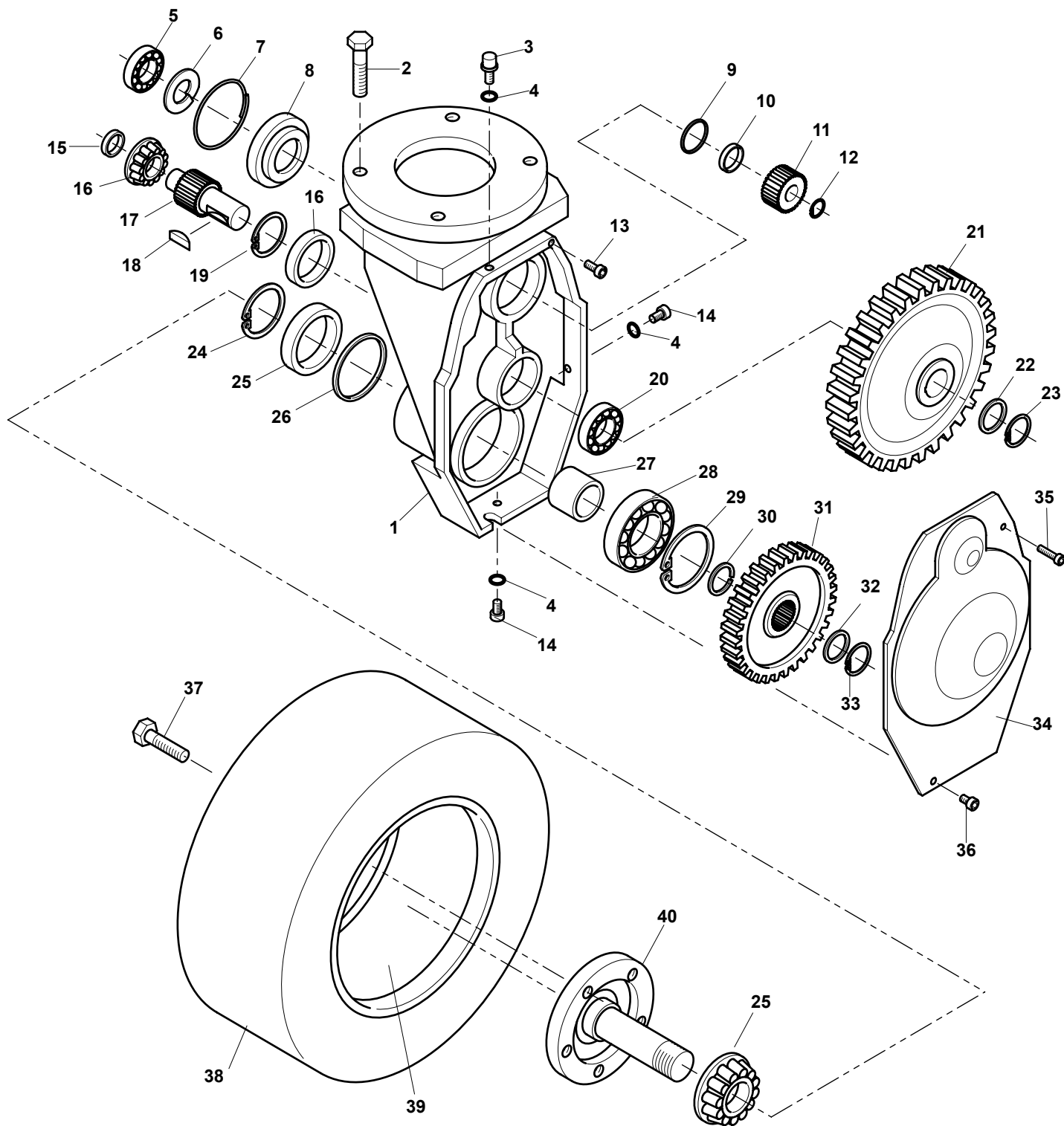


Electrical - Instrument Panel

[back to Content page](#)

| Item | Part No. | Description |
|------|---------------|---|
| 1 | CR 802833 | Unigauge |
| | CR 113773-006 | Hour Meter (not Shown) |
| | CR 106288 | Battery Discharge Meter (not Shown) |
| | CR 126238-002 | Battery Discharge Meter for MFB (not Shown) |
| 2 | CR 072708-OEM | Key Switch, Includes 2 keys, Ring & Nut |
| 3 | CR 077633 | Toggle Switch, Includes Nut |
| 4 | CR 120127 | Flange Inlet, AC |
| 5 | CR 810562 | Charger LED |
| 6 | CR 805752 | Fuse Holder |
| | CR 805751-001 | Fuse 10A (FU2) |
| | CR 805751-002 | Fuse, 2A (FU3) (not Shown) |
| 7 | CR 805892 | Thermostat, F/C |
| 8 | CR 813537-234 | Cover, Unit with Battery Charger |
| | CR 813537-231 | Cover, Unit w/o Battery Charger (not Shown) |

Drive Unit



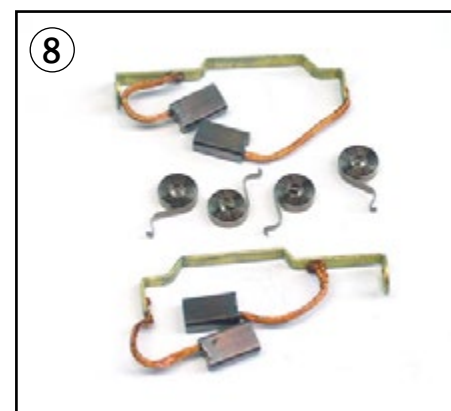
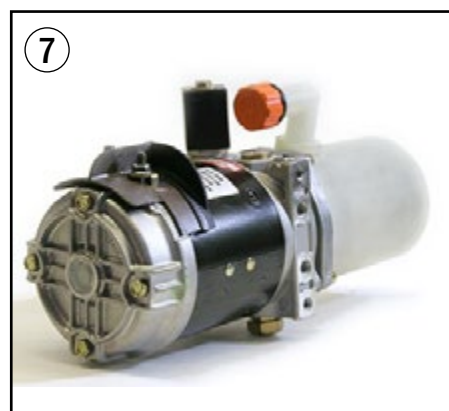
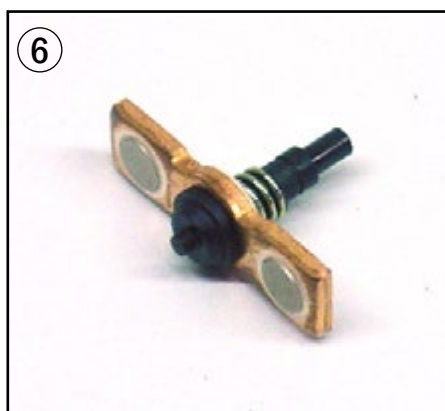
Drive Unit

[back to Content page](#)

| Item | Part No. | Description |
|------|---------------|----------------|
| 1 | CR 805101 | Housing |
| 2 | CR 050005-037 | Screw |
| 3 | CR 805109 | Breather |
| 4 | CR 805110-003 | Seal |
| 5 | CR 805111-005 | Bearing |
| 6 | CR 805116-002 | Washer |
| 7 | CR 805117 | O-ring |
| 8 | CR 805113-002 | Bushing |
| 9 | CR 805110-002 | Seal |
| 10 | CR 805118 | Ring |
| 11 | CR 805108 | Pinion |
| 12 | CR 805112-005 | Retaining ring |
| 13 | CR 805115-003 | Screw |
| 14 | CR 805115-004 | Screw |
| 15 | CR 805107 | Cap |
| 16 | CR 805111-003 | Bearing |
| 17 | CR 805105 | Pinion |
| 18 | CR 805106 | Key |
| 19 | CR 805112-004 | Retaining ring |
| 20 | CR 805111-004 | Bearing |
| 21 | CR 805104 | Gear |
| 22 | CR 805116-001 | Washer |
| 23 | CR 805112-003 | Retaining ring |
| 24 | CR 805112-001 | Retaining ring |
| 25 | CR 805111-001 | Ball bearing |
| 26 | CR 805110-001 | Seal |
| 27 | CR 805113-001 | Bushing |
| 28 | CR 805111-002 | Bearing |

| Item | Part No. | Description |
|------|------------------|---|
| 29 | CR 805112-006 | Retaining ring |
| 30 | CR 805114-001 | Shim |
| 31 | CR 805102 | Gear |
| 32 | CR 805114-002 | Shim |
| 33 | CR 805112-002 | Retaining ring |
| 34 | CR 805103 | Gear box |
| 35 | CR 805115-002 | Screw |
| 36 | CR 805115-001 | Screw |
| 37 | CR 050074-002 | Lug bolt |
| 38 | CR 127251 | Drive Tire, rubber, smooth flat |
| | CR 127248-001 | Drive Tire, rubber, smooth flat, includes Hub |
| | CR 127251-XG | Drive Tire, rubber, X Groove |
| | CR 127248-001-XG | Drive Tire, rubber, X Groove, includes Hub |
| | CR 75715-010 | Drive Tire, Poly 90-92A, smooth flat |
| | CR 127249 | Drive Tire Assembly, Poly 90-92A, smooth flat, includes Hub |
| | CR 75715-010-XG | Drive Tire, Poly 90-92A, X Groove |
| | CR 127249-XG | Drive Tire Assembly, Poly 90-92A, X groove, includes Hub |
| 39 | CR 127250 | Hub |
| 40 | CR 805100 | Wheel Shaft |

Drive Motor, Brake and Hydraulics



Drive Motor, Brake and Hydraulics

[back to Content page](#)

| Item | Part No. | Description |
|------|---------------|---|
| 1 | CR 805839-AM | Traction Motor (Aftermarket) (Original OEM Motor) |
| 2 | CR 128092 | Brush Kit, includes 4 Brushes & 4 Springs |
| 3 | CR 807102 | Brake Assembly |
| 4 | CR 802820 | Contact (Pump & Line) |
| 5 | CR 803689 | Fixed Contact |
| 6 | CR 803690 | Moveable Contact |
| 7 | CR 805770-001 | Pump and Motor Assembly |
| 8 | CR 128091 | Brush & Spring Kit (Hydraulic Pump Motor) |
| 9 | CR 805600 | Lift Cylinder Assembly |
| 10 | CR 128093 | Seal Kit |
| 11 | CR 805158 | Pump Motor (New Motor) |

Control Handle

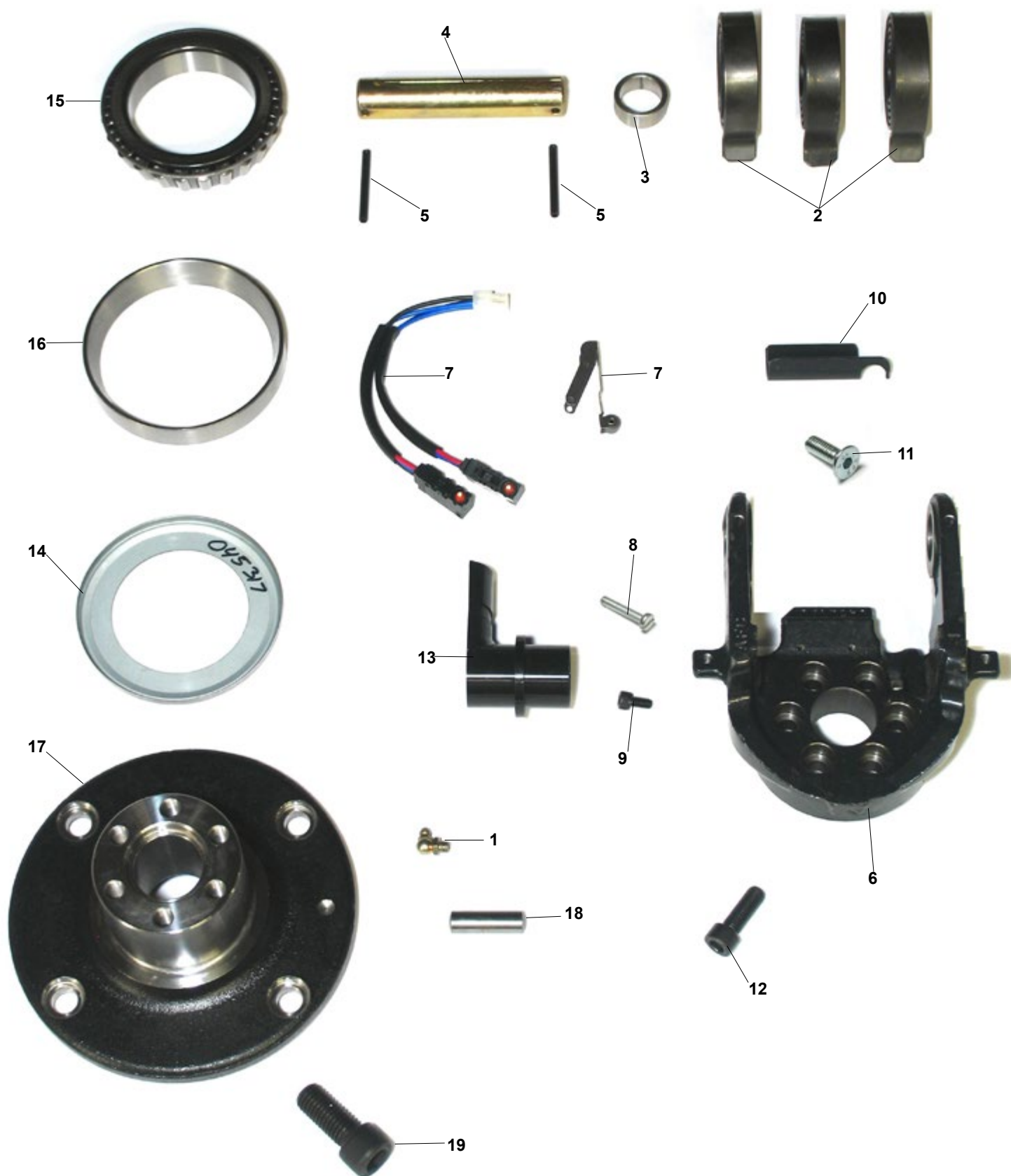


Control Handle

[back to Content page](#)

| Item | Part No. | Description |
|------|------------------|-----------------------------|
| 1 | CR 808799 | Tiller |
| 2 | CR 051058-001 | Bushing |
| 3 | CR 811953 | Tiller Harness |
| 4 | CR 812894-002 | Screw |
| 5 | CR 808986 | Lower Shell |
| 6 | CR 792940 | Nut |
| 7 | CR 812893-003 | Screw |
| 8 | CR 812893-001 | Screw |
| 9 | CR 808985 | Upper Shell |
| 10 | CR 808987-001 | Hand Grip (RH) |
| 11 | CR 808987-002 | Hand Grip (LH) |
| 12 | CR 812894-003 | Screw |
| 13 | CR 811932-002 | Horn Switch (HNS2) |
| 14 | CR 811931 | Horn Harness |
| 15 | CR 810336 | Plug |
| 16 | CR 814286 | Nut |
| 17 | CR 814287 | Washer |
| 18 | CR 812893-004 | Screw |
| 19 | CR 811913-001-01 | Handle Assembly (not Shown) |
| 20 | CR 811932-001 | Horn Switch (HNS1) |

Control Arm Knuckle



Control Arm Knuckle

[back to Content page](#)

| Item | Part No. | Description |
|------|---------------|--------------------|
| 1 | CR 054011-006 | LubeFitting |
| 2 | CR 803013 | Spring |
| 3 | CR 803353 | Spacer |
| 4 | CR 805760 | Shaft |
| 5 | CR 050000-015 | Roll Pin |
| 6 | CR 045215 | Knuckle |
| 7 | CR 805859 | Switch |
| | CR 803310 | Actuator |
| 8 | CR 050004-032 | Screw |
| 9 | CR 050005-061 | Screw |
| 10 | CR 805738 | Damper Sheet |
| 11 | CR 050003-010 | Screw |
| 12 | CR 050005-032 | Screw |
| 13 | CR 045234 | Cable Protector |
| 14 | CR 045317 | Seal Metallic |
| 15 | CR 045319 | Bearing |
| 16 | CR 045318 | Bearing Outer Race |
| 17 | CR 045222 | Flange |
| 18 | CR 050052-004 | Pin |
| 19 | CR 050005-037 | Screw |

Control Handle Cap

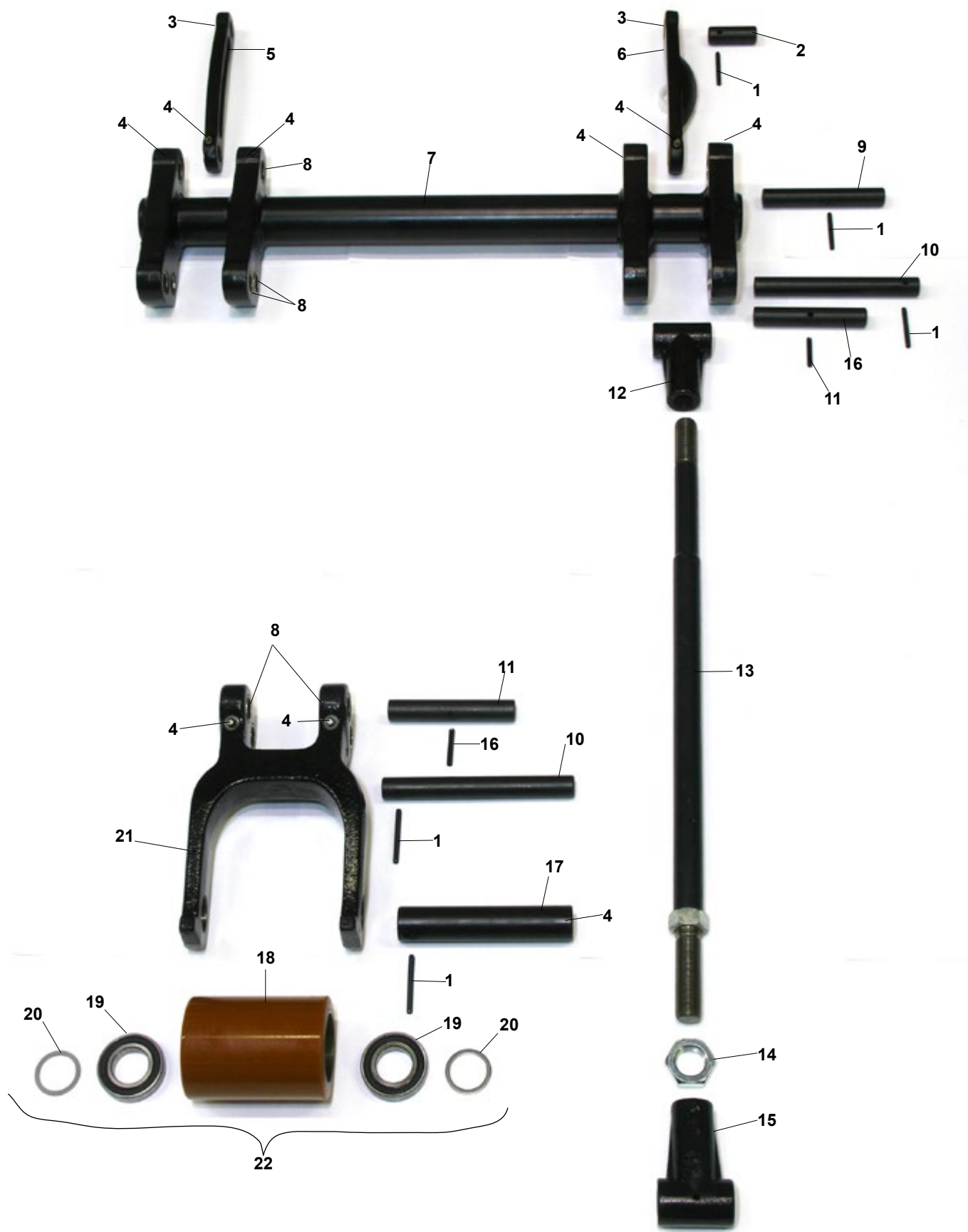


Control Handle Cap

[back to Content page](#)

| Item | Part No. | Description |
|------|--------------------------------|--|
| 1 | CR 808951-001 | Switch Cover |
| 2 | CR 812893-002 | Screw |
| 3 | CR 810328 | Support |
| 4 | CR 812894-002 | Screw |
| 5 | CR 811935 | Micro-Switch SAS |
| 6 | CR 803469-018 | Screw |
| 7 | CR 051057-026 | Spring |
| 8 | CR 811936 | Button Bridge |
| 9 | CR 803469-017 | Screw |
| 10 | CR 808992 | Button |
| 11 | CR 812941 CR 812272 | Main PC Board Main PC Board F/C |
| 12 | CR 812942-001 CR 812273-001 | Hydraulic PC Board Hydraulic PC Board F/C |
| 13 | CR 811941 CR 812877 | Fast/Slow Switch, HSS Fast/Slow Switch, F/C, HSS |
| 14 | CR 808990 | Lower Cover |
| 15 | CR 810332 | Support |
| 16 | CR 051057-021 | Spring |
| 17 | CR 811940 | Shaft |
| 18 | CR 050012-075 | Retaining Ring |
| 19 | CR 810331 | Support |
| 20 | CR 811939 | Shaft |
| 21 | CR 808989 | Lift Cover |
| 22 | CR 051057-023 | Spring |
| 23 | CR 812894-004 | Screw |
| 24 | CR 803469-023 | Screw |
| 25 | CR 808993-002 | Thumb Wheel LH |
| 26 | CR 050012-076 | Retaining Ring |
| 27 | CR 810335 | Bushing |
| 28 | CR 813533 CR 813534 | Traction Potentiometer POT Traction Potentiometer POT F/C |
| 29 | CR 810333 | Activator |
| 30 | CR 811937 | Shaft |
| 31 | CR 812884 | Spring |
| 32 | CR 808993-001 | Thumb Wheel RH |
| 33 | CR 051057-028 | Spring |
| 34 | CR 051057-022 | Spring |

Frame and Undercarriage



Frame and Undercarriage

[back to Content page](#)

| Item | Part No. | Description |
|------|------------------|--|
| 1 | CR 050000-015 | Poll Pin |
| 2 | CR 045433 | Shaft |
| 3 | CR 055084-008 | Bushing |
| 4 | CR 054011-006 | Lube Fitting |
| 5 | CR 805761-002 | Upper Link Assembly, w/Bushings (R.H.) |
| 6 | CR 805754-002 | Upper Link Assembly, w/Bushings (L.H.) |
| 7 | CR 805773-002-04 | Lower Link Assembly, 27" Fork Spread |
| 8 | CR 055084-009 | Bushing |
| 9 | CR 807097 | Shaft |
| 10 | CR 045224 | Axle |
| 11 | CR 045469 | Axle |
| 12 | CR 045292-001 | Tension Bar End (Left Hand Thread) |
| 13 | CR 045482-002-06 | Tension Bar (48" Forks) 7.8" Battery Comp. |
| 14 | CR 060021-019 | Nut |
| 15 | CR 045292-002 | Tension Bar End (Right Hand Thread) |
| 16 | CR 050000-017 | Roll Pin |
| 17 | CR 045477 | Axle |
| 18 | CR 813015 | Poly Load Wheel (95A) |
| 19 | CR 065081-62 | Bearing, Rubber Shield |
| 20 | CR 813016 | String Guard |
| 21 | CR 805920-002 | Riser Assembly, includes Items 4 and 8 |
| 22 | CR 813014 | Load Wheel Assembly, includes Items 18, 19 and 20 |
| | GWK-WP2300-LW | Load Wheel Kit, includes (2) Wheels Assemblies, (2) Axles and Fasteners |
| | GWK-WP2300-LW-XL | Load Wheel Kit, includes (2) Wheels Assemblies Poly 97A, (2) Axles and Fasteners |



Skid Plate / Casters

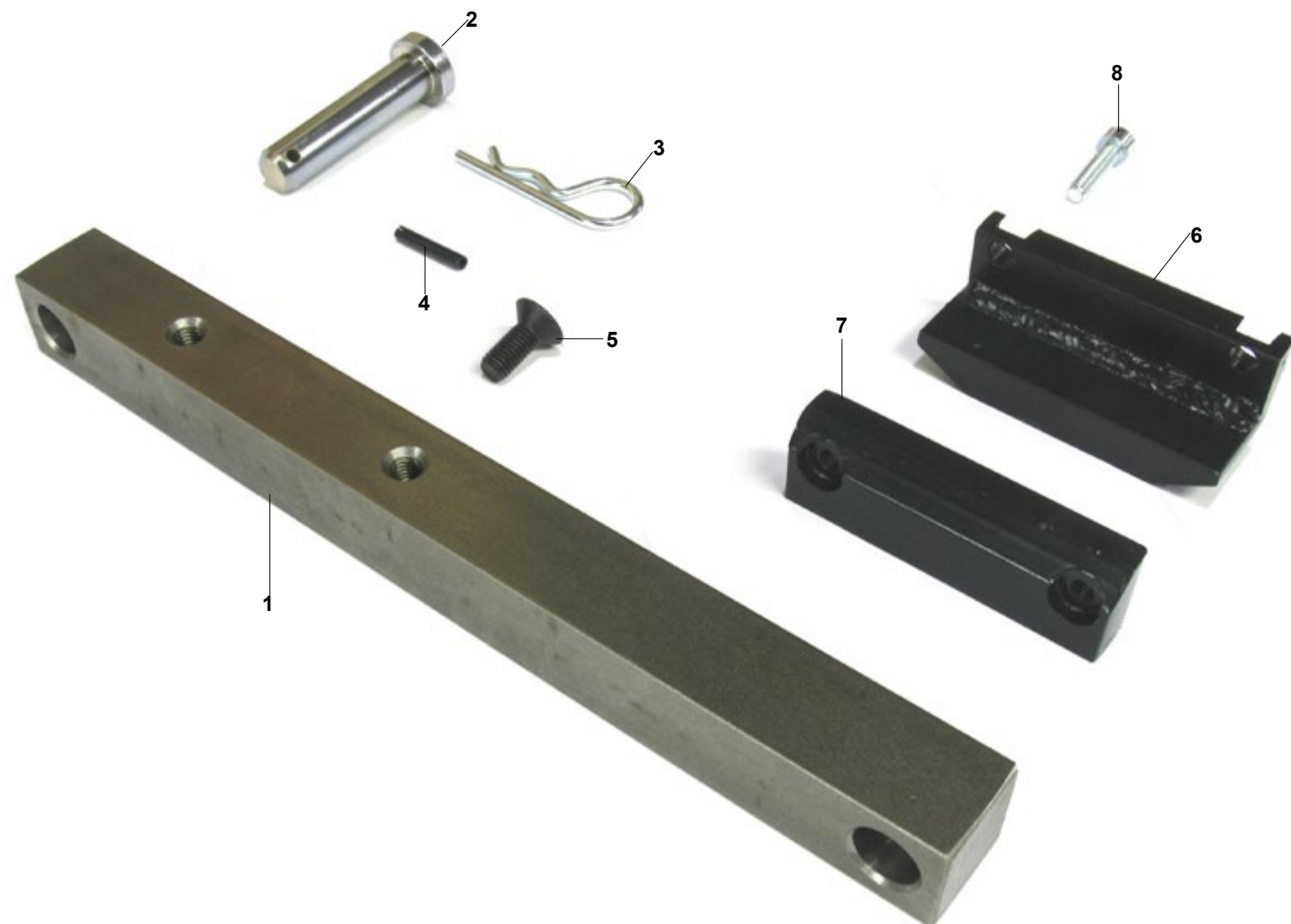


Skid Plate / Casters

[back to Content page](#)

| Item | Part No. | Description |
|------|---------------|--|
| 1 | CR 808262 | Skid Plate |
| 2 | CR 050067-043 | Screw, Skid Plate |
| 3 | CR 805888-010 | Caster Wheel Assembly, includes Item 4 |
| 4 | CR 805888-012 | Bearing |
| 5 | CR 050000-047 | Roll Pin |
| 6 | CR 805888-009 | Wheel Axle |
| 7 | CR 805888-008 | Pivot Axle |
| 8 | CR 805888-001 | Caster Assembly |

Backrest Hardware & Wear Plate



[back to Content page](#)

Backrest Hardware & Wear Plate

| Item | Part No. | Description |
|------|---------------|----------------|
| 1 | CR 813051 | Pivot Block |
| 2 | CR 813050 | Clevis Pin |
| 3 | CR 050026-002 | Cotter Pin |
| 4 | CR 050000-012 | Roll Pin |
| 5 | CR 050003-043 | Screw |
| 6 | CR 131257 | Wear Plate |
| 7 | CR 131260 | Retainer Plate |
| 8 | CR 50005-025 | Screw |



800-331-0839

www.GenericParts.com