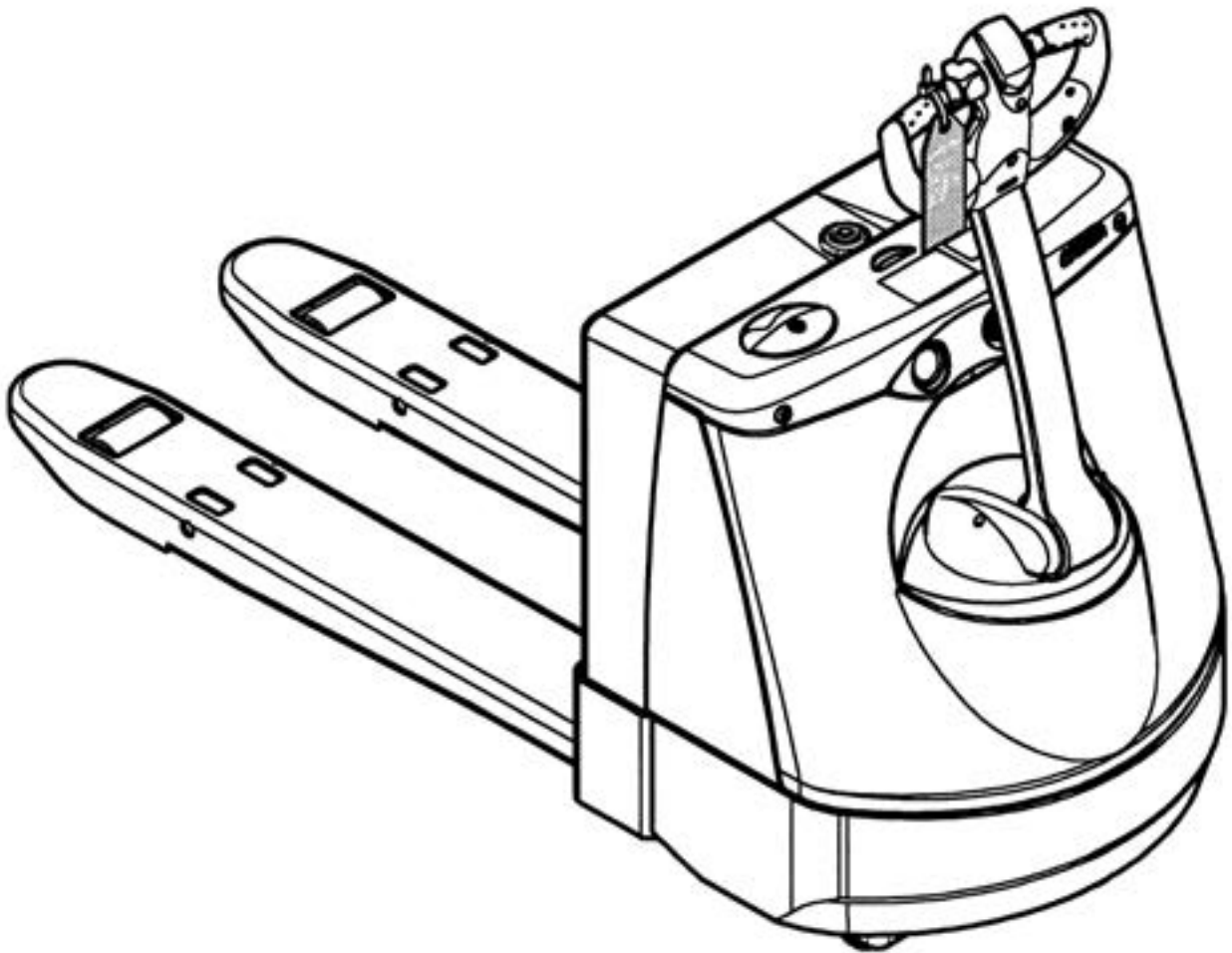
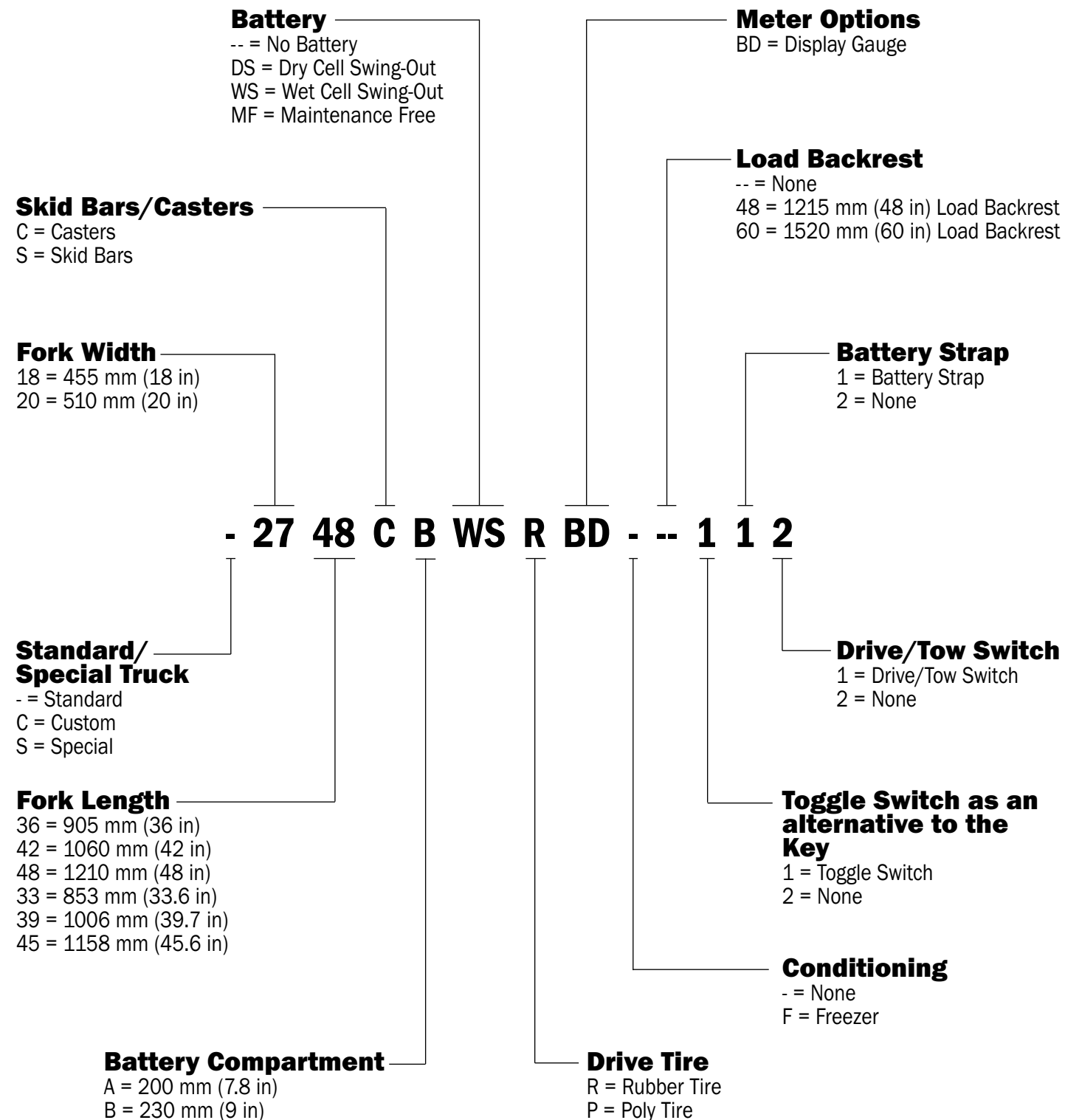


**Replacement Parts**  
**for**  
**Crown WP 3000 Series**



# Truck Data Nomenclature



# Contents

<a href="#">Quick Wheel Lookup</a>	4
<b>Electrical</b>	
<a href="#">Battery Tray and Chargers</a>	6
<a href="#">Power Unit</a>	8
<a href="#">Instrument Panel</a>	10
<b>Drive Unit</b>	
<a href="#">Drive Unit &amp; Brake</a>	12
<a href="#">Knuckle</a>	14
<b>Control Handle</b>	
<a href="#">Control Handle</a>	16
<a href="#">Control Handle Cap</a>	18
<b>Hydraulic Pump, Cylinders &amp; Hoses</b>	20
<b>Frame and Undercarriage</b>	22
<b>Skid Plate/Caster Assembly</b>	24
<b>Load Backrest, Hardware &amp; Skidplate</b>	26

## Quick Wheel Lookup

## Quick Wheel Lookup

[back to Content page](#)

OEM #	Wheel Type	Description	Wheel OD in/mm	Tread Width in/mm	Hub Width in/mm	Hub ID in/mm	Bearing OD in/mm	Bearing #	Material/Color
CR 813015	Load Wheel	Poly Load Wheel (95-A)	3.250 / 83	4.500 / 114	4.500 / 114	2.125 / 54	1.181 / 30	BS 6006 2RS	Scotch, 95-A
CR 813014	Load Wheel Assembly	Poly Load Wheel Assembly (95-A)	3.250 / 83	4.500 / 114	4.500 / 114	2.125 / 54	1.181 / 30	BS 6006 2RS	Scotch, 95-A
CR 813015-XL	Load Wheel	Poly Load Wheel (97-A)	3.250 / 83	4.500 / 114	4.500 / 114	2.125 / 54	1.181 / 30	BS 6006 2RS	Cream, 97-A
CR 813014-XL	Load Wheel Assembly	Poly Load Wheel Assembly (97-A)	3.250 / 83	4.500 / 114	4.500 / 114	2.125 / 54	1.181 / 30	BS 6006 2RS	Cream, 97-A
GWK-WP3000-LW	Load Wheel Kit	Kit Includes (2) Load Wheels (95-A) w/ Bearing, Axles & Fasteners	3.250 / 83	4.500 / 114	4.500 / 114	2.125 / 54	1.181 / 30	BS 6006 2RS	Scotch, 95-A
GWK-WP3000-LW-XL	Load Wheel Kit, Poly 97A	Kit Includes (2) Load Wheels (97-A) w/ Bearing, Axles & Fasteners	3.250 / 83	4.500 / 114	4.500 / 114	2.125 / 54	1.181 / 30	BS 6006 2RS	white, 97-A
CR 127251	Drive Tire	Drive Tire, Rubber, Smooth Flat	10.00 / 254	4.00 / 102	4.00 / 102	6.50 / 165	n/a	n/a	Rubber, Black
CR 127248-001	Drive Tire Assembly	Drive Tire, Rubber, Smooth Flat w/ Hub	10.00 / 254	4.00 / 102	4.00 / 102	6.50 / 165	n/a	n/a	Rubber, Black
CR 75715-010	Drive Tire	Drive Tire, Poly, Smooth Flat	10.00 / 254	4.00 / 102	4.00 / 102	6.50 / 165	n/a	n/a	Poly, Maroon 95-A
CR 127249	Drive Tire Assembly	Drive Tire, Poly, Smooth Flat w/ Hub	10.00 / 254	4.00 / 102	4.00 / 102	6.50 / 165	n/a	n/a	Poly, Maroon 95-A
CR 127250	Hub	Drive Tire Hub	10.00 / 254	4.00 / 102	4.00 / 102	6.50 / 165	n/a	n/a	
CR 813129	Caster Wheel	Caster Wheel (95-A)	3.50/89	1.75/45	2.00/51	2.165/55	1.181/30	BS 6006 2RS	Scotch, 95-A
CR 813128	Caster Wheel Assy	Caster Wheel Assembly (95-A) w/ Bearings	3.50 / 89	1.75 / 45	2.00 / 51	1.850 / 47	0.787 / 20	BS 6204 2RS	Scotch, 95-A

**CR 813015**  
Load Wheel  
Poly Hy Load (95A)



**CR 813015-XL**  
Load Wheel  
Poly Hy Load (97A)



**GWK-WP3000-LW**  
Load Wheel kit  
Poly Hy Load (95A)



**CR 127248-001**  
Drive Tire Assembly, Rubber  
Includes Hub



**CR 127249**  
Drive Tire Assembly, Poly  
Includes Hub



**CR 813128**  
Caster Wheel Assembly  
Includes String Guard



**CR 813014**  
Load Wheel Assembly Poly 95A  
includes Bearings, Washers



**CR 813014-XL**  
Load Wheel Assembly  
Poly Hy Load (97A)



**CR 826702-003**  
Riser & Wheel Assembly



**CR 75715-010**  
Drive Tire, Poly 95A  
**CR 75715-010**  
Drive Tire, Poly 95A



**CR 127250**  
Tire Hub



**CR 813129**  
Caster Wheel



## Electrical - Battery Tray and Charger



## Electrical - Battery Tray and Charger

[back to Content page](#)

Item	Part No.	Description
1	CR 144020	Battery Charger, 120v, 60 Hz
2	CR 149991	Battery Tray, Maintenance Free Batteries
	CR 810512	Battery Tray (WC Batteries) , Swing-Out Wet Cell Batteries
3	CR 078723-002	Gray Connector, SB 175 Amp
	CR 78724-001	Contact Set (2 pc.), 175 A
4	CR 045239-001-03	Battery Disconnect, Upper
5	CR 045239-002	Battery Disconnect, Lower
	CR 150964	Battery Cover Assembly
	CR 150424	Bottom Cover , Not Shown
	CR 150963	Top Cover , Not Shown

## Electrical - Power Unit

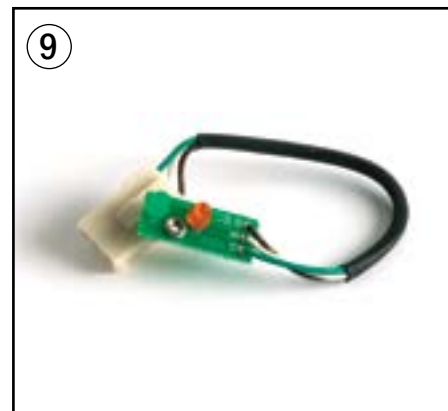


## Electrical - Power Unit

[back to Content page](#)

Item	Part No.	Description
1	CR 148162	Traction Control Module, Rebuilt
2	CR 802820	Contactors
3	CR 078708-002	Horn
4	CR 115565	Travel Alarm
5	CR 148699 CR 151603	Switch Assembly Switch Assembly, 16.5" Harness (units built after 04/13)
6	CR 802816-005	Power Fuse-125 A (FU1)
7	CR 148501	Power Fuse Holder
8	CR 148747 CR 129559	Lift Limit Switch Drive/Tow Switch

## Electrical - Instrument Panel

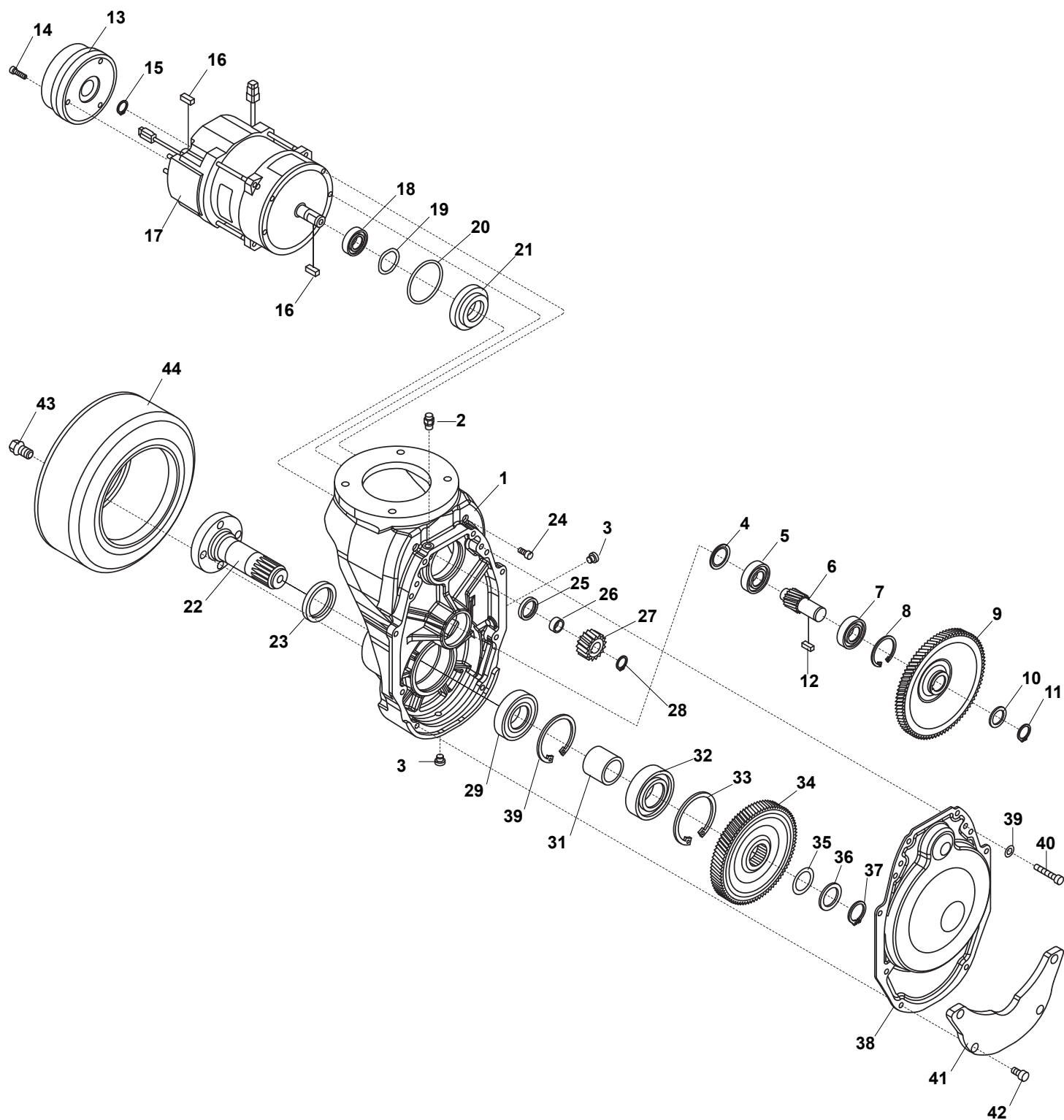


## Electrical - Instrument Panel

[back to Content page](#)

Item	Part No.	Description
1	CR 146286	Key Switch Assy, Includes Switch and Key
2	CR 146289	Ignition Switch
3	CR 107151-001	Key
4	CR 077633	Toggle Switch
5	CR 149352	Flanged AC Inlet
6	CR 805752	Fuse Holder
7	CR 805751-006	Fuse, 4 amp
8	CR 805751-001	Fuse, 10 amp
9	CR 810562-001	LED PCB
10	CR 148595	Display Gauge, BDI
11	CR 077633	Toggle Switch
12	CR 148699	Switch Assembly, Brake Switch BRS/ORS
	CR 131237-004	ECR Plug and Pin Kit
	CR 131237-002	Motor Temp Sensor Plug & Pin Kit
	CR 130197-004	Brake Switch Plug & Pin Kit
	CR 045271-431	Top Cover without Charger (not shown)
	CR 045271-434	Top Cover with Charger (not shown)

# Drive Unit and Brake



# Drive Unit and Brake

[back to Content page](#)

Item	Part No.	Description
	CR 147126-001	AC Drive Unit Assembly
	CR 147126-009	AC Drive Unit Assembly F/S
1	CR 148533	Drive Unit Housing
2	CR 064575	Fill Plug
3	CR 064579-001	Plug
	CR 061004-005	Thread Locking Adhesive
4	CR 060026-003	Expansion Plug
	CR 061004-031	Thread Locking Adhesive
5	CR 065081-080	Ball Bearing
6	CR 143489	Reduction Pinion 2nd
7	CR 065081-083	Ball Bearing
8	CR 060153-005	Retaining Ring
9	CR 143488	Reduction Gear 1st
10	CR 060030-028	Flatwasher
11	CR 060153-002	Retaining Ring
12	CR 061124-001	Key
13	CR 807102	Brake Assembly
14	CR 050005-006	Screw
15	CR 060153-007	Retaining Ring
16	CR 061124-002	Key
17	CR 148423	AC Traction Motor
18	CR 065081-082	Ball Bearing
19	CR 065192	Wave Spring Washer
20	CR 064260-011	O-ring
21	CR 144066	Bearing Holder
22	CR 143483	Wheel Shaft

Item	Part No.	Description
23	CR 064211-009	Oil Seal
24	CR 060062-078	Screw
24	CR 064211-010	Oil Seal
26	CR 145527	Ring
	CR 061004-001	Thread Locking Adhesive
27	CR 143490	Reduction Pinion 1st
28	CR 060153-003	Retaining Ring
29	CR 065193	Cylindrical Roller Bearing
30	CR 060153-004	Retaining Ring
31	CR 143484	Spacer
32	CR 065081-081	Ball Bearing
33	CR 060153-006	Retaining Ring
34	CR 143846	Reduction Gear 2nd
35	CR 145466-001	Shim
36	CR 145466-002	Shim
37	CR 060153-001	Retaining Ring
38	CR 143487	Cover
39	CR 060030-298	Flatwasher
40	CR 060062-009	Screw
41	CR 145670	Impact Cover
42	CR 060063-086	Screw
	CR 061004-002	Thread Locking Adhesive
	CR 061004-006	Thread Locking Adhesive
43	CR 050074-002	Wheel Bolt
44	Page 4	Drive Tire: See Wheel Lookup Section

# Knuckle



# Knuckle

[back to Content page](#)

Item	Part No.	Description
1	CR 054011-006	Lube Fitting
2	CR 803013	Spring, handle return
3	CR 803353	Spacer
4	CR 805760	Shaft
5	CR 050000-015	Roll Pin
6	CR 045215	Knuckle
7	CR 148699	Switch Assembly
	CR 151603	Switch Assembly, 16.5" Harness (units built after 04/13)
8	CR 803310	Actuator
9	CR 805738	Damper Sheet
10	CR 050003-010	Screw
11	CR 050005-032	Cap Screw
12	CR 045234	Cable Protector
13	CR 045317	Seal metallic
14	CR 045319	Bearing
15	CR 045318	Bearing Outer Race
16	CR 045222	Steer Bearing Flange
17	CR 050052-004	Dowel Pin
18	CR 050005-075	Cap Screw, Steering Flange
19	CR 813342	Knuckle Cover



## Control Handle



## Control Handle

[back to Content page](#)

Item	Part No.	Description
	CR 148842-900-01-1	Tiller Assembly Complete, Special Order
	CR 148842-900-01-2	Tiller Assembly Complete F/C, Special Order
1	CR 808799	Tiller
2	CR 051058-001	Bushing
3	CR 148520	Tiller Harness
4	CR 812894-002	Screw
5	CR 808986	Lower Shell
6	CR 808985	Upper Shell
7	CR 079240	U-Nut Retainer
8	CR 812894-003	Screw
9	CR 812894-005	Screw
10	CR 814287	Washer
11	CR 814286	Nut
12	CR 808987-001	LH Handgrip
13	CR 808987-002	RH Handgrip
14	CR 811932-001	LH Horn Switch Assy, Incl. Switch W/Connector, Spring, Button
15	CR 811932-002	RH Horn Switch Assy, Incl. Switch W/Connector, Spring, Button
16	CR 810336	Handgrip Plug
18	CR 812894-004	Screw
19	CR 826119	Horn Harness, XIO
	CR 148843-900-01-1	Switch Cap Assembly
	CR 148843-900-01-2	Switch Cap Assembly F/C
20	CR 812893-005	Screw

# Control Handle Cap

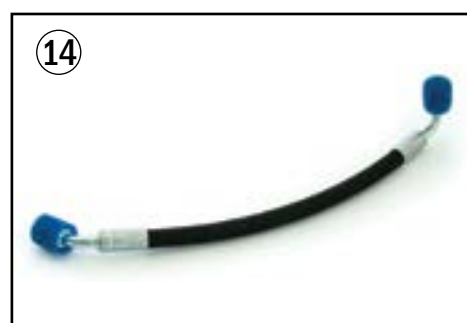
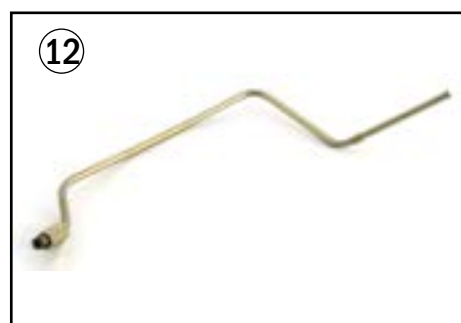
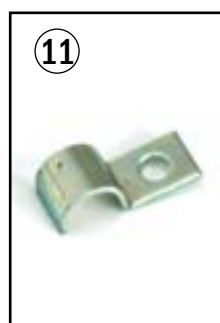


# Control Handle Cap

[back to Content page](#)

Item	Part No.	Description
1	CR 808951-001	Switch Cap
2	CR 812893-002	Screw
3	CR 810328	Main Bracket Support
4	CR 812894-002	Screw
5	CR 818731	Brake Switch Assembly
6	CR 803469-018	Screw
7	CR 051057-028	Spring
8	CR 811936	Button Bridge
9	CR 803469-017	Screw
10	CR 808992	Button
11	CR 825705	Main PC Board
	CR 825706	Main PC Board, Freezer
12	CR 812942-001	Hydraulic PC Board
	CR 812273-001	Hydraulic PC Board, Freezer
13	CR 812943-001	High Speed Switch
	CR 812274-001	High Speed Switch, Freezer
14	CR 808990	Lower Cap
15	CR 810332	Support
16	CR 051057-021	Spring
17	CR 811940	Shaft
18	CR 050012-075	Retaining Ring
19	CR 810331	Lift Button Support
20	CR 811939	Square Shaft
21	CR 808989	Lift Cover
22	CR 051057-024	Spring
23	CR 812894-004	Screw
24	CR 803469-023	Screw
25	CR 808993-002	Thumb Wheel, Right Hand
26	CR 050012-075	Retaining Ring
27	CR 810335	Bushing
28	CR 813533	Traction Potentiometer
	CR 813534	Traction Potentiometer, Freezer
29	CR 810333	Activator Spring
30	CR 811937	Shaft
31	CR 812884	Torsion Spring
32	CR 808993-001	Thumb Wheel, Left Hand
33	CR 051057-028	Spring
34	CR 051057-023	Spring
35	CR 826119	Horn Harness, X10 Handle

## Hydraulic Pump, Cylinders & Hoses

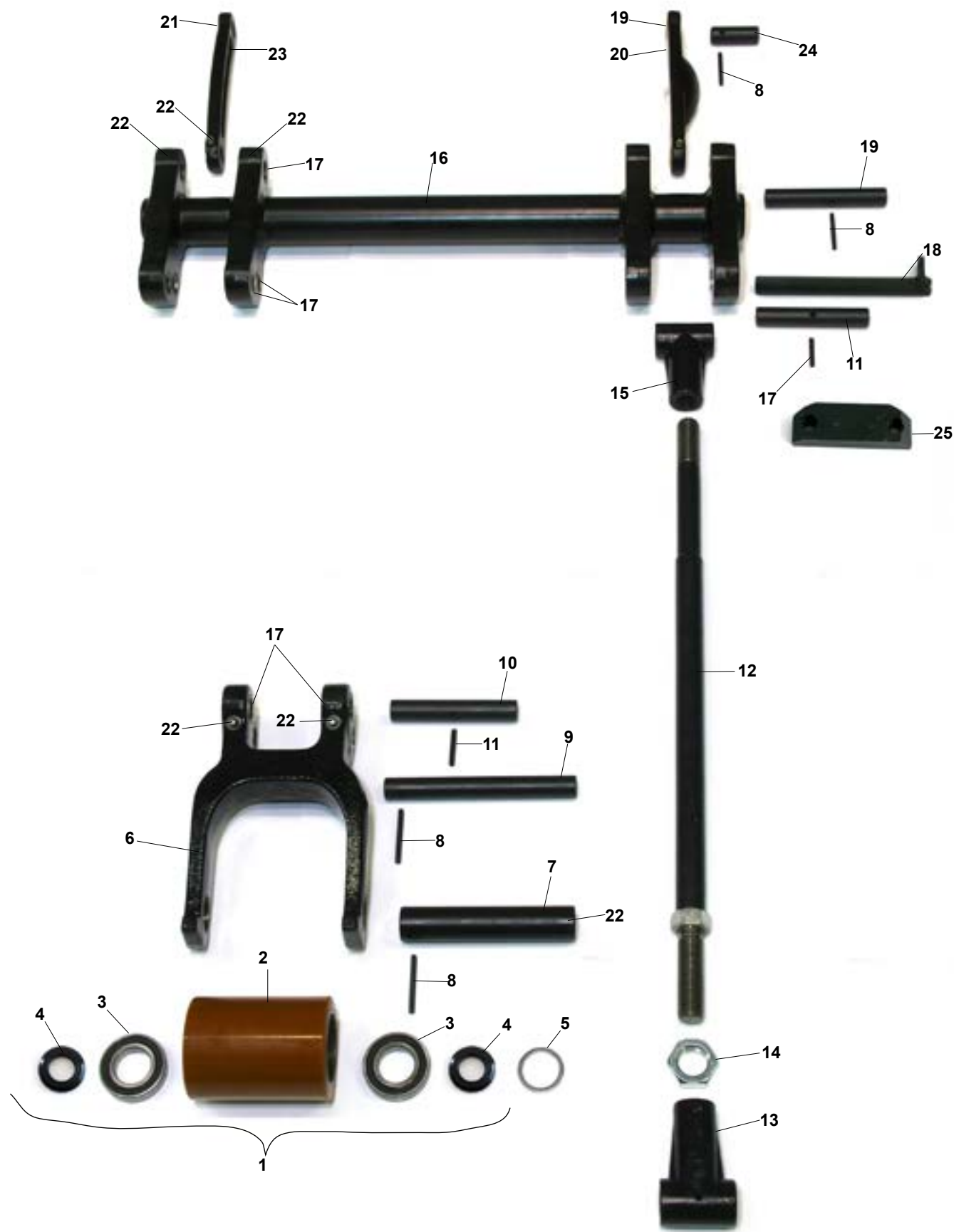


## Hydraulic Pump, Cylinders & Hoses

[back to Content page](#)

Item	Part No.	Description
1	CR 805158	Hydraulic Pump 24V Motor S/N 7A250194 to 7A262272
	CR 151863	Hydraulic Pump 24V Motor S/N 7A262273 to 7A999999
2	CR 151845	Hydraulic Pump Solenoid Coil
3	CR 151847	Solenoid Valve
4	CR 147575	Lift Cylinder Assy
5	CR 150955	Lift Cylinder Seal Kit
6	CR 050000-027	Roll Pin
7	CR 064061-002	Elbow
8	CR 054165-012	Hose
9	CR 147564	Cylinder Clip
10	CR 050005-115	Screw
11	CR 052072-002	Hose Clamp
12	CR 147577	Hydraulic Tube Assy
13	CR 050025-015	Screw
14	CR 064594-001	Hose
15	CR 064004-003	Connector

## Frame and Undercarriage



[back to Content page](#)

## Frame and Undercarriage

Item	Part No.	Description
1	CR 813014 CR 813014-XL	Poly Load Wheel Assy 95A, 95A Durometer W/ Bearings and String Guards Poly Load Wheel Assy 97A, 97-A Durometer W/Bearings and String Guards
2	CR 813015 CR 813015-XL	Poly Load Wheel 95A, 95-A Blank Load Wheel Poly Load Wheel 97A, 97-A Blank Load Wheel
3	CR 065081-62	Load Wheel Bearing, Rubber Shielded
4	CR 813016	String Guard
5	CR 050009-42	Flatwasher
6	CR 805920-002	Riser Assy, Includes Bushings and Lube Fitting
7	CR 045477	Load Wheel Axle
8	CR 050000-048	Roll Pin
9	CR 045224	Axle, Riser Assy to Fork Frame & Bar
10	CR 045469	Axle, Riser Assy to Tension Bar
11	CR 050000-017	Roll Pin
12	CR 045482-002-06	Tension Bar, Fits 48" Forks W/7.8" Battery Compartment
13	CR 045292-002	Tension Bar End- Right Hand
14	CR 060021-019	Nut
15	CR 045292-001	Tension Bar End-Left Hand
16	CR 805773-002-04	Lower Link Assembly, Fits 27" Fork Spread
17	CR 055084-009	Bushings For Lower Link Assy
18	CR 147557	Plate Pin, Connects Frame to Lower Link Assy.
19	CR 147554	Shaft- 27" Fork Spread, Connects Lower Link To Upper Link Assy
20	CR 805754-002	Left Upper Link Assy
21	CR 055084-008	Bushing , Fits Both Left and Right Upper Links
22	CR 054011-006	Lube Fitting, Fits Both Left and Right Upper Links
23	CR 805761-002	Right Upper Link Assy
24	CR 045433	Upper Link Shaft
25	CR 147560-001 CR 147560-002	Wear Block, Fits 27" Fork Spread Wear Block, Fits 18", 20" and 22" Fork Spread
	GWK-WP3000-LW	Load Wheel Kit
	GWK-WP3000-LW-XL	XL-Poly Load Wheel Kit



## Caster Assembly



## Caster Assembly

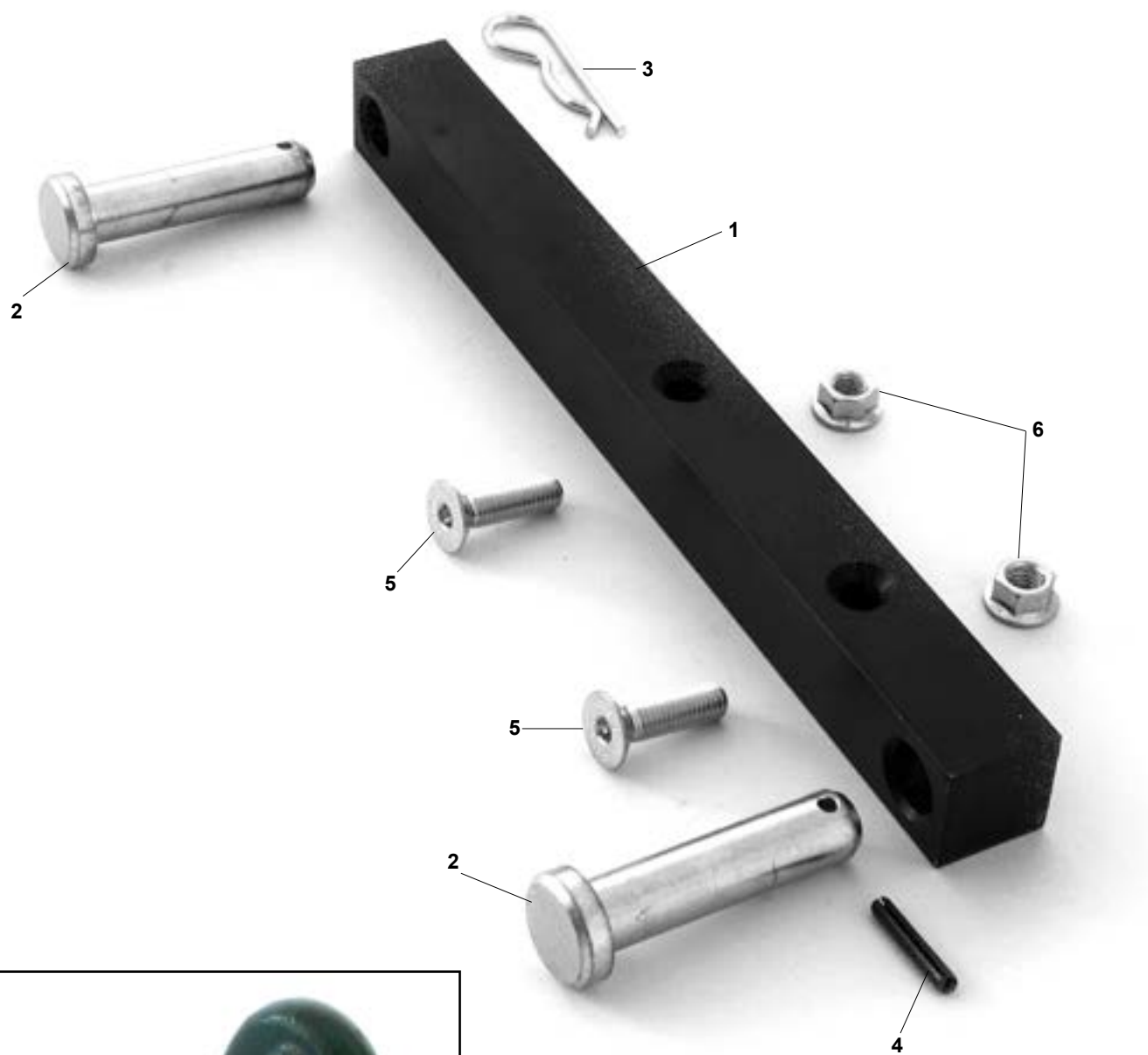
[back to Content page](#)

Item	Part No.	Description
	CR 805887-003	Caster Assembly Complete, Includes Bearing & Housing
1	CR 813129	Poly Caster Wheel 95A
2	CR 813128	Poly Caster Wheel Assembly 95A, Includes Bearings & String Guard
3	CR 055002-027	Bearing, Double Sealed
4	CR 810204	String Guard
5	CR 805888-004	Caster Wheel Bracket
6	CR 051058-013	Bushing
7	CR 805888-009	Caster Wheel Axle
8	CR 050000-047	Roll Pin
9	CR 805888-002	Spring
10	CR 805888-007	Plate
11	CR 805888-011	Spring
12	CR 805888-003	Screw
13	CR 050008-053	Nut
14	CR 805888-005	Caster Rig
15	CR 050012-048	Retaining Ring
16	CR 055002-022	Bearing
17	CR 805928	Caster Housing
18	CR 050012-049	Retaining Ring
19	CR 805888-008	Shaft
20	CR 050067-044	Screw



**CR 805887-003**  
Caster Assembly Complete

## Load Backrest, Hardware & Skidplate



## Load Backrest, Hardware & Skidplate

[back to Content page](#)

Item	Part No.	Description
1	CR 813051	Pivot Block
2	CR 813050	Clevis Pin
3	CR 050026-002	Cotter Pin
4	CR 050000-012	Roll Pin
5	CR 060075-034	Screw
6	CR 060059-069	Locknut
7	CR 147561	Skid Bar



**800-331-0839**

[www.GenericParts.com](http://www.GenericParts.com)