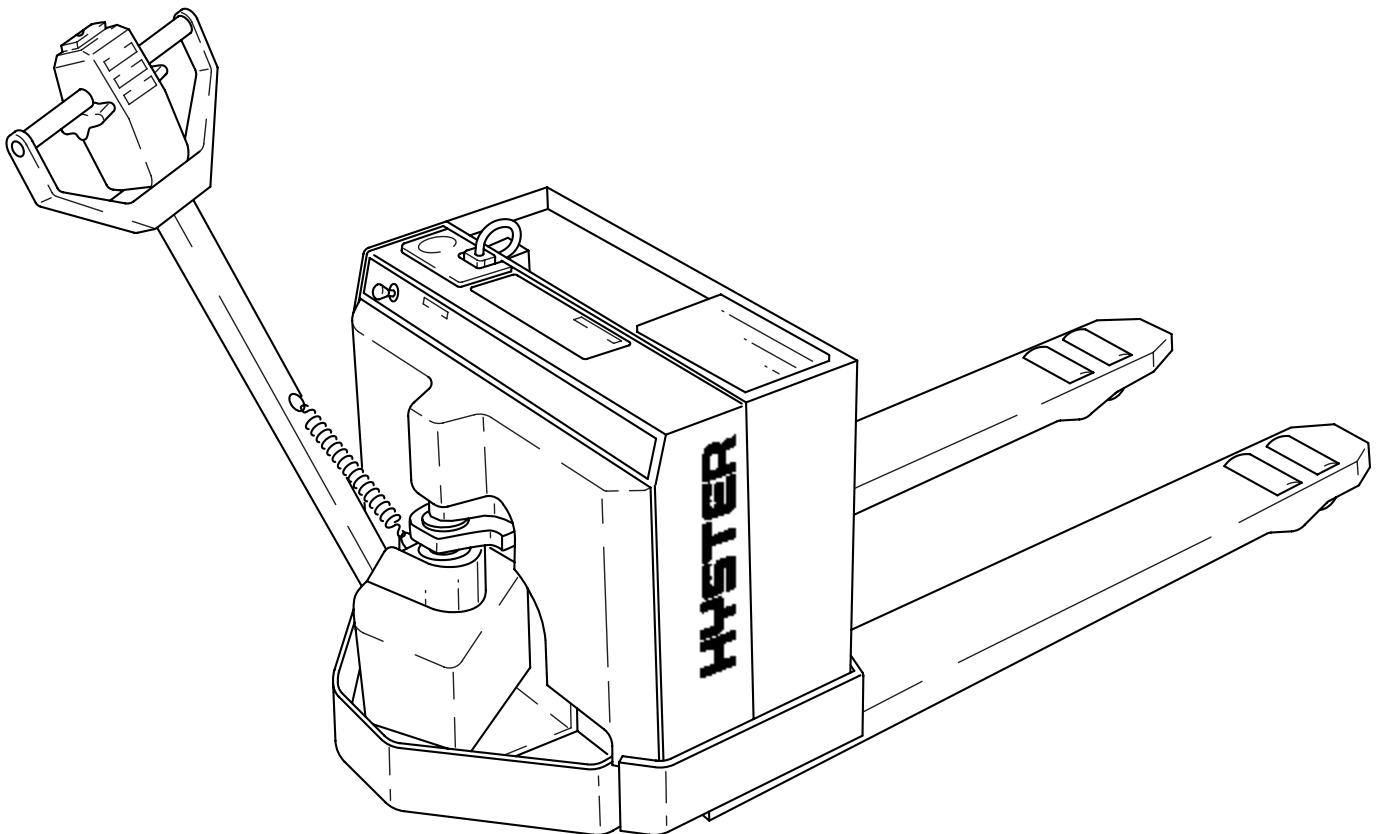


Replacement Parts for Hyster W40 XL/XT



Type of Truck

- B - Electric walkie-rider
- C - Electric walkie-center control
- E - Electric counterbalanced rider, cushioned tire
- J - Electric counterbalanced rider, pneumatic tire
- N - Electric narrow aisle truck
- R - Electric order picker
- V - Very narrow aisle
- W - Electric walkie

Indicates Capacity

Design Series

Truck Type - on Certain Electric Truck Models

- A - Straddle
- C - Center control
- H - Pneumatic
- L - Low level pallet
- R - Reach, or
- R - Rear stand drive
- S - Short wheelbase

W 40 A C

Note: Suffixes XL and XT represent design concepts, not nomenclature.

Contents

Quick Wheel Lookup	<u>4</u>
Electrical/Battery	<u>6</u>
Control Panel	
Resistor	<u>8</u>
PMC	<u>10</u>
Drive Unit and Brake Assembly	<u>12</u>
Motors	<u>14</u>
Steer Arm & Handle Assembly - PMC	<u>16</u>
Hydraulic	<u>18</u>
Frame & Undercarriage	<u>20</u>

This booklet is not intended to replace the original manufacturer's Parts and Service Manual. Please follow Safety Procedures outlined in the manufacturer's publication.

Quick Wheel Lookup

Quick Wheel Lookup

[back to Contents](#)

OEM #	Wheel Type	Description	Wheel OD in/mm	Tread Width in/mm	Hub Width in/mm	Hub ID in/mm	Bearing OD in/mm	Bearing #	Material/ Color
HY 2302392	Load Wheel	Poly Load Wheel-Single	3.250/83	4.500/114	4.500/114		1.574/40	6203z	Scotch, 95-A
HY 2302392-A	Load Wheel Assembly	Includes Bearings and Washers		4.500/114	4.500/114		1.574/40	6203z	Scotch, 95-A
HY 2302730-A	Riser Assembly								
GWK-W40XT-LW	Load Wheel Kit, 95-A	Includes (2) Durarun Poly Load Wheels (95A) w/ Bearings, Axles & Fasteners		4.500/114	4.500/114		1.574/40	6203z	Scotch, 95-A
GWK-W40XT-LW-XL	Load Wheel Kit, 95-A	Includes (2) XL-Poly Load Wheels (97A) w/ Bearings, Axles & Fasteners		4.500/114	4.500/114		1.574/40	6203z	Scotch, 95-
HY 2308227	Drive Tire	Poly Drive Tire-Smooth Flat	9.00/229	5.00/127		5.00/127			
HY 2308227-A	Drive Tire Assembly	Poly Drive Tire-Smooth Flat, Includes Hub	9.00/229	5.00/127		5.00/127			
HY 2308227-XG	Drive Tire	Poly Drive Tire X Groove	9.00/229	5.00/127		5.00/127			
HY 2308227-XG-A	Drive Tire Assembly	Poly Drive Tire X Groove, Includes Hub	9.00/229	5.00/127		5.00/127			
HY 2309963	Drive Tire	Rubber Drive Tire- Smooth Flat	9.00/229	5.00/127		5.00/127			Black
HY 2309963-A	Drive Tire Assembly	Rubber Drive Tire- Smooth Flat, Includes Hub	9.00/229	5.00/127		5.00/127			Black
HY 2309963-XG	Drive Tire	Rubber Drive Tire X Groove	9.00/229	5.00/127		5.00/127			Black
HY 2309963-XG-A	Drive Tire Assembly	Rubber Drive Tire X Groove, Includes Hub	9.00/229	5.00/127		5.00/127			Black
HY 2308186	Hub	Drive Wheel Hub							

HY 2302392
Load Wheel, Poly Load Wheel-Single



HY 2302392-A
Load Wheel Assembly, Includes Bearings and Washers



GWK-W40XT-LW-XL
Load Wheel Kit, 95-A



HY 2308227
Drive Tire, Poly Drive Tire-Smooth Flat



HY 2302730-A
Riser Assembly



GWK-W40XT-LW
Load Wheel Kit, 95-A



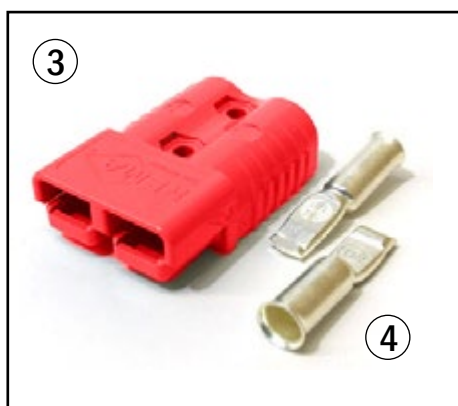
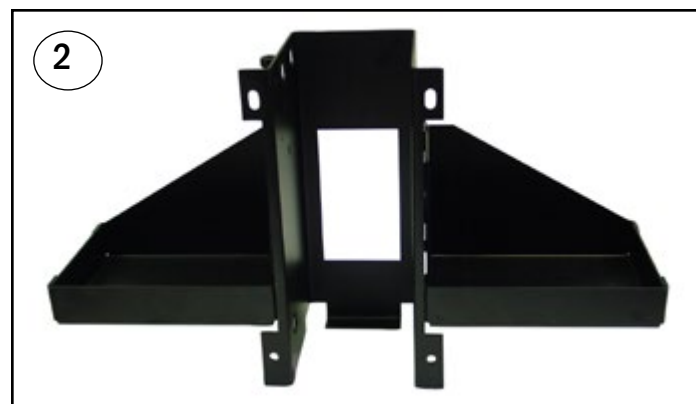
HY 2309963
Drive Tire Assembly, Rubber Drive Tire- Smooth Flat, Includes Hub



HY 2308186
Drive Wheel Hub



Electrical / Battery

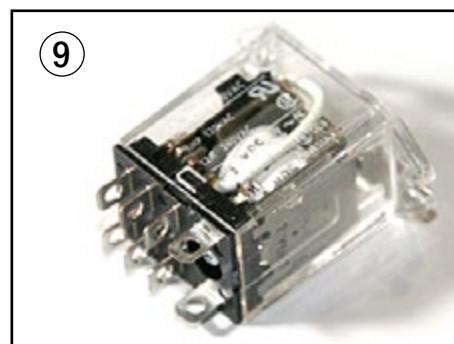
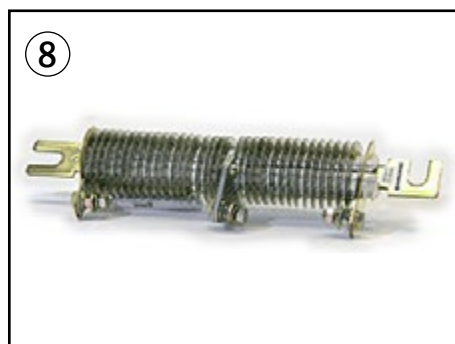
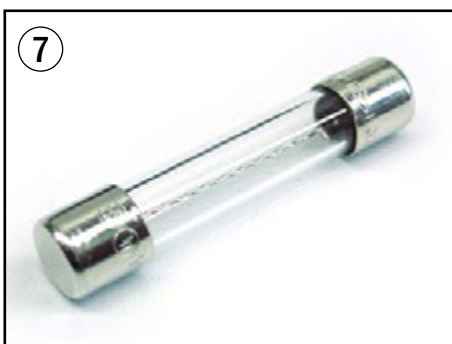
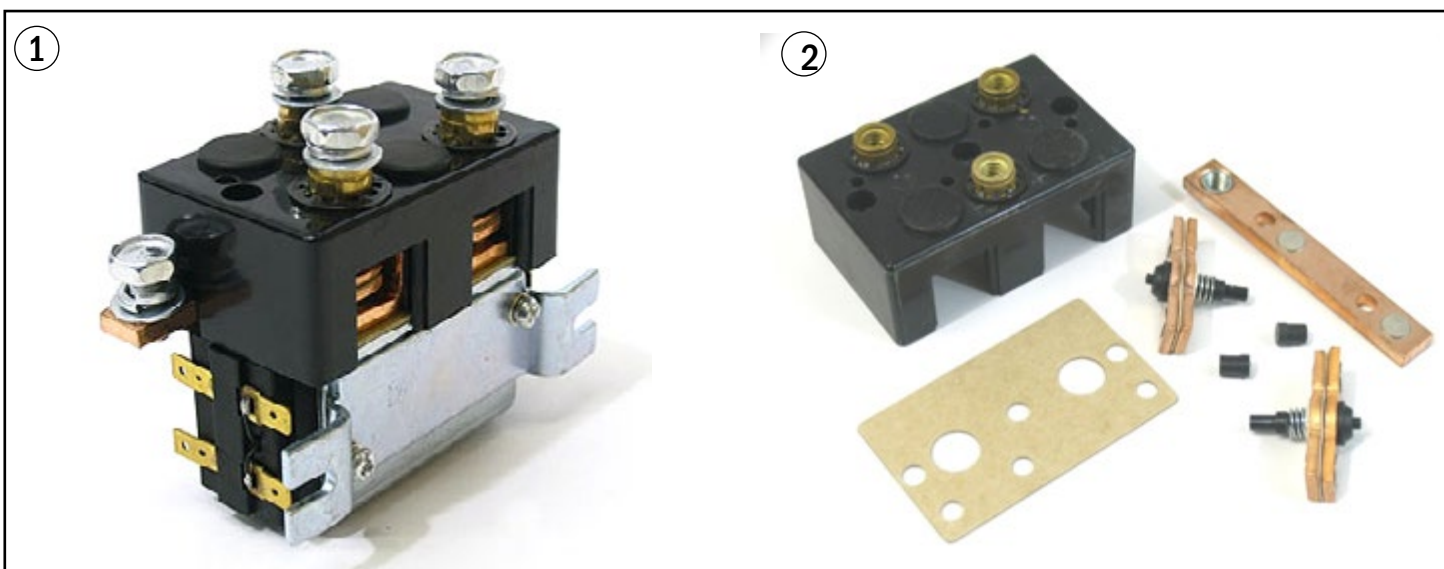
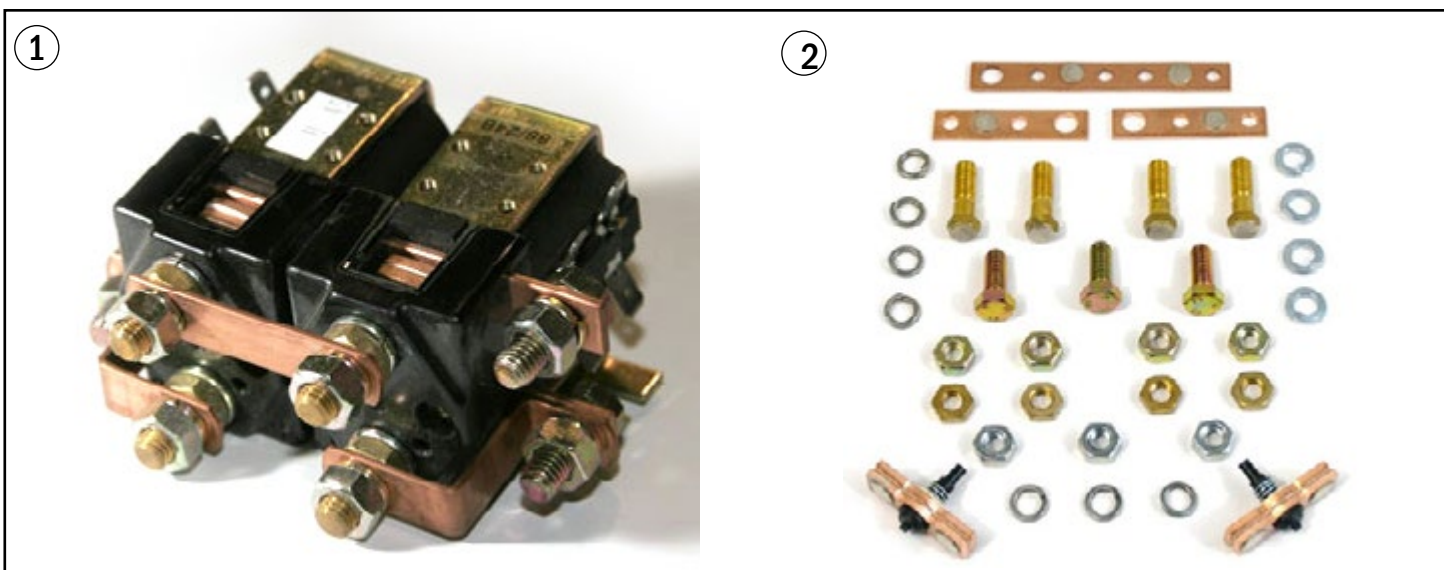


Electrical / Battery

[back to Contents](#)

Item	Part No.	Description
1	HY 2033588	Battery charger, 24V, to S/N A218H-01605
	HY 2036886	Battery charger, 24V, S/N A218H-01606 & Later
	HY 2033833	Battery charger, 24V, Option 1 Power Pack
	HY 1455541	Battery charger, 24V, Option 2 Power Pack
2	HY 2033591	Pivoting battery tray
3	HY 288835	Red connector, 175A w/contacts
4	HY 2308308	Contacts, set of (2), 175A
5	HY 2033589	Battery disconnect handle, w/screws and nuts
6	HY 2040602	Hour meter
7	HY 2311294	Battery discharge indicator
8	HY 1361313	Unigauge, both BDI and Hour meter
9	HY 254007	Ignition switch, w/2 keys
10	HY 262798	Keys (2)
11	HY 2306115	Horn
12	HY 2033545	Battery cover knob
13	HY 2307607	Wiring harness, drive unit to control handle

Control Panel - Resistor

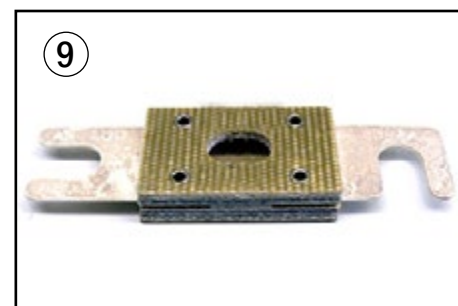
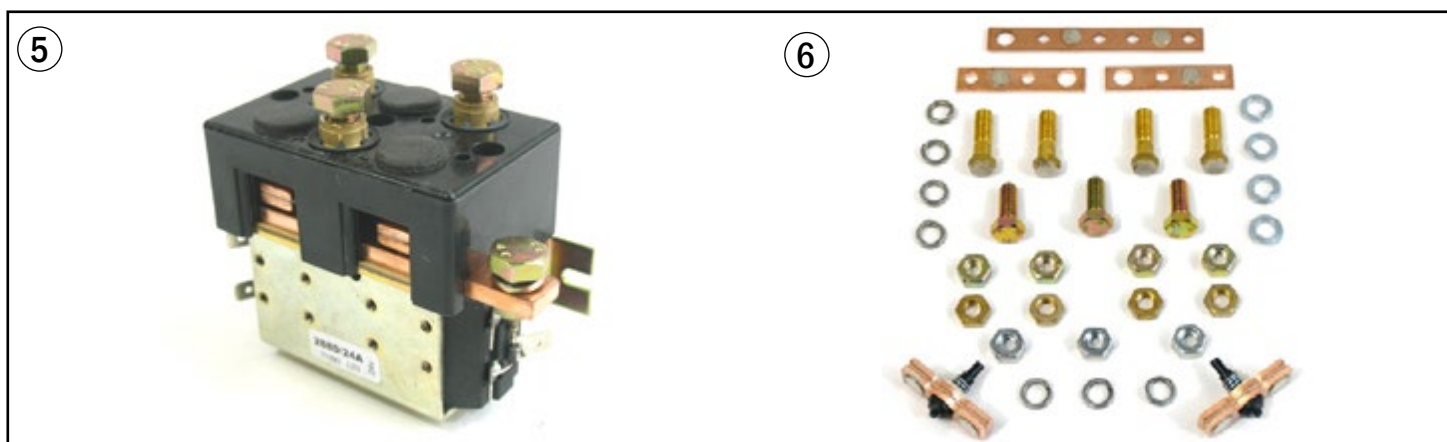
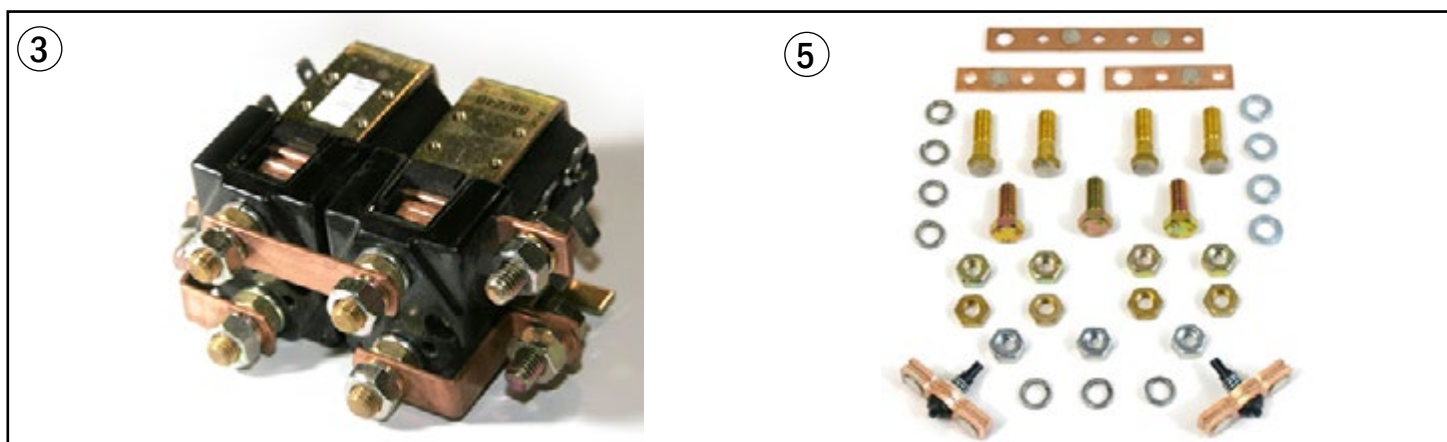
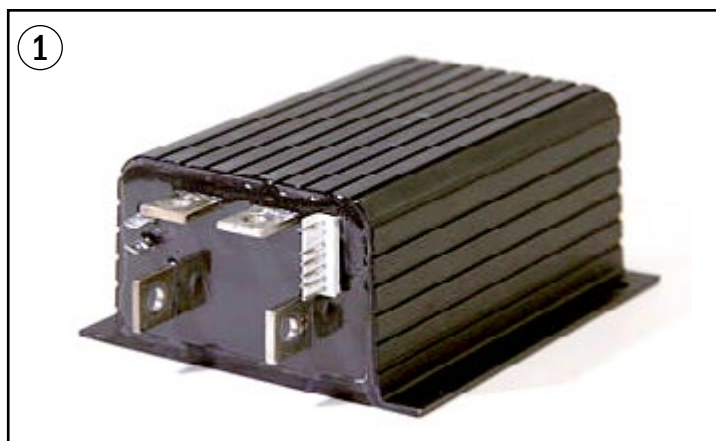


Control Panel - Resistor

[back to Contents](#)

Item	Part No.	Date/Serial Range	Application
1	HY 2305835	Contactors, F/R	to S/N A218H-001916
2	HY 2305749	Contactors service kit (HY 2305835)	
3	HY 2310977	Contactors, F/R	from S/N A218H-001917
4	ALDC88-SKR	Contactors service kit (HY 2310977)	
5	HY 1374793	Fuse, 10A	
6	HY 2304022	Resistor	
7	HY 2307162	Relay	

Control Panel - PMC

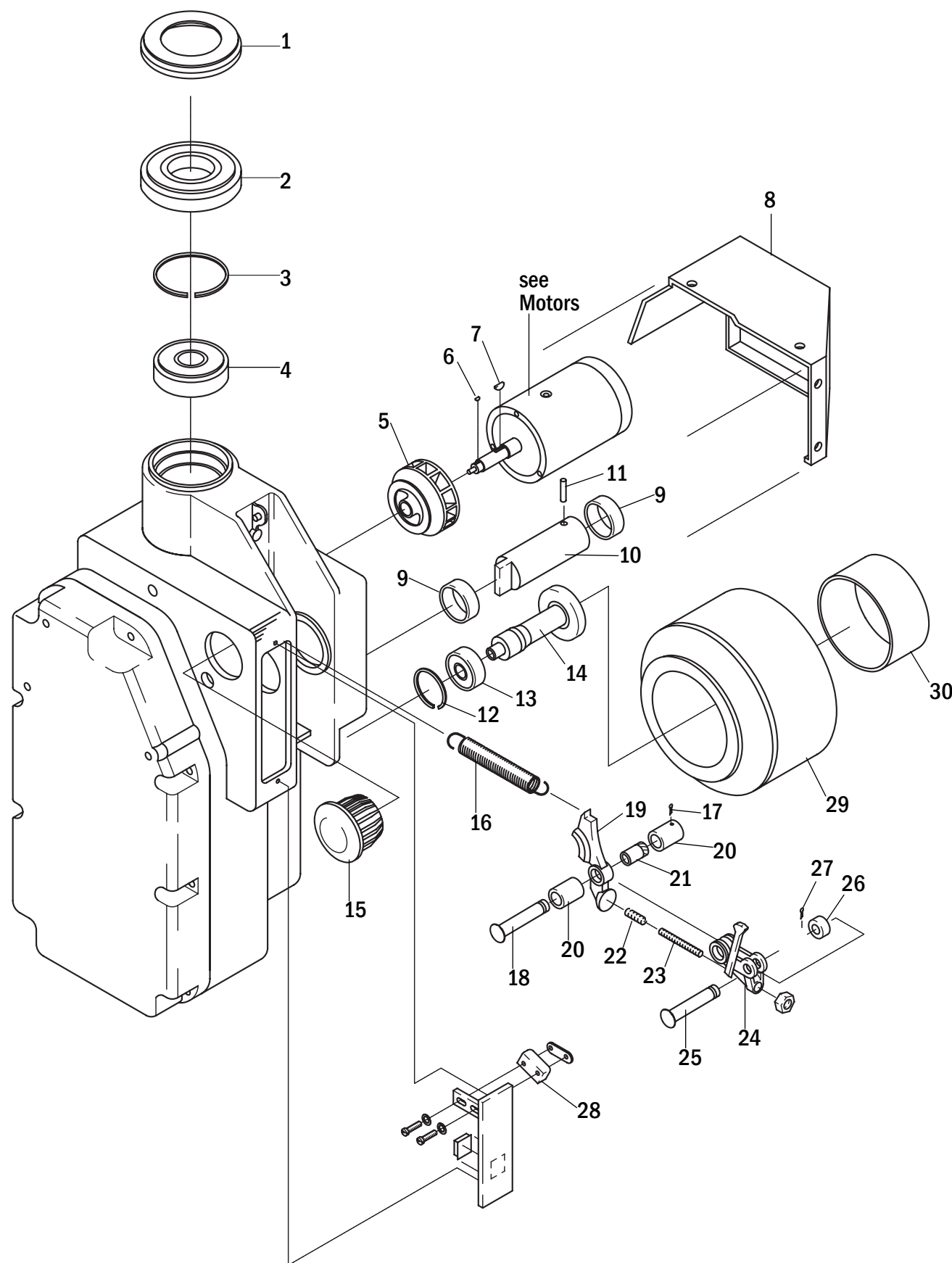


Control Panel - PMC

[back to Contents](#)

Item	Part No.	Date/Serial Range	Application
1	HY 231242-R HY 231242-C	PMC motor controller, 24V Core deposit	Re-manufactured
2	HY 2304463-R HY 230446-C	PMC Motor Controller, 24V Core Deposit	S/N A218H-02152 & later
3	HY 2307724	Contactora, F/R	to S/N A218H-02151
4	HY 2305749	Contactora service kit (HY 2307724)	
5	HY 2034462	Contactora, F/R	from S/N A218H-02152
6	HY 2305749	Contactora service kit (HY 2034462)	
7	HY 2034678	Fuse, 15A	
8	HY 354589	Fuse, 150A	
9	HY 354590	Fuse, 200A	
10	HY 2305215	Bus bar (Not shown)	
11	HY 2302598	Bus bar (Not shown)	
12	HY 2310676	Bus bar (Not shown)	
13	HY 2034312	Bus bar (Not shown)	
14	HY 2034311	Bus bar (Not shown)	
15	HY 2034313	Bus bar (Not shown)	

Drive Unit and Brake Assembly

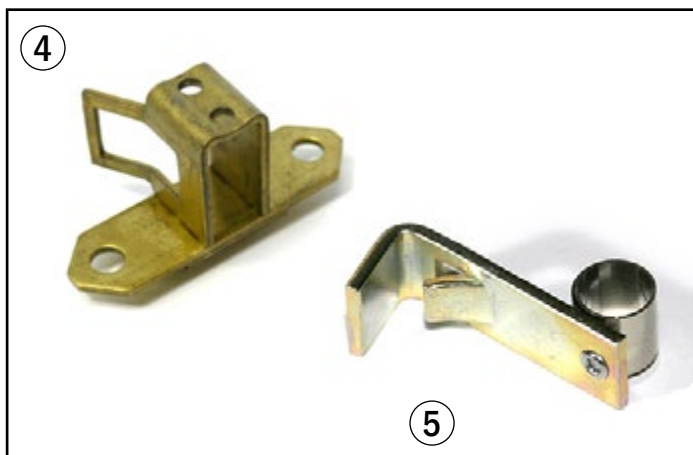
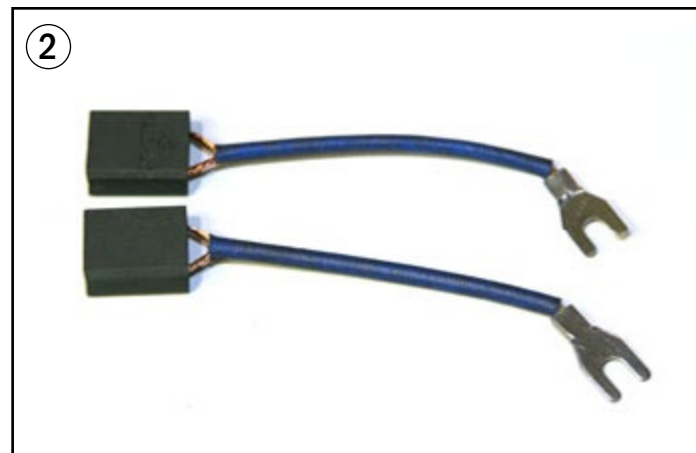
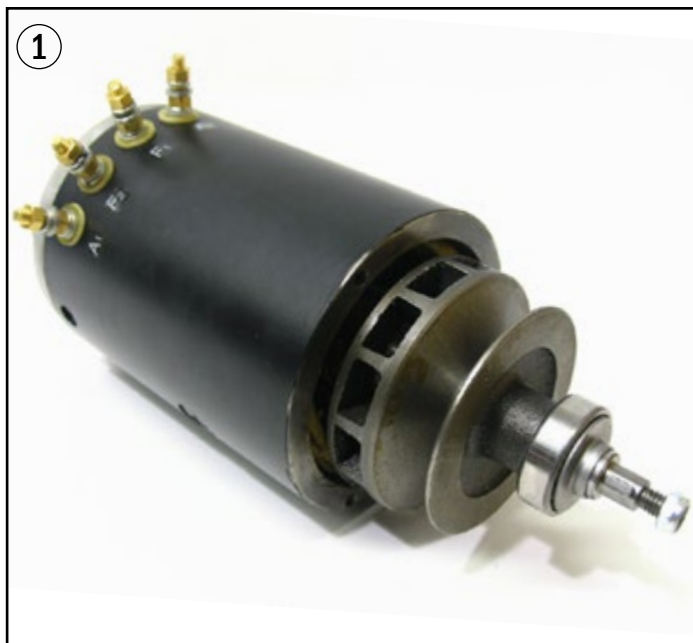


Drive Unit and Brake Assembly

[back to Contents](#)

Item	Part No.	Description
1	HY 2307702	Bearing cover
2	HY 326306	Bearing cup
2	HY 78584	Bearing cone
3	HY 12918	Snap ring
4	HY 45733	Bearing cup
	HY 326307	Bearing cone
5	HY 2309624	Brake drum
6	HY 2310849	Woodruff key
7	HY 32415	Woodruff key
8	HY 2041689	Drive motor cover
9	HY 2302128	Bushing
10	HY 2305815	Shaft
11	HY 2309762	Roll pin
12	HY 58912	Snap ring
13	HY 163971	Bearing cup
	HY 174230	Bearing cone
14	HY 2304321	Drive axle
15	HY 2307952	Plug
16	HY 2303356	Brake spring
17	HY 2302589	Cotter pin
18	HY 1369407	Pivot pin
19	HY 2042725	Brake shoe
20	HY 2311334	Bushing
21	HY 2302396	Pin
22	HY 2306414	Spring
23	HY 2305118	Screw
24	HY 2304545	Brake cam lever
25	HY 1369407	Rod end pin
26	HY 1385123	Roller bearing
27	HY 15200	Cotter pin
28	HY 2037415	Switch
29	HY 2308227	Poly Drive Tire (Please see Quick Wheel Lookup page 4)
	HY 2309963	Rubber Drive Tire (Please see Quick Wheel Lookup page 4)
30	HY 2308186	Drive Tire Hub

Motors

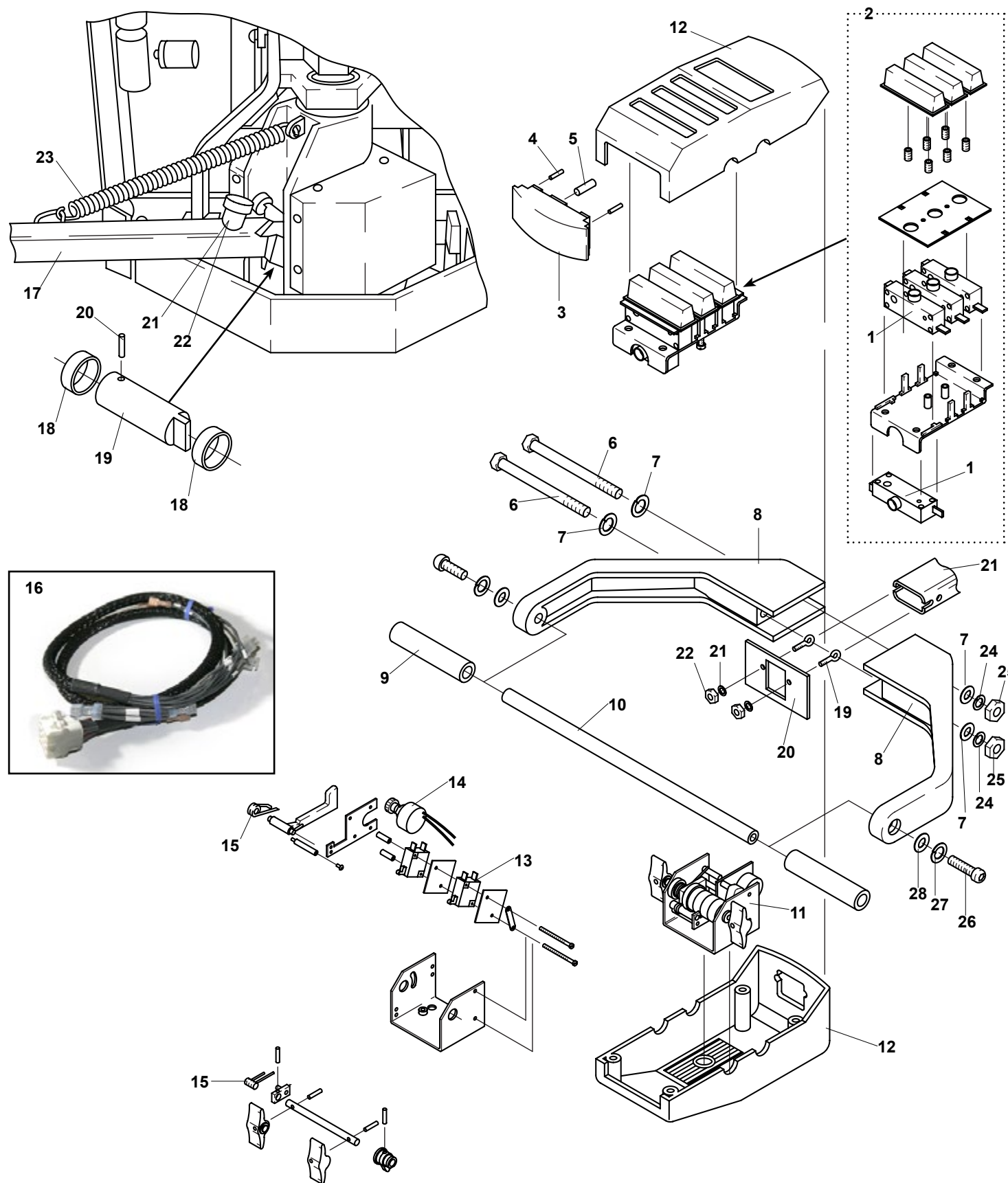


Motors

[back to Contents](#)

Item	Part No.	Date/Serial Range
1	HY 2310528-AM	Drive Motor, After-Market Replacement
2	HY 2302180	Brush Set (2 per bag), Original Drive Motor
3	HY 2302180-AM	Brush Set, 4 per bag, After-market Drive Motor
4	HY 2305766	Brush Holder, OEM Drive Motor
5	HY 2310816	Brush Spring, OEM Drive Motor (Requires 2)
6	HY 1466025-AM	Hydraulic Pump Motor, After-market

Steer Arm & Handle Assembly - PMC

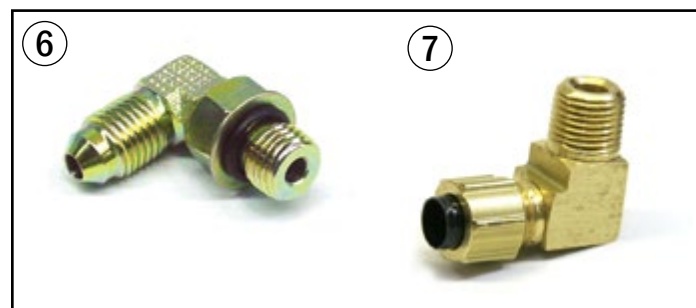
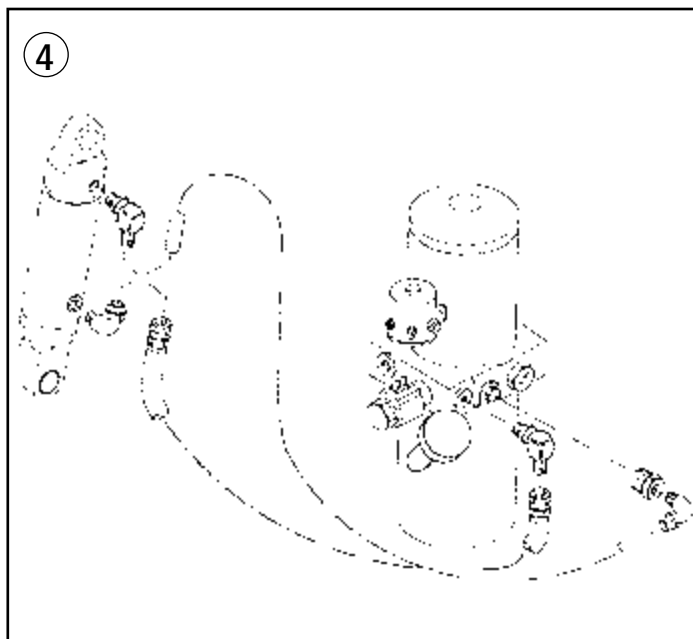
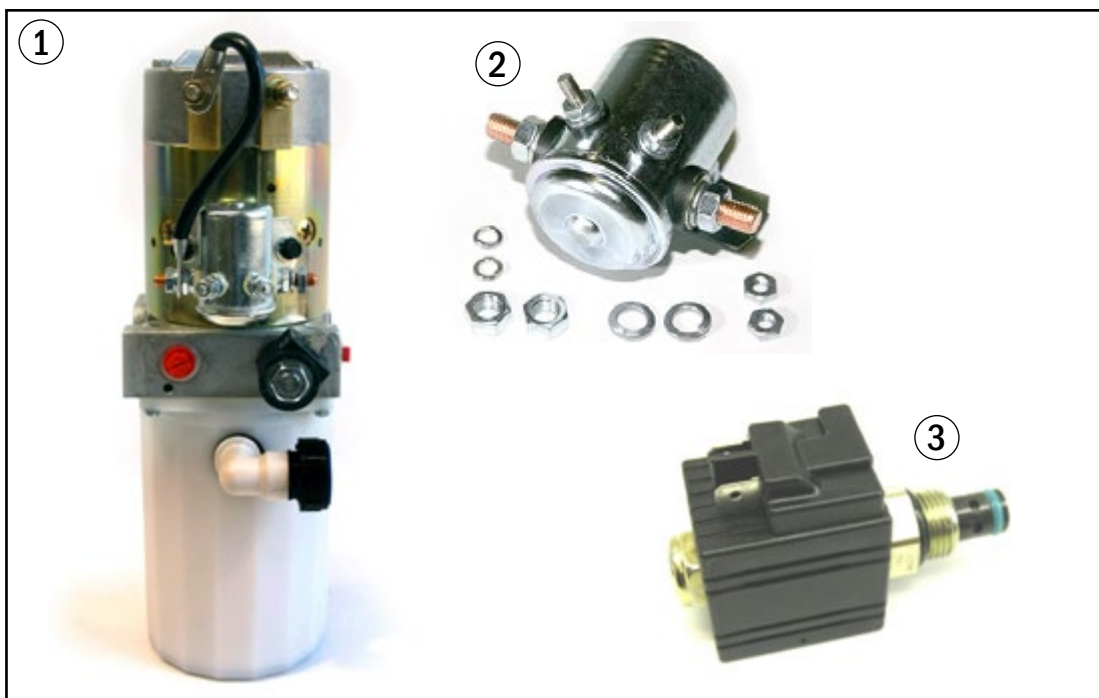


Steer Arm & Handle Assembly - PMC

[back to Contents](#)

Item	Part No.	Date/Serial Range
1	HY 1374529	Switch, Lift, Lower, Horn, Belly
2	YL 505346500	Top Cover Assembly, Incl. Switches
3	HY 2310216	Switch Actuator, Auto reverse
4	HY 2307649	Spring, Belly Button Cover
5	HY 2309504	Rubber Stopper
6	HY 18522	Hex Screw
7	HY 18515	Washer
8	HY 2032426	Handle (Left or Right)
9	HY 2311072	Grip
10	HY 2308201	Shaft
11	HY 2303444	Butterfly Switch Assembly (after 9/1995)
12	HY 2309167	Handle Head Set, Upper and Lower
13	HY 2309240	Micro Switch
14	HY 2302033	Potentiometer - PMC
15	HY 2404329	Torsion Spring
16	HY 23003862	Handle Wiring Harness Assembly, Resistor & PMC
17	HY 2308794	Steer Arm Weldment
18	HY 2302128	Steer Arm Bushing
19	HY 2305002	Steer Arm Pin
20	HY 2309762	Roll Pin
21	HY 2302746	Rubber Bumper
22	HY 2304157	Screw for Rubber Bumper
23	HY 2304879	Steer Arm Return Spring, S/N A218H-02152 & later
	HY 2309051	Steer Arm Return Spring, to S/N A218H-02151
24	HY 15155	Lockwasher
25	HY 15055	Nut
26	HY 2310085	Cap Screw
27	HY 15156	Lockwasher
28	HY 15134	Washer

Hydraulics

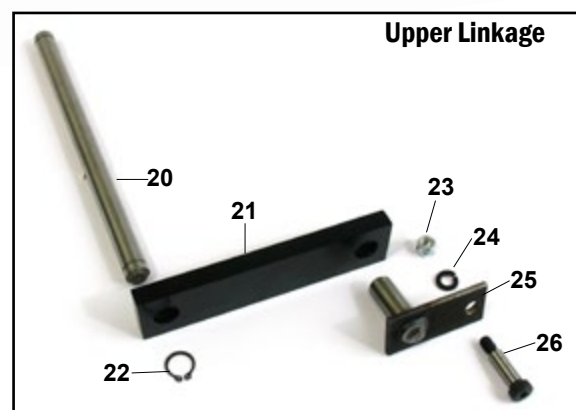
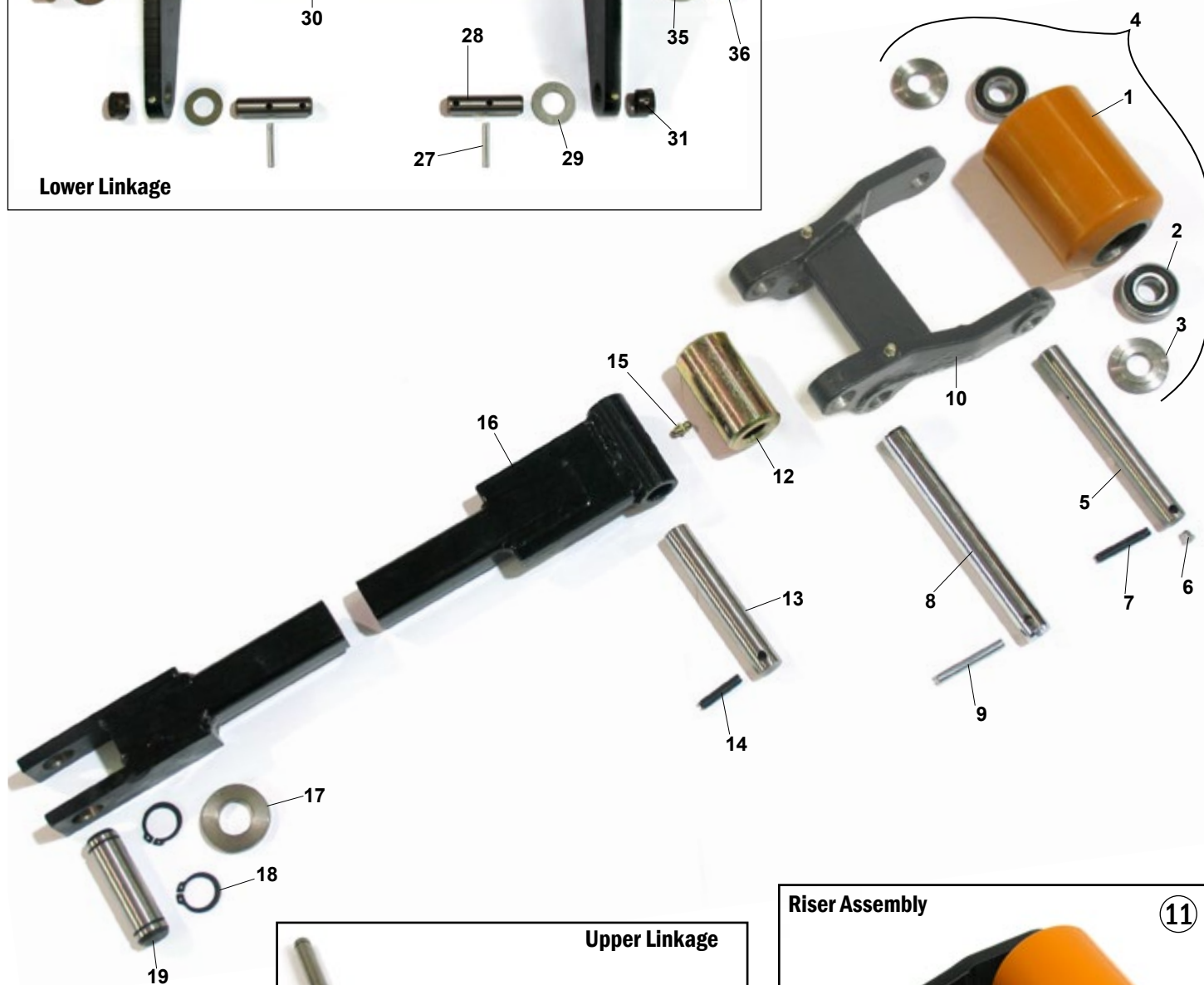
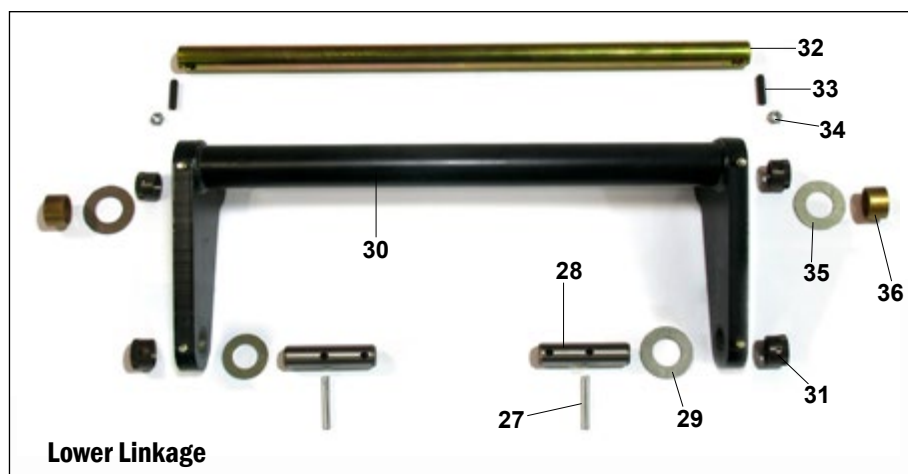


Hydraulics

[back to Contents](#)

Item	Part No.	Date/Serial Range	Description
1	HY 2305764 HY 2037418		Hydraulic Unit, Pump & Motor Assembly, up to S/N 83128 Hydraulic Unit, Pump & Motor Assembly, S/N 83129 & later
2	HY 1322444		Lift solenoid, 24V
3	HY 2308371		Solenoid valve, 24V
4	HY 2311211		Lift cylinder
5	HY 2307177		Packing kit
6	HY 16556		Fitting
7	HY 16987		Fitting
8	HY 2302339		Hose
9	HY 2306371		Tube

Frame and Undercarriage



Frame and Undercarriage

[back to Contents](#)

Item	Part No.	Description
1	HY 3005911	Poly Load Wheel, 95A Durometer
	HY 3005911-XL	Poly Load Wheel, 97A Durometer
2	HY 124624	Bearing
3	HY 230951	Washer
4	HY 3005911-A	Poly Load Wheel Assembly, 95A Durometer, Includes Bearings & Washers
	HY 3005911-XL-A	Poly Load Wheel Assembly, 97A Durometer, Includes Bearings & Washers
	GWK-W40XL-LW	Poly Wheel Kit 95A, Includes Bearings, Axles & Washers
5	HY 3005736	Load Wheel Axle, Includes Lube Fitting
6	HY 13957	Lube Fitting
7	HY 2307242	Roll Pin
8	HY 2309397	Pivot Pin
9	HY 2307086	Roll Pin
10	HY 2302730	Riser Assembly, Includes Lube Fitting
	HY 2302730-A	Complete Riser Assembly, 95A Durometer, Includes Poly Load Wheel, Axles & Roll Pins
11	HY 2302730-XL-A	Complete Riser Assembly, 97A Durometer, Includes Poly Load Wheel, Axles & Roll Pins

Item	Part No.	Description
12	HY 2307475	Steel Roller Assembly
13	HY 3006808	Link Pin
14	HY 2307086	Roll Pin
15	HY 16041	Lube Fitting
16	HY 2308822	Push Rod, 48" Fork Length
17	HY 2311881	Spacer
18	HY 248212	Retaining Ring
19	HY 3008398	Pin
20	HY 2304484	Pin
21	HY 2307680	Link
22	HY 58903	Retaining Ring
23	HY 15055	Hex Washer
24	HY 15155	Lockwasher
25	HY 2305824	Pin
26	HY 18497	Hex Bolt
27	HY 19913	Roll Pin
28	HY 2311661	Pin
29	HY 2308877	Shim
30	HY 2305862	Bellcrank, 27" Wide Frame
31	HY 2307600	Bushing
32	HY 2309006	Bellcrank Pin, 27" Wide Frame
33	HY 2309174	Set Screw
34	HY 15001	Nut
35	HY 2311480	Shim
36	HY 2310885	Bushing





800-331-0839

www.GenericParts.com