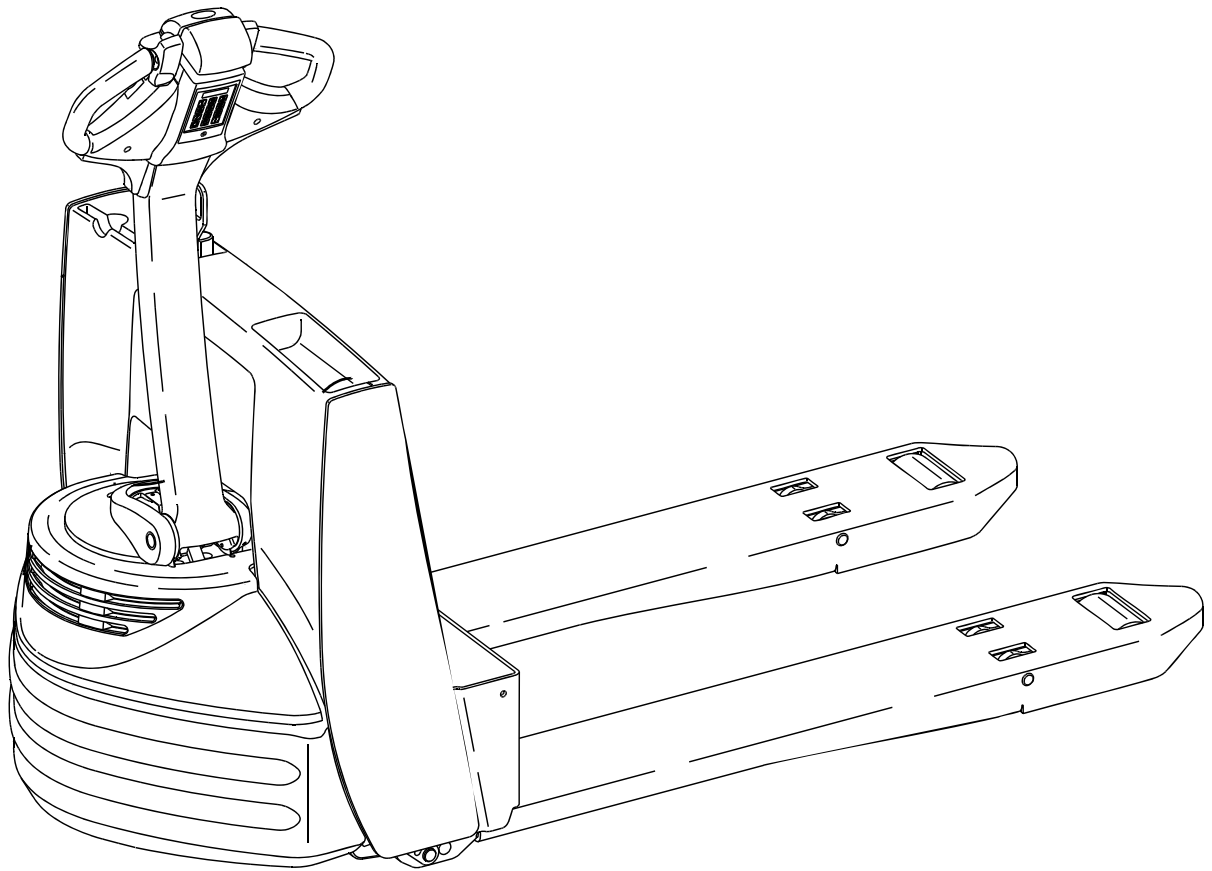


Replacement Parts
for
Raymond 8300, 8400, 8500



800-331-0839
www.GenericParts.com



Contents

Quick Wheel Lookup	
<u>Quick Wheel Lookup</u>	<u>4</u>
Electrical System Components	
<u>Battery Connector, Motor Controllers</u>	<u>6</u>
Drive Unit & Drive Motor	
	<u>8</u>
Control Handle	
<u>Arm, Throttle Assembly & Grab Rail</u>	<u>10</u>
Hydraulic System	
	<u>12</u>
Frame and Undercarriage	
	<u>14</u>
Caster Assemblies	
<u>Caster with Springs, Caster without Springs</u>	<u>16</u>

Quick Wheel Lookup

Quick Wheel Lookup

[back to Contents](#)

OEM #	Description	Wheel OD in / mm	Tread Width in / mm	Hub Width in / mm	Hub ID in / mm	Bearing ID in / mm	Bearing #	Material/ Color
RA 632-069	Load Wheel	3.25 / 82.5	5.50 / 140	5.93 / 150.5	2.04 / 52	0.98 / 25	6205	Poly 95A
RA 632-069-A	Load Wheel Assembly	3.25 / 82.5	5.50 / 140	5.93 / 150.5	2.04 / 52	0.98 / 25	6205	Poly 95A
RA 632-071	Load Roller Tandem	3.25 / 82.5	3.75 / 95	4.20 / 106	2.04 / 52	0.98 / 25	6205	Poly 95A
RA 632-071-A	Load Roller Assembly Tandem	3.25 / 82.5	3.75 / 95	4.20 / 106	2.04 / 52	0.98 / 25	6205	Poly 95A
RA 632-076	Load Roller Split Tandem	3.25 / 82.5	1.75 / 45	2.00 / 51	2.04 / 52	0.98 / 25	6205	Poly 95A
RA 632-076-A	Load Roller Assembly Split Tandem	3.25 / 82.5	1.75 / 45	2.00 / 51	2.04 / 52	0.98 / 25	6205	Poly 95A
GWK-8300-LW	Load Wheel Kit, Includes (2)Load Wheels, Bearings, Axles & Fasteners	3.25 / 82.5	4.00 / 101.5	5.93 / 150	2.047 / 52	0.984 / 25	BS 6205 2RS	Duraran Poly 95A, Scotch
GWK-8300-LW-XL	Load Wheel Kit, Includes (2)Load Wheels, Bearings, Axles & Fasteners	3.25 / 82.5	4.00 / 101.5	5.93 / 150	2.047 / 52	0.984 / 25	BS 6205 2RS	XL Poly 97A, Scotch
GWK-8310-LW	Load Wheel Kit, Includes (2)Load Wheels, Bearings, Axles & Fasteners	3.25 / 82.5	4.00 / 101.5	5.93 / 150	2.047 / 52	0.984 / 25	BS 6205 2RS	Duraran Poly 95A, Scotch
GWK-8310-LW-XL	Load Wheel Kit, Includes (2)Load Wheels, Bearings, Axles & Fasteners	3.25 / 82.5	4.00 / 101.5	5.93 / 150	2.047 / 52	0.984 / 25	BS 6205 2RS	XL Poly 97A, White
GWK-8400-LW	Load Wheel Kit, Includes (2)Load Wheels, Bearings, Axles & Fasteners	3.25 / 82.5	4.00 / 101.5	5.93 / 150	2.047 / 52	0.984 / 25	BS 6205 2RS	Duraran Poly 95A, Scotch
GWK-8400-LW-XL	Load Wheel Kit, Includes (2)Load Wheels, Bearings, Axles & Fasteners	3.25 / 82.5	4.00 / 101.5	5.93 / 150	2.047 / 52	0.984 / 25	BS 6205 2RS	XL Poly 97A, White
GWK-8410-LW	Load Wheel Kit, Includes (2)Load Wheels, Bearings, Axles & Fasteners	3.25 / 82.5	4.00 / 101.5	5.93 / 150	2.047 / 52	0.984 / 25	BS 6205 2RS	Duraran Poly 95A, Scotch
GWK-8410-LW-XL	Load Wheel Kit, Includes (2)Load Wheels, Bearings, Axles & Fasteners	3.25 / 82.5	4.00 / 101.5	5.93 / 150	2.047 / 52	0.984 / 25	BS 6205 2RS	XL Poly 97A, White
GWK-8500-LW	Load Wheel Kit, Includes (2)Load Wheels, Bearings, Axles & Fasteners	3.25 / 82.5	4.00 / 101.5	5.93 / 150	2.047 / 52	0.984 / 25	BS 6205 2RS	Duraran Poly 95A, Scotch
GWK-8500-LW-XL	Load Wheel Kit, Includes (2)Load Wheels, Bearings, Axles & Fasteners	3.25 / 82.5	4.00 / 101.5	5.93 / 150	2.047 / 52	0.984 / 25	BS 6205 2RS	XL Poly 97A, White
GWK-8510-LW	Load Wheel Kit, Includes (2)Load Wheels, Bearings, Axles & Fasteners	3.25 / 82.5	4.00 / 101.5	5.93 / 150	2.047 / 52	0.984 / 25	BS 6205 2RS	Duraran Poly 95A, Scotch
GWK-8510-LW-XL	Load Wheel Kit, Includes (2)Load Wheels, Bearings, Axles & Fasteners	3.25 / 82.5	4.00 / 101.5	5.93 / 150	2.047 / 52	0.984 / 25	BS 6205 2RS	XL Poly 97A, White
RA 950-WHL-KIT	Triple Wheel Kit, Includes (3)Load Wheels, Bearings, Axles & Fasteners	3.25 / 82.5	4.00 / 101.5	5.93 / 150	2.047 / 52	0.984 / 25	6205 & 8505	Poly 95A, Scotch
RA 950-WHL-KIT-XL	Triple Wheel Kit, Includes (3)Load Wheels, Bearings, Axles & Fasteners	3.25 / 82.5	4.00 / 101.5	5.93 / 150	2.047 / 52	0.984 / 25	6205 & 8505	XL Poly 97A, White
RA 950-WHL-KIT-XL-AA	Triple Wheel Kit, Includes (3)Load Wheels, Bearings, Axles & Fasteners	3.25 / 82.5	4.00 / 101.5	5.93 / 150	2.047 / 52	0.984 / 25	6205 & 8505	XL Poly 97A, White
RA 671-041-A	3"X 3.5" Caster Wheel Assembly	3.00 / 76	3.25 / 82.5	3.50 / 89	1.85 / 47	0.75 / 19.05	BS6204 3/4	Poly 95A
RA 632-421-A	4" X 2.5" Caster Wheel Assembly	4.00 / 101	2.25 / 57	2.50 / 64	2.04 / 52	0.98 / 25	6205	Poly 95A
RA 632-091	Drive Tire	10.00 / 254	4.00 / 101	5.00 / 127	6.5 / 165	NA	NA	Poly 95A
RA 632-229	Drive Tire	10.00 / 254	4.00 / 101	5.00 / 127	6.5 / 165	NA	NA	Rubber
RA 850-138-111	Hub	/	/	/	/	/	/	/

GWK-8300-LW
Load Wheel Kit, Poly 95A



GWK-8300-LW-XL
Load Wheel Kit, XL Poly 97A



RA 950-WHL-KIT
Triple Wheel Kit, Poly, 95A



RA 950-WHL-KIT-XL
Triple Wheel Kit, XL Poly 97A



RA 950-WHL-KIT-XL-AA
Triple Wheel Kit, XL Poly 97A



RA 632-071-A
Load Roller Assembly Tandem



Electrical - Battery Connector, Motor Controllers

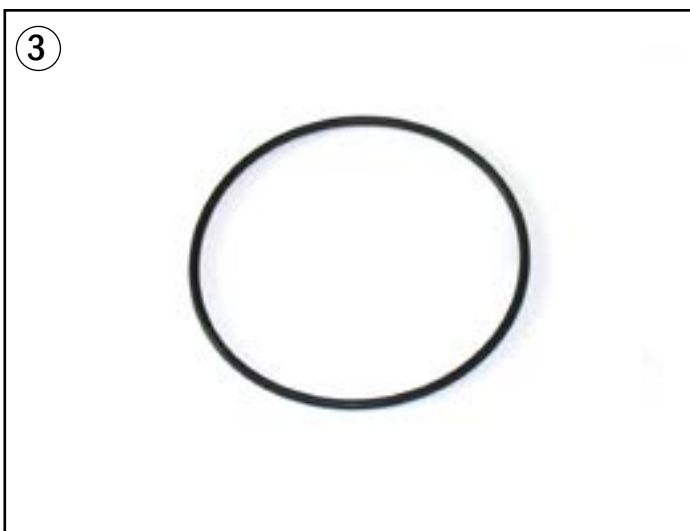


Electrical - Battery Connector, Motor Controllers

[back to Contents](#)

Item	Part No.	Description
1	RA 1045867-001	Battery Connector, SB175 Gray
2	RA 1045867-002	Battery Connector, SB175 Red
3	RA 590-514	Fuse, 15amp
4	RA 590-587-118	Fuse, 40amp
5	RA 590-587-109	Fuse, 150amp
6	RA 590-587-113	Fuse, 250amp
7	RA 1042226-001	Motor Controller (New OEM)
8	RA 1-030-007	Terminal Strip
9	RA 1-105-224	Main Contactor
10	RA 1-105-224-07	Contact Kit
11	RA 1-105-224-06	Coil and Frame Assembly
12	RA 1031332	Proximity Switch Assembly
13	RA 1042977	Main Harness
14	RA 590-643-004	Horn, 24 volt
15	RA 1-150-392	Ignition Switch 2-Position
16	RA 1-150-391	Ignition Switch 3-Position

Drive Unit & Drive Motor



Drive Unit & Drive Motor

[back to Contents](#)

Item	Part No.	Description
1	RA 1036966	Drive Motor - New OEM
	RA 1036966-R	Drive Motor - Rebuilt
	RA 1036966-C	Core charge
2	RA 1036966-83	Bearing Encoder Assembly
3	RA 1034060-85	O-Ring
4	RA 1034060-87	Spring Washer
5	RA 1034060-86	Oil Seal
6	RA 1036966-92	Bearing
7	RA 1036966-93	Snap Ring
8	RA 1036966-73	Terminal Board
9	RA 1036966-71	Rotor

Control Handle - Arm, Throttle Assembly & Grab Rail



Control Handle - Arm, Throttle Assembly & Grab Rail

[back to Contents](#)

Item	Part No.	Date/Serial Range	Description
1	RA 850-138-377		Machined Arm
2	RA 1027275-001		Machined Handle
3	RA 1036737		Control Card Assembly
4	RA 1036736		Control Card Display
5	RA 1050952-001		Throttle Assembly
6	RA 1027267-001		Handle Grip, Red/Orange
7	RA 1050950		Torsion Spring
8	RA 1036829		Horn Switch
9	RA 1040569		Grab Rail Assembly
10	RA 1035902-001		Switch Assembly
11	RA 1040323		Grab Rail Harness
12	RA 1050954-001		Control Head Assembly
13	RA 460-014		Bushing
14	RA 850-137-581		Shaft, Pivot
15	RA 830-249		Spring
16	RA 771-225		Washer
17	RA 850-135-901		Bushing
18	RA 811-120		Roll Pin
19	RA 850-138-996		Pivot Shaft
20	RA 5-002-012		Screw
21	RA 5-002-046		Screw
22	RA 7-448-001-047		Cam
23	RA 1028780		Shaft, Brake Lever
24	RA 850-137-325		Brake Adjustment Rod
25	RA 860-730-007		Joint, Swivel
26	RA 810-744		Roll Pin
27	RA 810-728		Roll Pin
28	RA 811-120		Roll Pin

Hydraulic System

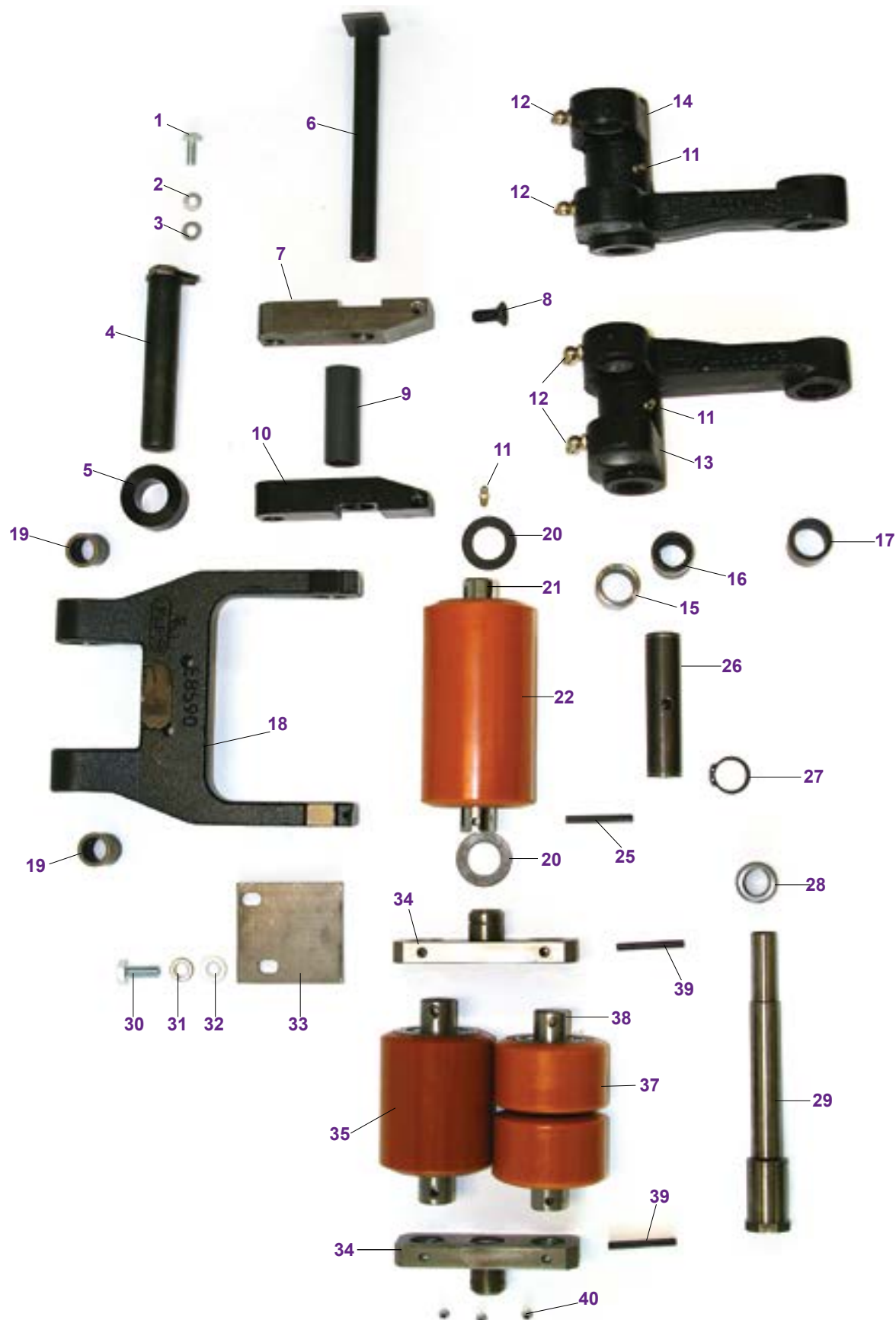


Hydraulic System

[back to Contents](#)

Item	Part No.	Date/Serial Range	Description
1	RA 1049306		Lift Pump & Motor Assembly
2	RA 560-213-03		Motor Assembly
3	RA 560-213-07		Brush Kit (Holder and Springs)
4	RA 560-213-06		Starter Solenoid Switch
5	RA 442-205		Bearing
6	RA 442-210		Bearing
7	RA 560-206-131		Lift Pump
8	RA 560-206-123		Flow Valve
9	RA 1015666-400		Lift Cylinder (Ultra Metals)
10	RA 1015666-600		Lift Cylinder (Pneu-Hydraulics)
11	RA 1015666-421		Seal Kit (Ultra Metals)
12	RA 1015666-621		Seal Kit (Pneu-Hydraulics)

Frame and Undercarriage



Frame and Undercarriage

back to top

Item	Part No.	Description
1	RA 5-001-008	Screw
2	RA 5-018-006	Flat Washer
3	RA 5-019-006	Lock Washer
4	RA 1026383	Front Shaft Weldment
5	RA 360-067-004	Roller
6	RA 1026637 RA 1026379	Pivot Shaft (6,000 Lbs Cap.) Pivot Shaft (8,000 Lbs Cap.)
7	RA 1026378-001 RA 1026378-002	Pivot Block (6,000 lbs. Cap.), Left Side Pivot Block (8,000 lbs. Cap.), Left Side
8	RA 714-145	Screw
9	RA 1045247-001 RA 1045246-001	Spacer, Tube (6,000 lbs. Cap.) Spacer, Tube (8,000 lbs. Cap.)
10	RA 1026377-001 RA 1026377-002	Pivot Block (6,000 lbs. Cap), Right Side Pivot Block (8,000 lbs. Cap), Right Side
11	RA 840-033	Grease Fitting
12	RA 840-018	Grease Fitting
13	RA 1023731 RA 1023733	Bell Crank Subassembly (6,000 lbs. Cap), Right Side Bell Crank Subassembly (8,000 lbs. Cap), Right Side
14	RA 1023730 RA 1023732	Bell Crank Subassembly (6,000 lbs. Cap), Left Side Bell Crank Subassembly (8,000 lbs. Cap), Left Side
15	RA 780-330-001 RA 780-330-002	Bushing (6,000 lbs. Cap) Bushing (8,000 lbs. Cap)
16	RA 1025349-006	Bushing (6,000 & 8,000 lbs Cap)
17	RA 1025349-003 RA 1025349-001	Bushing (6,000 lbs. Cap) Bushing (8,000 lbs. Cap)
18	RA 1025351-002 RA 1025353-002	Fork Riser (6000 lbs Cap.) Fork Riser (8000 lbs Cap.)
19	RA 1025348-007 RA 1025349-007	Bushing (6,000 lbs. Cap.) Bushing (8,000 lbs. Cap.)
20	RA 771-033	Flat Washer
21	RA 850-135-634	Load Wheel Axle (Single)
22	RA 632-069 RA 632-069-A RA 632-069-XL RA 632-069-XL-A	Poly Load Wheel, 95A Durometer Poly Load Wheel Assembly, 95A Durometer, Incl. Bearings (Single) Poly Load Wheel, 97A Durometer Poly Load Wheel Assembly, 97A Durometer, Incl. Bearings (Single)

Item	Part No.	Description
23	RA 441-015	Bearing Non-Shielded (inside LW's)
24	RA 441-127	Bearing Shielded (inside LW's)
25	RA 810-747	Spiral Pin
26	RA 1050893-001 RA 1050893-002	Rear Link Shaft (6,000 lbs. Cap.) Rear Link Shaft (8,000 lbs. Cap.)
27	RA 810-132	Snap Ring
28	RA 1044706 RA 850-139-277	Sleeve, Eccentric Pin (6,000 lbs.Cap.) Sleeve, Eccentric Pin (8,000 lbs.Cap.)
29	RA 1044707 RA 1044708	Eccentric Pin (6,000 lbs. Cap.) Eccentric Pin (8,000 lbs. Cap.)
30	RA 5-001-016	Screw
31	RA 5-019-007	Lock Washer
32	RA 5-018-007	Flat Washer
33	RA 850-138-802	Debris Guard
34	RA 1016119	Pivot Weldment (Tandem and Tandem Split)
35	RA 632-071 RA 632-071-A RA 632-071-XL RA 632-071-XL-A	Poly Load Wheel (Tandem), 95A Durometer Poly Load Wheel Assembly, Includes Bearings (Tandem), 95A Durometer Poly Load Wheel (Tandem), 97A Durometer Poly Load Wheel Assembly, Includes Bearings (Tandem), 97A Durometer
36	RA 850-137-070	Load Wheel Axle (Tandem)
37	RA 632-076 RA 632-076-A RA 632-076-XL RA 632-076-XL-A	Poly Load Wheel (Tandem Split), 95A Durometer Poly Load Wheel Assembly, Includes Bearings (Tandem Split), 95A Durometer Poly Load Wheel (Tandem Split), 97A Durometer Poly Load Wheel Assembly, Includes Bearings (Tandem Split), 97A Durometer
38	RA 850-137-285	Load Wheel Axle (Tandem Split)
39	RA 810-762	Spiral Pin
40	RA 841-111	Grease Fitting

Caster Assemblies - Caster With Springs

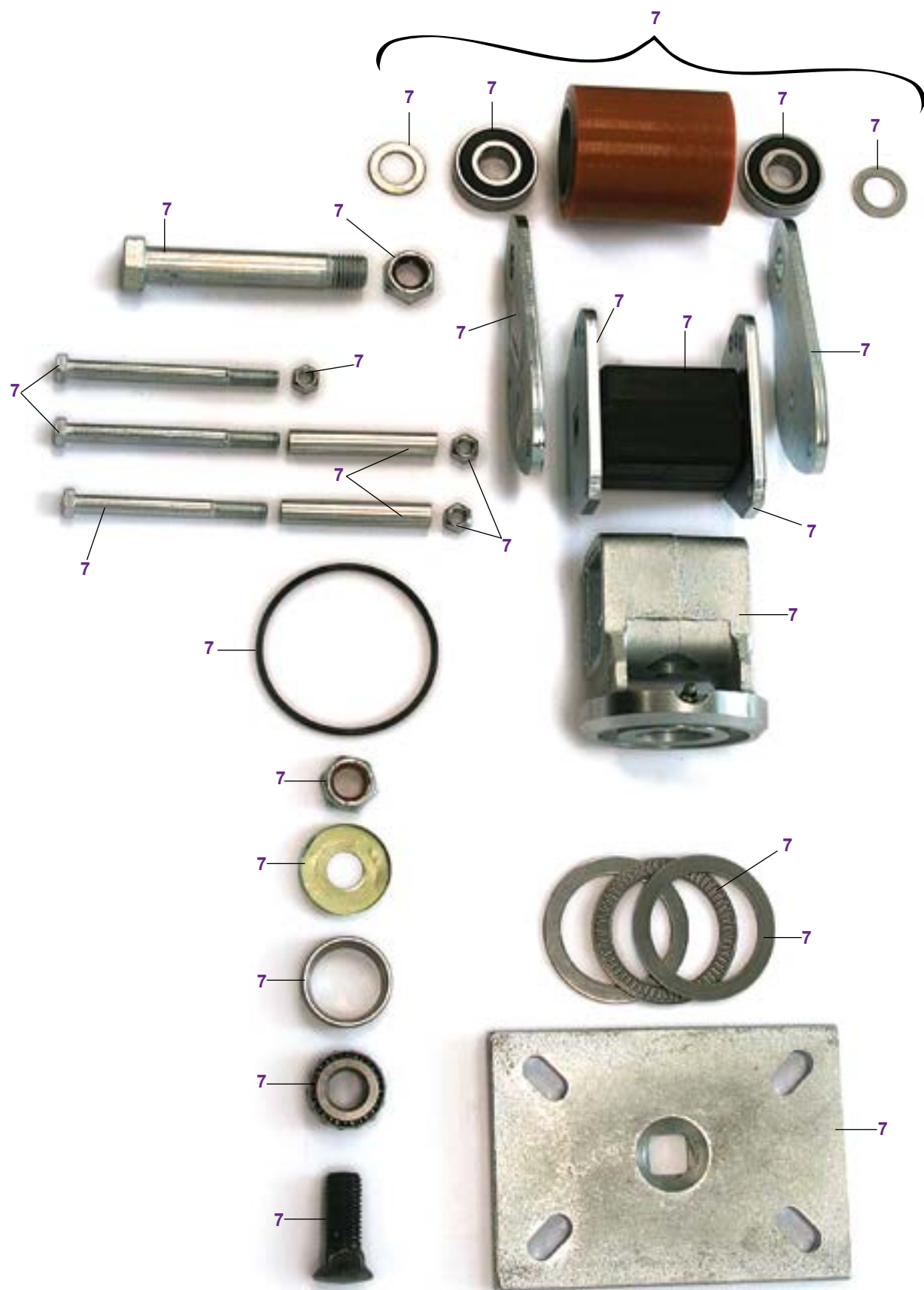


Caster Assemblies - Caster With Springs

[back to Contents](#)

Item	Part No.	Description
	RA 671-012-001	Caster Assembly with Springs, Includes All Parts Listed (95A Durometer)
1	RA 632-421/CR7 RA 632-421/CR7-XL	Poly Caster Wheel Assembly, Includes Bearings & Washers (95A Durometer) Poly Caster Wheel Assembly, Includes Bearings & Washers (97A Durometer)
2	RA 441-127	Bearing
3	RA 671-015-19	Washer
4	RA 671-015-16 RA 671-015-17	Axle Assembly Axle Assembly, Freezer/Corrosion Resistant
5	RA 671-012-22	Grease Fitting
6	RA 671-012-17 RA 671-015-15	Hinge Pin Hinge Pin, Freezer/Corrosion Resistant
7	RA 671-012-05	Screw & Washer
8	RA 671-012-02	Yoke Weldment
9	RA 671-012-04	Thrust Bearing
10	RA 671-012-03	Felt Seal
11	RA 671-012-07	Bearing Cup
12	RA 671-012-08	Bearing Cone
13	RA 671-015-05	Washer
14	RA 671-015-06	Nut
15	RA 671-015-07	Roll Pin
16	RA 671-015-08	Hub Cap
17	RA 671-015-11	Spring Locator
18	RA 671-012-12	Spring, Inner
19	RA 671-012-13	Spring, Outer
20	RA 671-012-06	Washer
21	RA 671-015-101	Plate Assembly, Includes Items 9-16
22	RA 671-015-12	Shroud Assembly
23	RA 671-015-18	Roll Pin

Caster Assemblies - Caster Without Springs



Caster Assemblies - Caster Without Springs

[back to Contents](#)

Item	Part No.	Description
	RA 1017847	Caster Assembly, Springless, 95A Durometer, Includes All Parts Listed
1	RA 671-041 RA 671-041-XL	Poly Caster Wheel Assembly, 95A Durometer, Includes Bearings and Washers Poly Caster Wheel Assembly, 97A Durometer, Includes Bearings and Washers
2	RA 671-041-08	Bearing
3	RA 671-041-09	Washer
4	RA 671-041-18	Wheel Bolt
5	RA 671-041-16	Axle Nut
6	RA 671-041-06	Axle Tube
7	RA 671-041-10	Thrust Washer
8	RA 671-041-11	Thrust Bearing
9	RA 671-041-13	Bearing Cup
10	RA 671-041-14	Bearing Cone
11	RA 671-041-15	Bearing Shield
12	RA 671-041-19	Bolt
13	RA 671-042-22	Bolt
14	RA 671-041-21	Lock Nut
15	RA 671-041-12	O-Ring
16	RA 101847-01	Housing
17	RA 671-042-04	Adjusting Plate
18	RA 671-041-03	Torsion Block
19	RA 671-041-05	Mounting Arm
20	RA 671-041-17	King Pin
21	RA 671-041-02	Base Plate



800-331-0839

www.GenericParts.com