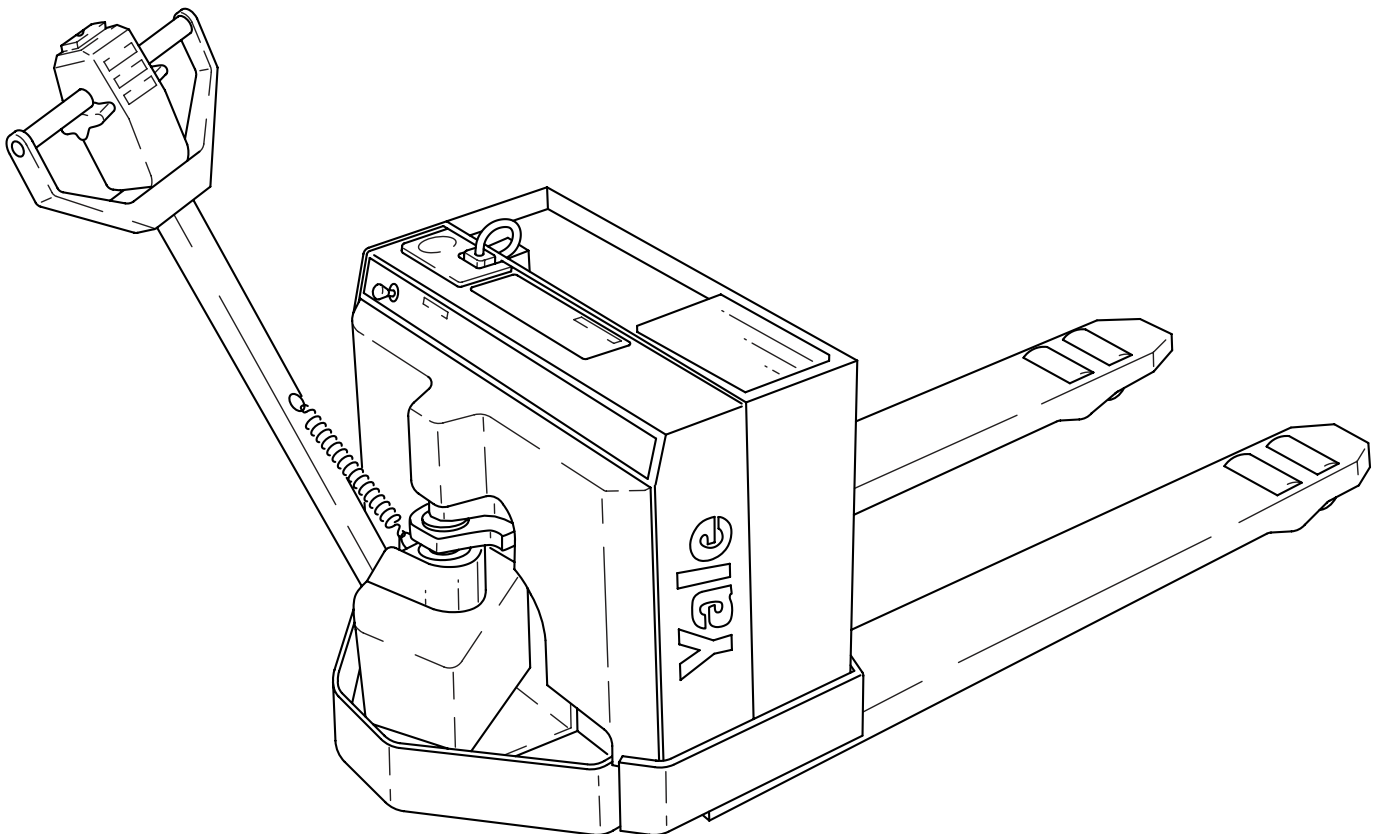


Replacement Parts
for
Yale MP/MPB 040 AC



Power

M - Motorized Hand

Type

P - Pallet

**B - Power Pack with Battery Charger
- Industrial Battery Power**

(No letter description will appear)

Rated Capacity

030 - 3,000 Lbs., 035 - 3,500 Lbs.

Special Designation

As assigned

Design Series

A - B - C etc.

Manufacturing Series

N - North America

Voltage

12 Volt - 24 Volt

Control Type

C - Contactor (Resistor)

T - Contactor (PMC)

**Overall Pallet
Fork Width**

Measured in inches

**Overall Pallet
Fork Length**

Measured in inches

M P B 030 A B N 24 C 27 48

Contents

Quick Wheel Lookup

4

Electrical/Battery

6

Control Panel

Resistor

8

PMC

10

Drive Unit and Brake Assembly

12

Motors

14

Steer Arm & Handle Assembly - PMC

16

Hydraulic

18

Frame & Undercarriage

20

This booklet is not intended to replace the original manufacturer's Parts and Service Manual. Please follow Safety Procedures outlined in the manufacturer's publication.

Quick Wheel Lookup

Quick Wheel Lookup

[back to Contents](#)

OEM #	Wheel Type	Description	Wheel OD in/mm	Tread Width in/mm	Hub Width in/mm	Hub ID in/mm	Bearing OD in/mm	Bearing #	Material/ Color
YL 065269600	Load Wheel	Poly Load Wheel-Single	3.250/83	4.500/114	4.500/114		1.574/40	6203z	Scotch, 95-A
YL 065269600-A	Load Wheel Assembly	Includes Bearings and Washers		4.500/114	4.500/114		1.574/40	6203z	Scotch, 95-A
YL 643182400-A	Riser Assembly								
GWK-MPB040AC-LW	Load Wheel Kit, 95-A	Includes (2) Durarun Poly Load Wheels (95A) w/ Bearings, Axles & Fasteners		4.500/114	4.500/114		1.574/40	6203z	Scotch, 95-A
GWK-MPB040AC-LW-XL	Load Wheel Kit, 95-A	Includes (2) XL-Poly Load Wheels (97A) w/ Bearings, Axles & Fasteners		4.500/114	4.500/114		1.574/40	6203z	Scotch, 95-
YL 501776904	Drive Tire	Poly Drive Tire-Smooth Flat	9.00/229	5.00/127		5.00/127			
YL 501776904-A	Drive Tire Assembly	Poly Drive Tire-Smooth Flat, Includes Hub	9.00/229	5.00/127		5.00/127			
YL 501776904-XG	Drive Tire	Poly Drive Tire X Groove	9.00/229	5.00/127		5.00/127			
YL 501776904-XG-A	Drive Tire Assembly	Poly Drive Tire X Groove, Includes Hub	9.00/229	5.00/127		5.00/127			
YL 517580811	Drive Tire	Rubber Drive Tire- Smooth Flat	9.00/229	5.00/127		5.00/127			Black
YL 517580811-A	Drive Tire Assembly	Rubber Drive Tire- Smooth Flat, Includes Hub	9.00/229	5.00/127		5.00/127			Black
YL 517580811-XG	Drive Tire	Rubber Drive Tire X Groove	9.00/229	5.00/127		5.00/127			Black
YL 517580811-XG-A	Drive Tire Assembly	Rubber Drive Tire X Groove, Includes Hub	9.00/229	5.00/127		5.00/127			Black
YL 501087300	Hub	Drive Wheel Hub							

YL 065269600
Load Wheel, Poly Load Wheel-Single



YL 065269600-A
Load Wheel Assembly, Includes Bearings and Washers



GWK-MPB040AC-XL
Load Wheel Kit, 95-A



YL 501776904
Drive Tire, Poly Drive Tire-Smooth Flat



YL 643182400-A
Riser Assembly



GWK-MPB040AC-LW
Load Wheel Kit, 95-A



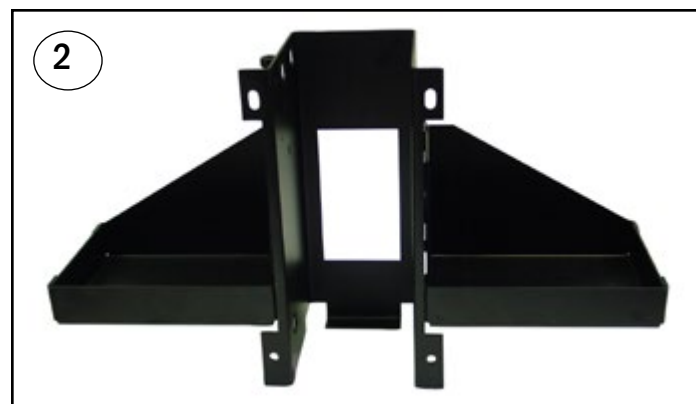
YL 517580811
Drive Tire Assembly, Rubber Drive Tire- Smooth Flat, Includes Hub



YL 501087300
Drive Wheel Hub



Electrical / Battery

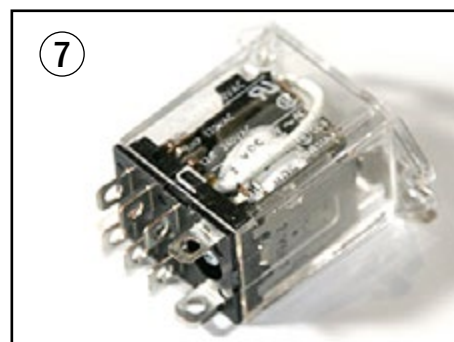
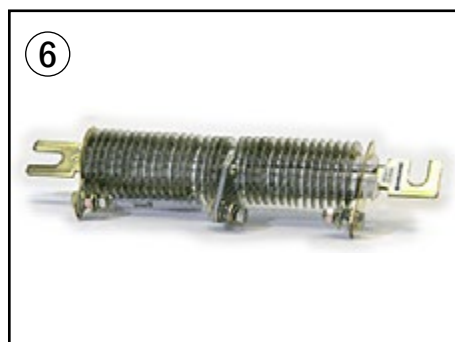
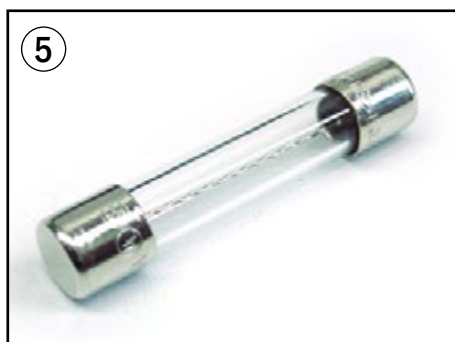
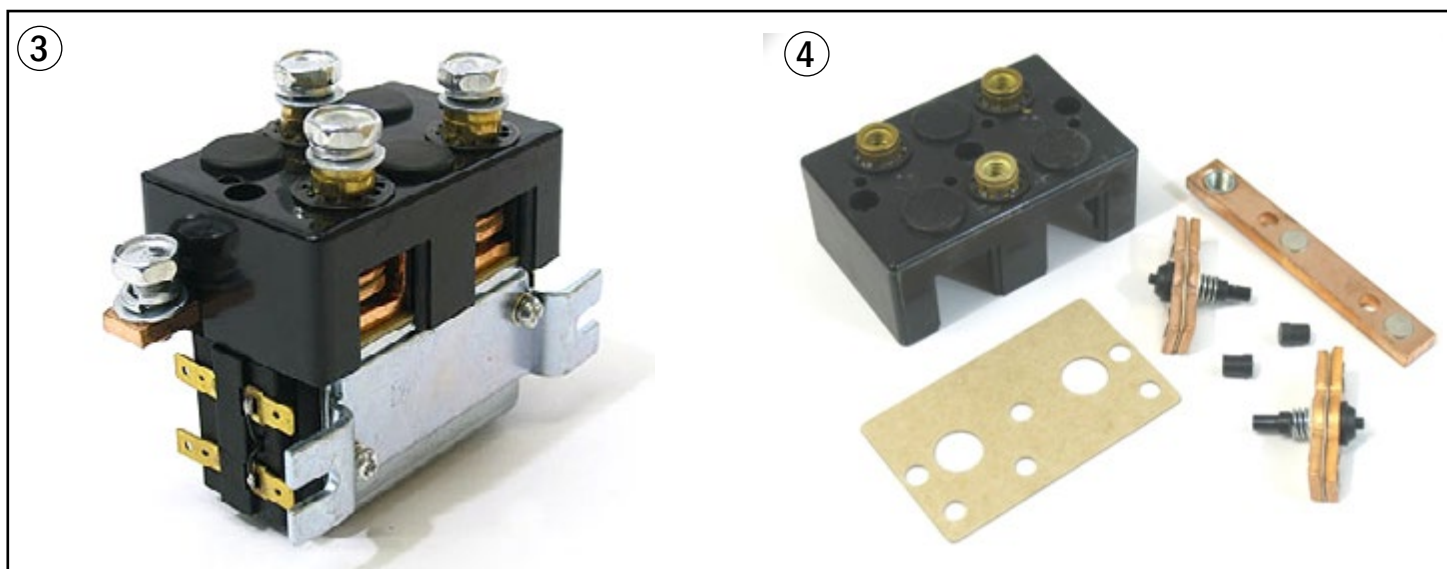
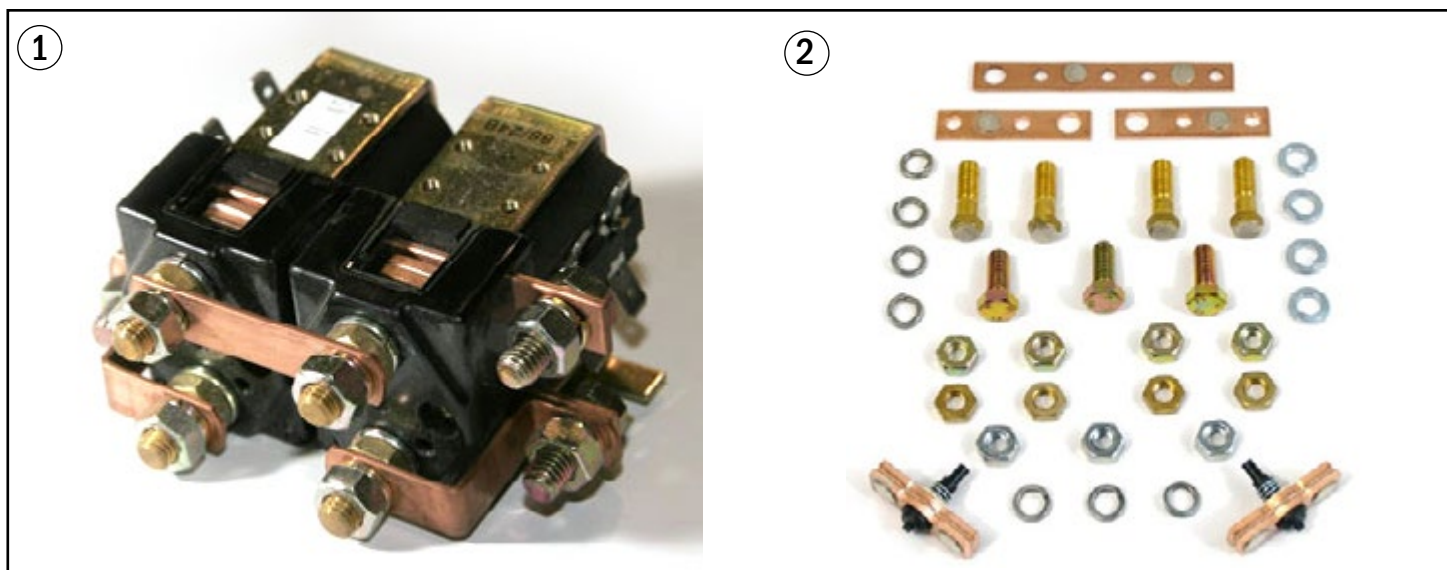


Electrical / Battery

[back to Contents](#)

Item	Part No.	Description
1	YL 518128601 YL 580010328	Battery charger, 24V, to S/N A827N-18153 Battery charger, 24V, S/N A827N-18154 & later
2	YL 518739600	Pivoting battery tray
3	YL 723291300	Gray connector, 175A w/contacts
4	YL 516490806	Contacts, set of (2), 175A
5	YL 503954200	Battery disconnect handle, w/screws and nuts
6	YL 524135014	Hour meter
7	YL 751032302	Battery discharge indicator
8	YL 752626302	Unigauge, both BDI and Hour meter
9	YL 500863104	Ignition switch, w/2 keys
10	YL 500863106	Keys (2)
11	YL 751682402	Horn
12	YL 721528104	Battery cover knob
13	YL 503918700	Wiring harness, drive unit to control handle

Control Panel - Resistor

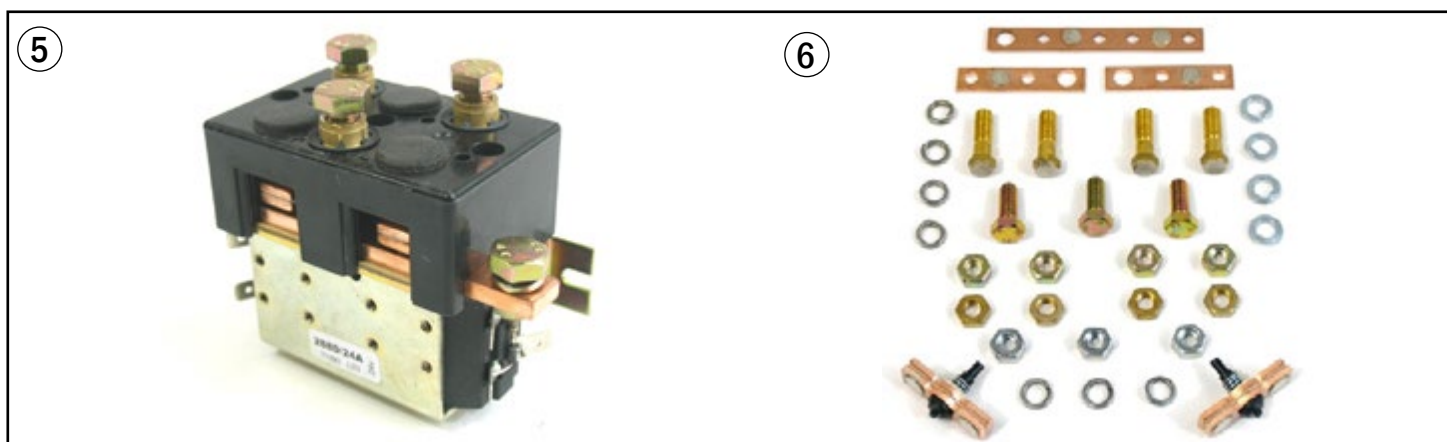
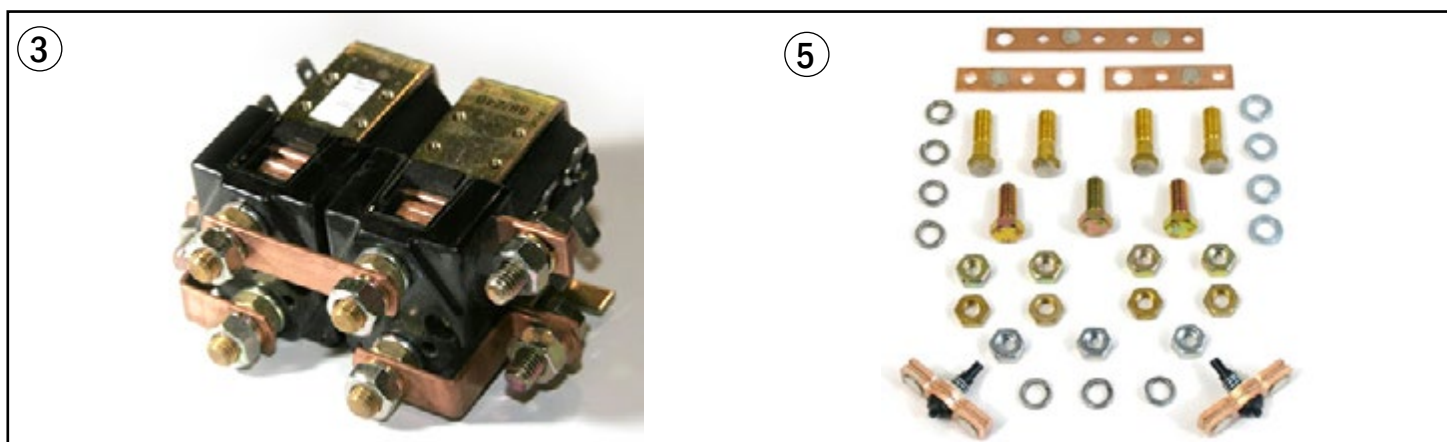
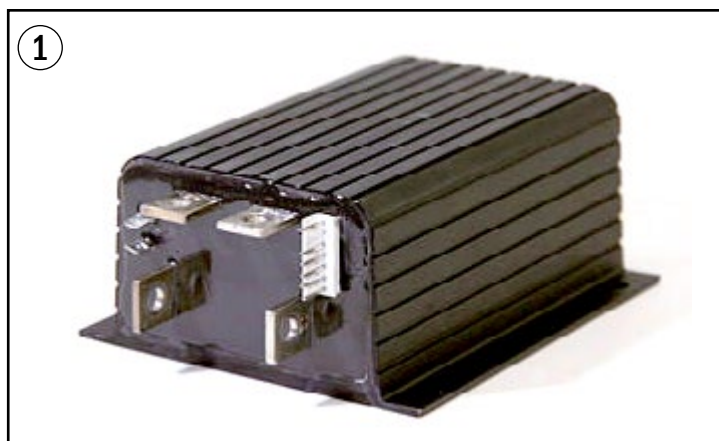


Control Panel - Resistor

[back to Contents](#)

Item	Part No.	Date/Serial Range	Application
1	YL 505175504	Contactora, F/R	to S/N A827N13548U
2	YL 150091008	Contactora service kit (YL 505175504)	
3	YL 519832602	Contactora, F/R	from S/N A827N13549U
4	ALDC88-SKR	Contactora service kit (YL 519832602)	
5	YL 512720800	Fuse, 10A	
6	YL 518655600	Resistor	
7	YL 505473501	Relay	

Control Panel - PMC

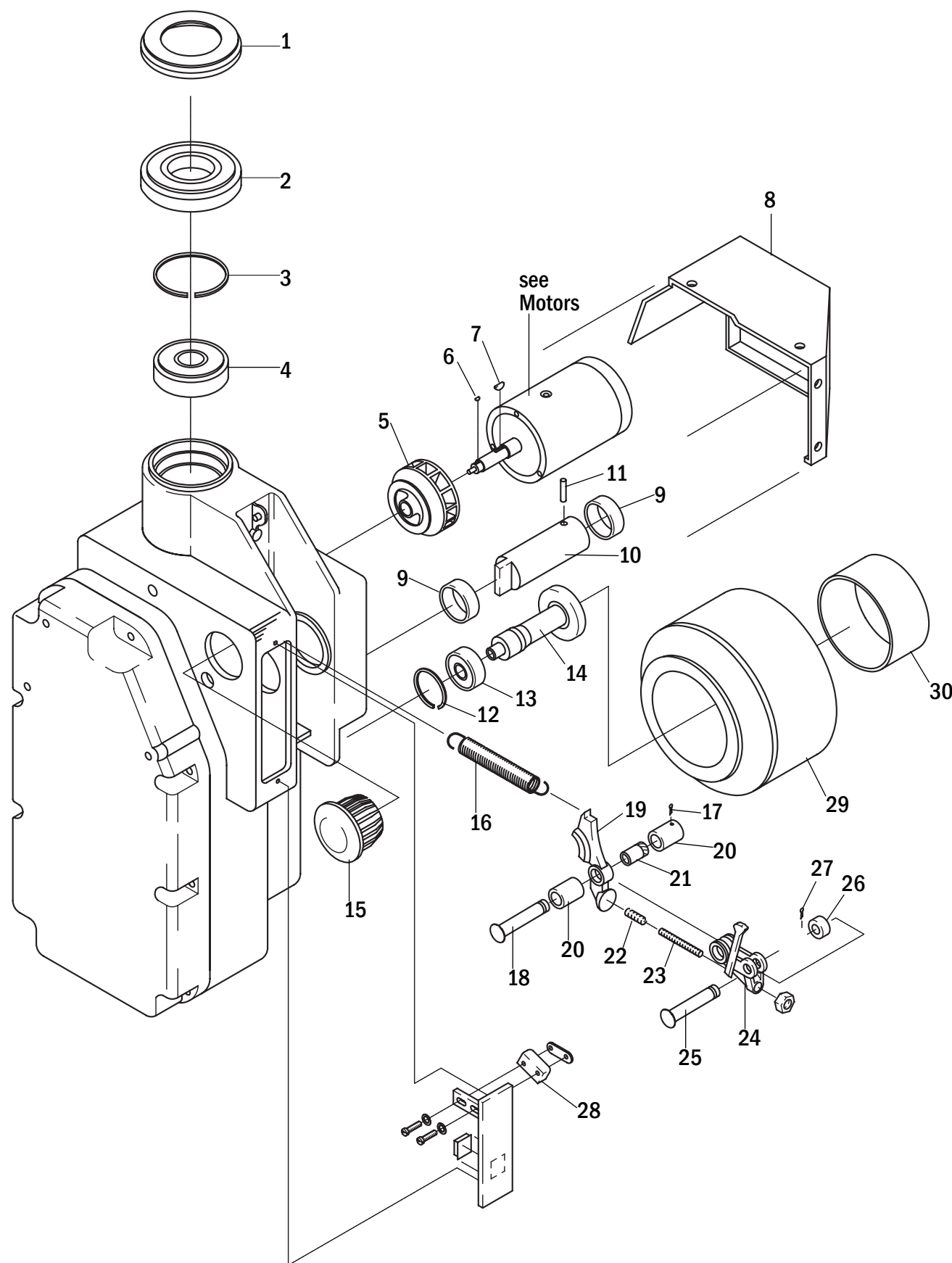


Control Panel - PMC

[back to Contents](#)

Item	Part No.	Date/Serial Range	Application
1	YL 518361601-R YL 518361601-C	PMC motor controller, 24V Core deposit	Re-manufactured to S/N A827N-14629U
2	YL 505170700-R YL 505170700-C	Controller, 24V Core Deposit	S/N A827N-14630 & later
3	YL 505175502	Contactor, F/R	to S/N A827N-14629U
4	YL 150091008	Contactor service kit (YL505175502)	
5	YL 519832607	Contactor, F/R	from S/N A827N-14630U
6	YL 150091008	Contactor service kit (YL 505175502 & YL 519832607)	
7	YL 500903103	Fuse, 15A	
8	YL 504450730	Fuse, 150A	
9	YL 504450749	Fuse, 200A	
10	YL 504314200	Bus bar (Not shown)	
11	YL 520077800	Bus bar (Not shown)	
12	YL 504313200	Bus bar (Not shown)	
13	YL 524135306	Bus bar (Not shown)	
14	YL 524135305	Bus bar (Not shown)	
15	YL 524135307	Bus bar (Not shown)	

Drive Unit and Brake Assembly

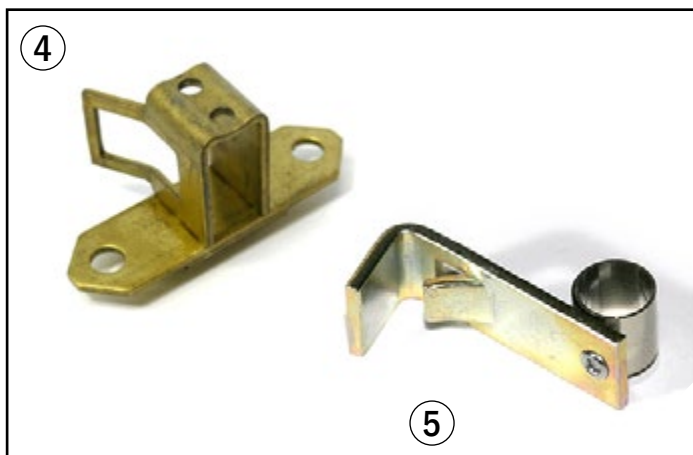
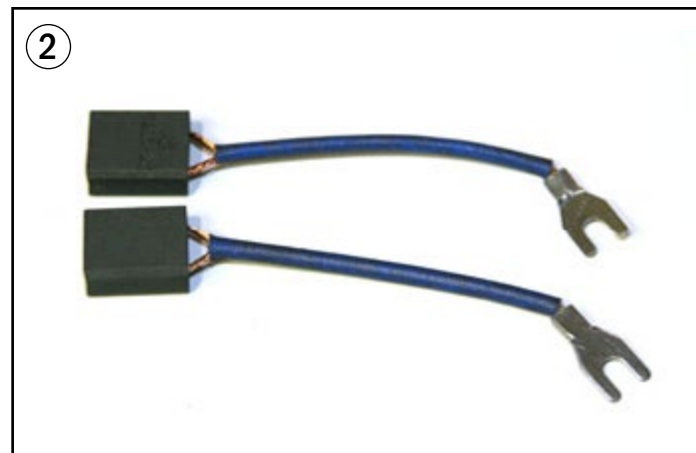
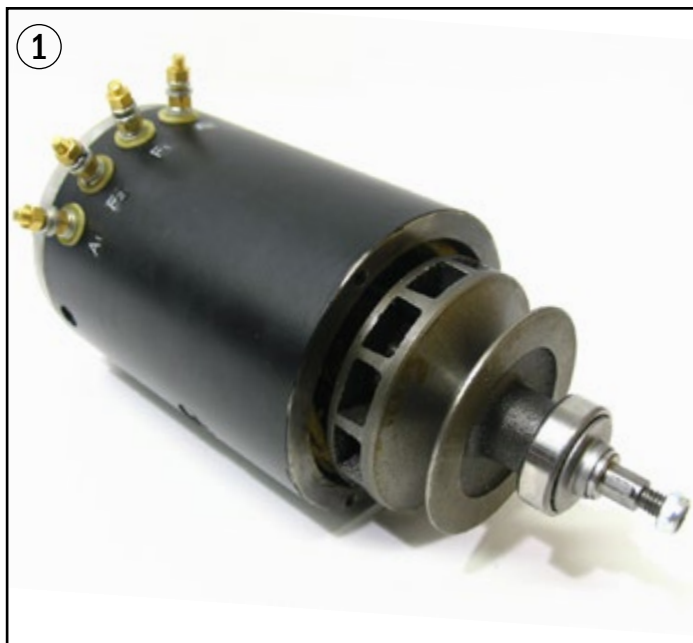


Drive Unit and Brake Assembly

[back to Contents](#)

Item	Part No.	Description
1	YL 502225100	Bearing cover
2	YL 054590500	Bearing cup
	YL 065124700	Bearing cone
3	YL 640046921	Snap ring
4	YL 500210904	Bearing cup
	YL 500209906	Bearing cone
5	YL 501092300	Brake drum
6	YL 502389911	Woodruff key
7	YL 016247100	Woodruff key
8	YL 580017142	Drive motor cover
9	YL 500046908	Bushing
10	YL 505984500	Shaft
11	YL 500067903	Roll pin
12	YL 640046911	Snap ring
13	YL 055076400	Bearing cup
	YL 060235200	Bearing cone
14	YL 506566500	Drive axle
15	YL 501864902	Plug
16	YL 502203100	Brake spring
17	YL 015416100	Cotter pin
18	YL 585004001	Pin
19	YL 501094300	Brake shoe
20	YL 502234100	Bushing
21	YL 723673100	Pin
22	YL 502315100	Spring
23	YL 311104176	Screw
24	YL 505354500	Brake cam lever
25	YL 520082839	Pin
26	YL 585038600	Roller bearing
27	YL 015414700	Cotter pin
28	YL 503781200	Switch
	YL 580004705	Switch S/N A827H-32911 & later
29	YL 501776904	Poly Drive Tire (Please see Quick Wheel Lookup page 4)
	YL 517580811	Rubber Drive Tire (Please see Quick Wheel Lookup page 4)
30	YL 501087300	Drive Tire Hub

Motors

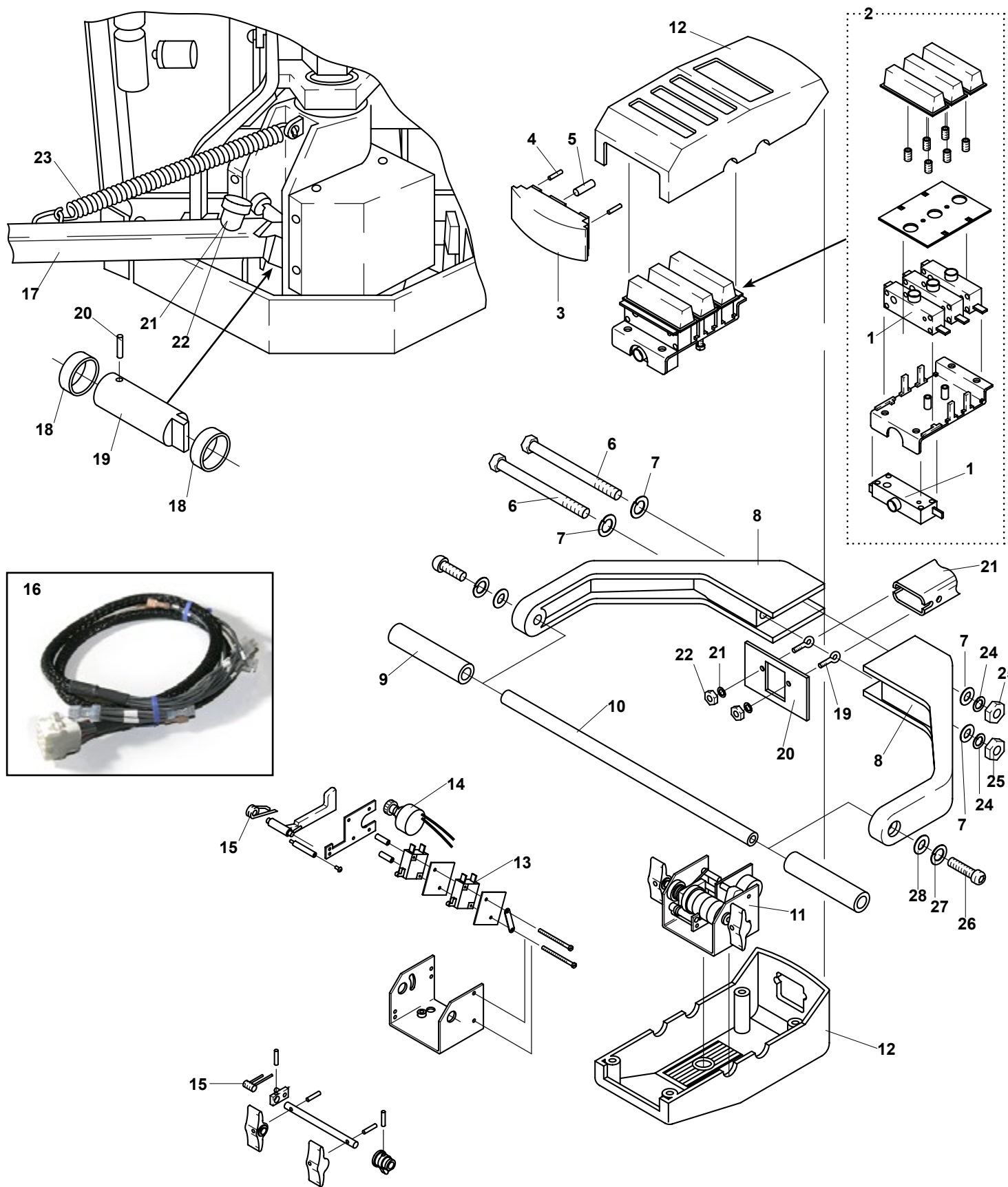


Motors

[back to Contents](#)

Item	Part No.	Date/Serial Range
1	YL 730024021-AM	Drive motor, After-Market Replacement
2	YL 519466009	Brush set (2 per bag), Original drive motor
3	YL 519466009-AM	Brush set, 4 per bag, After-market drive motor
4	YL 730008200	Brush holder, OEM drive motor
5	YL 519467004	Brush spring, OEM drive motor (Requires 2)
6	YL 580012669-AM	Hydraulic pump motor, After-market, S/N A827N-25272W & later

Steer Arm & Handle Assembly - PMC

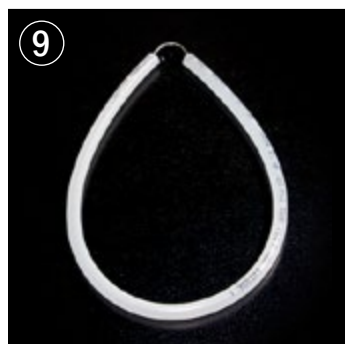
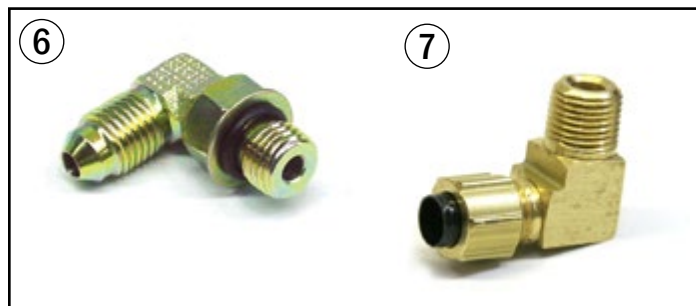
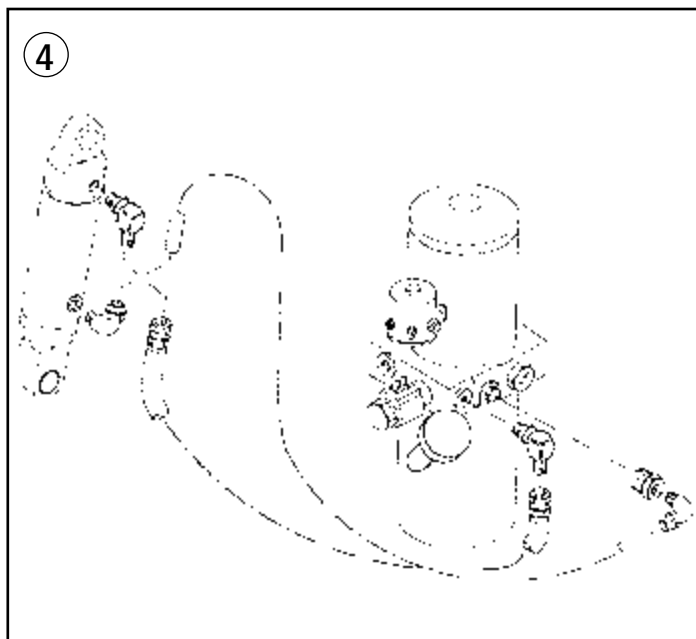
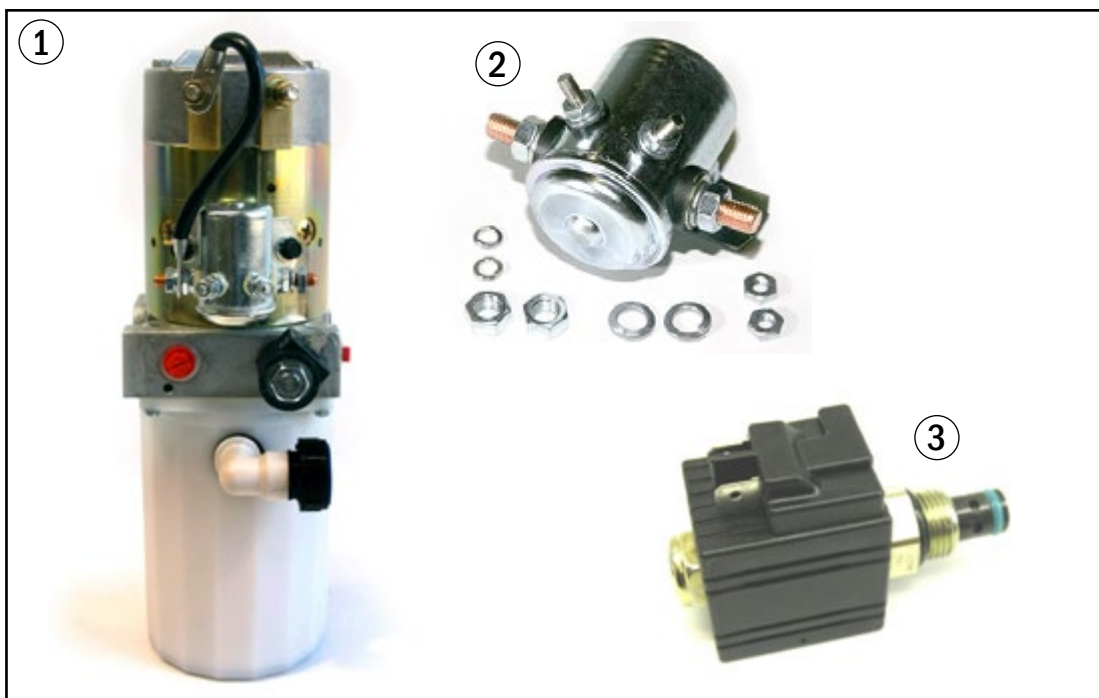


Steer Arm & Handle Assembly - PMC

[back to Contents](#)

Item	Part No.	Date/Serial Range
1	YL 519296800	Switch, Lift, Lower, Horn, Belly
2	YL 505346500	Top cover assembly, Incl. switches
3	YL 505487500	Switch actuator, Auto reverse
4	YL 501067205	Spring, Belly button cover
5	YL 503956200	Rubber stopper
6	YL 500026913	Hex screw, 5/16" x 7 1/2" Lg.
7	YL 500026912	Hex screw, 5/16" x 5 1/4" Lg.
8	YL 504981702	Handle arm (Left or right)
9	YL 519305803	Grip
10	YL 503766200	Shaft
11	YL 507118500	Butterfly switch assembly (after 9/1995)
12	YL 518217600	Handle head set, Upper and lower
13	YL 503781200	Micro switch
14	YL 507078500	Potentiometer - PMC
15	YL 519906800	Torsion spring
16	YL 580002386	Handle wiring harness assembly, Resistor & PMC
17	YL 503771700	Steer arm weldment
18	YL 500046908	Steer arm bushing, Bronze
19	YL 505984500	Steer arm pin, Bronze
20	YL 500067903	Roll pin
21	YL 110609100	Rubber bumper
22	YL 501753901	Screw for rubber bumper
23	YL 501890100	Steer arm return spring
24	YL 15026200	Lockwasher
25	YL 014936600	Nut
26	YL 060816600	Cap Screw
27	YL 015026200	Lockwasher
28	YL 016103500	Washer

Hydraulics

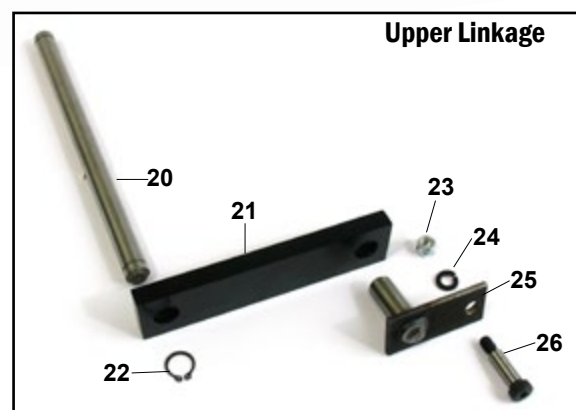
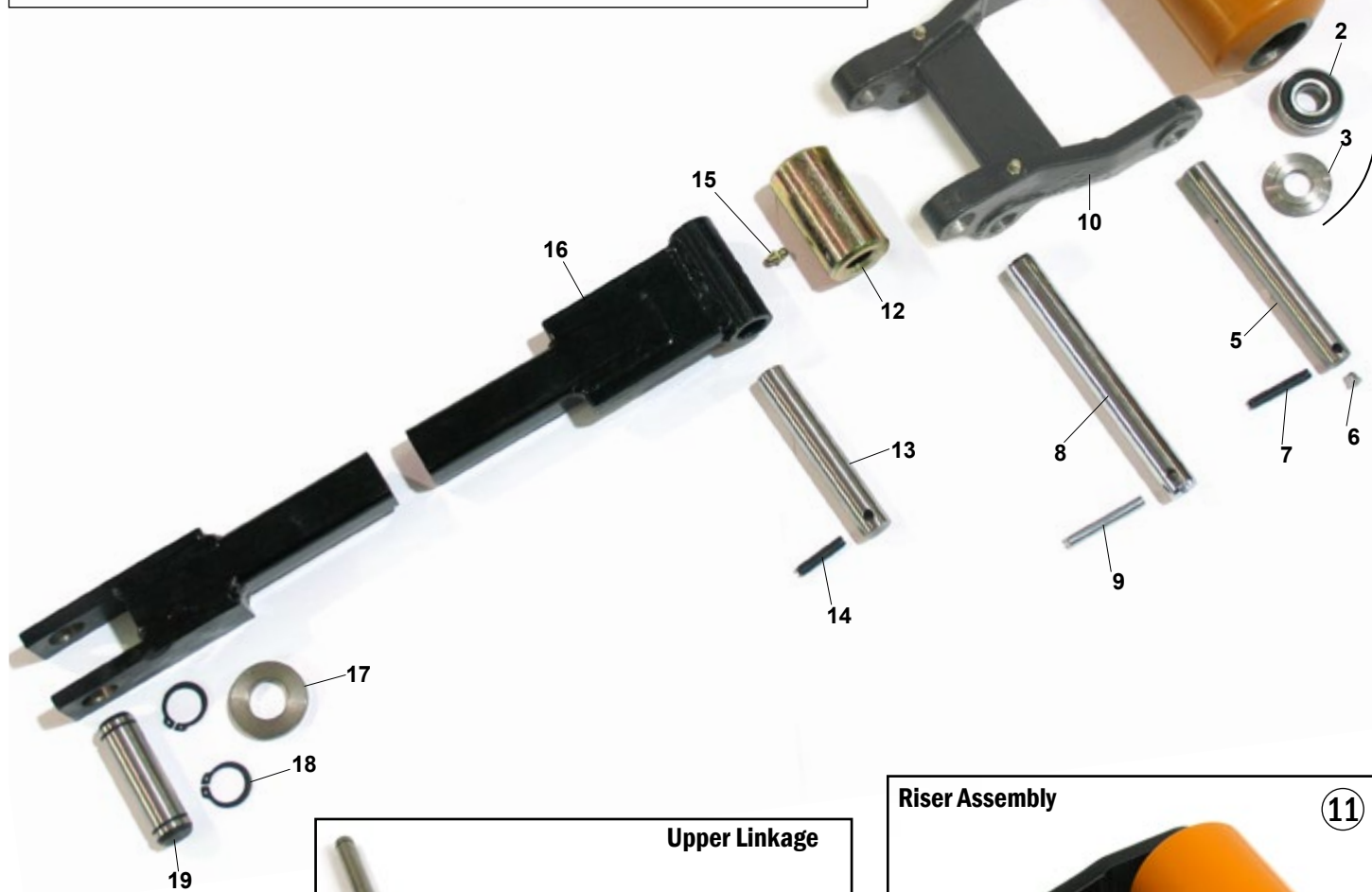
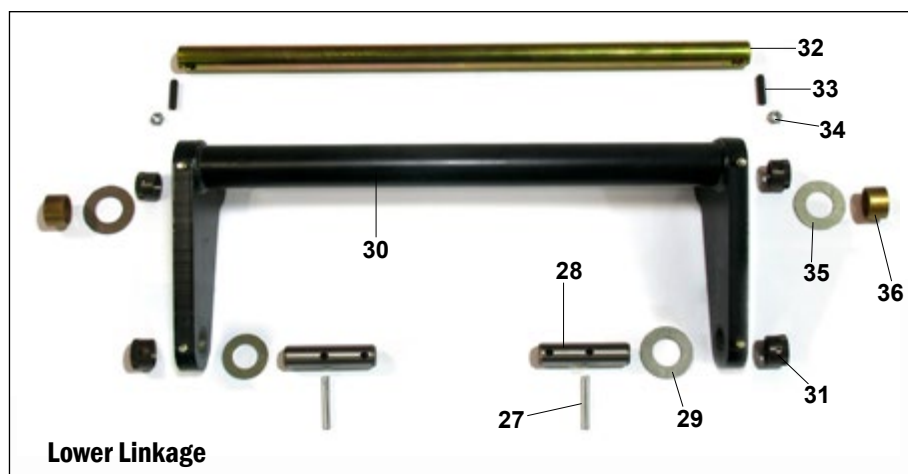


Hydraulics

[back to Contents](#)

Item	Part No.	Date/Serial Range	Description
1	YL 518140601		Hydraulic Unit, Pump & Motor Assembly, up to S/N 530405
	YL 580011004		Hydraulic Unit, Pump & Motor Assembly, up to S/N A827N-25271W
	YL 580011558		Hydraulic Unit, Pump & Motor Assembly, S/N A827N-25272W & later
2	YL 518818835		Lift Solenoid, 24V
3	YL 517161602		Solenoid Valve, 24V
4	YL 503856400		Lift Cylinder
5	YL 505163001		Packing Kit
6	YL 056363100		Fitting
7	YL 504114800		Fitting
8	YL 501710910		Hose
9	YL 310913284		Tube

Frame and Undercarriage



Frame and Undercarriage

Item	Part No.	Description
1	YL 065269600	Poly Load Wheel, 95A Durometer
	YL 065269600-XL	Poly Load Wheel, 97A Durometer
2	YL 064948400	Bearing
3	YL 065055200	Washer
4	YL 065269600-A	Poly Load Wheel Assembly, 95A Durometer, Includes Bearings & Washers
	YL 065269600-XL-A	Poly Load Wheel Assembly, 97A Durometer, Includes Bearings & Washers
	GWK-MPB040-LW	Poly Wheel Kit 95A, Includes Bearings, Axles & Washers
5	YL 640374100	Load Wheel Axle, Includes Lube Fitting
6	YL 507167800	Lube Fitting
7	YL 023025000	Roll Pin
8	YL 504734200	Pivot Pin
9	YL 055929200	Roll Pin
10	YL 643182400	Riser Assembly, Includes Lube Fitting
11	YL 643182400-A	Complete Riser Assembly, 95A Durometer, Includes Poly Load Wheel, Axles & Roll Pins
	YL 643182400-XL-A	Complete Riser Assembly, 97A Durometer, Includes Poly Load Wheel, Axles & Roll Pins

Item	Part No.	Description
12	YL 751791300	Steel Roller Assembly
13	YL 064857200	Link Pin
14	YL 055929200	Roll Pin
15	YL 015631500	Lube Fitting
16	YL 502447503	Push Rod, 48" Fork Length
17	YL 751776300	Spacer
18	YL 500227905	Retaining Ring
19	YL 641786101	Pin
20	YL 502303101	Pin
21	YL 500989200	Link
22	YL 15918200	Retaining Ring
23	YL 14936600	Nut
24	YL 15026200	Lockwasher
25	YL 640697303	Pin & Plate
26	YL 62143700	Hex Bolt
27	YL 023024200	Roll Pin
28	YL 503688200	Pin
29	YL 502423914	Shim
30	YL 518353601	Bellcrank, 27" Wide Frame
31	YL 640434100	Bushing
32	YL 518360601	Bellcrank Pin, 27" Wide Frame
33	YL 014805000	Set screw
34	YL 014970800	Nut
35	YL 016117600	Shim
36	YL 723660100	Bushing





800-331-0839

www.GenericParts.com