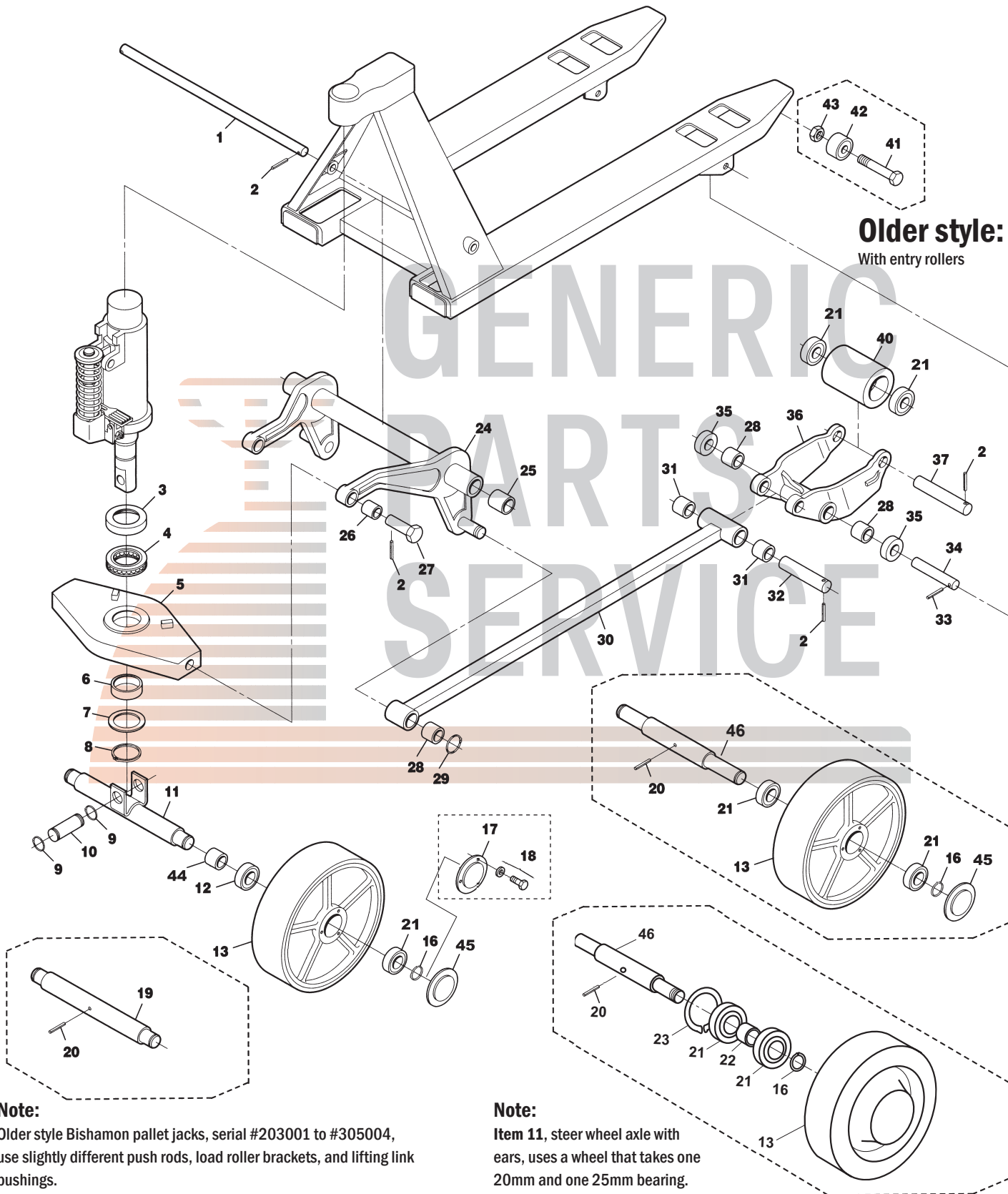


# Bishamon BS-55 Frame



**Older style:**  
With entry rollers

**Note:**  
Older style Bishamon pallet jacks, serial #203001 to #305004, use slightly different push rods, load roller brackets, and lifting link bushings.  
**These parts are not interchangeable.** Please be sure you know which jack you have before ordering parts. The easiest way to tell, besides the serial number, is older style jacks have entry rollers (item 42).

**Note:**  
**Item 11,** steer wheel axle with ears, uses a wheel that takes one 20mm and one 25mm bearing.  
**Item 19,** steer wheel axle with no ears, uses a wheel that takes one 20mm and one 25mm bearing.  
**Item 46,** steer wheel axle, uses a wheel that takes two 20mm bearings.

# Bishamon BS-55 Frame

Item	Part No.	Description
1	12007244	Lifting Link Shaft, 27" Wide Jack
2	90980530	Roll Pin
3	12003683	Bearing Cover
4	81251109	Traverse Bearing
5	12013674	Traverse
6	81940442	Bushing
7	12003693	Washer
8	80845025	Snap Ring
9	80848009	Snap Ring
10	12103784	Pin
11	02103774	Steer Wheel Axle, Oldest Style
12	6005 ZZ	Bearing, 25mm ID
	81036205	Bearing (OEM Steer Wheel Only)
13	12061733-A1-HD	Steer Wheel Assembly, Red Ultra-Poly On Aluminum Hub W/ (1) 20 mm and (1) 25 mm Bearing
	12061733-A1-ST	Steer Wheel Assembly, Black Poly On Nylon Hub W/ (1) 20 mm and (1) 25 mm Bearing
	12061733-S1	Steer Wheel Assembly, Steel W/ (1) 20 mm and (1) 25 mm Bearing
	12061733-A2-HD	Steer Wheel Assembly, Red Ultra-Poly On Aluminum Hub W/ (2) 20 mm Bearings
	12061733-A2-ST	Steer Wheel Assembly, Black Poly On Nylon Hub W/ (2) 20 mm Bearings
	85001753-A	Steer Wheel Assembly, Nylon, Newer Style Closed Hub W/ (2) 20 mm Bearings
16	80845011	Snap Ring
17	12003753	Hub Cap (Not Used On Aluminum Hub)
18	90890512	Bolt and Washer (OEM Steer Wheel Only)
19	12003710-1	Axle, Older Style
20	90980845	Roll Pin
21	81046204	Bearing, 20 mm ID
	81036004	Bearing, 20 mm ID, (For OEM 2-3/4" Load Roller Only)
	81026304	Bearing (For OEM Steer Wheel Only)
22	52103690	Sleeve
23	80846026	Snap Ring
24	02108204	Lifting Link, 27" Wide Jack

Item	Part No.	Description
25	81920263	Bushing, 20-1/2" Wide Jack
	81922283	Bushing, 27" Wide Jack (Newer Style)
	81920283	Bushing, 27" Wide Jack
26	81916201	Bushing
27	12003703	Shoulder Pin
28	81920243	Bushing
29	80847015	Snap Ring
30	02108264	Push Rod, 48" Forks (Newer Style)
	02016263	Push Rod, 48" Forks (Older Style, Serial #203001 to # 305004)
31	81920241	Bushing
32	12003293	Push Rod Axle
33	90980540	Roll Pin
34	12003313	Pivot Axle
35	12103433	Exit Roller
36	02103304	Load Roller Bracket (Newer Style)
	02003304	Load Roller Bracket (Older Style) Replace W/ 02103304
37	12003333	Load Roller Axle
40	85007098-A	Load Roller Assembly, 2-3/4" Diameter, Black Ultra-Poly On Steel Hub W/ Bearings
	85007098-N-A	Load Roller Assembly, 2-3/4" Diameter, Nylon W/ Bearings
	12061323-A-D	Load Roller Assembly, 3-1/4" Diameter, Red Ultra-Poly On Aluminum Hub W/ Bearings
	12061323-A	Load Roller Assembly, 3-1/4" Diameter, Black Ultra-Poly On Steel Hub W/ Bearings
	12061323-N-A	Load Roller Assembly, 3-1/4" Diameter, Nylon W/ Bearings
	GWK-BS55-LW	Load Wheel Kit, (2) Black Ultra-Poly Load Roller Assemblies (70D), W/ Bearings, Axles & Fasteners
41	52008153	Bolt
42	52008143	Entry Roller
43	90931508	Adjusting Nut
44	BU 25mm	Spacer
45	BU 47mm HC	Hub Cap
46	12003710-2	Axle, Newer Style