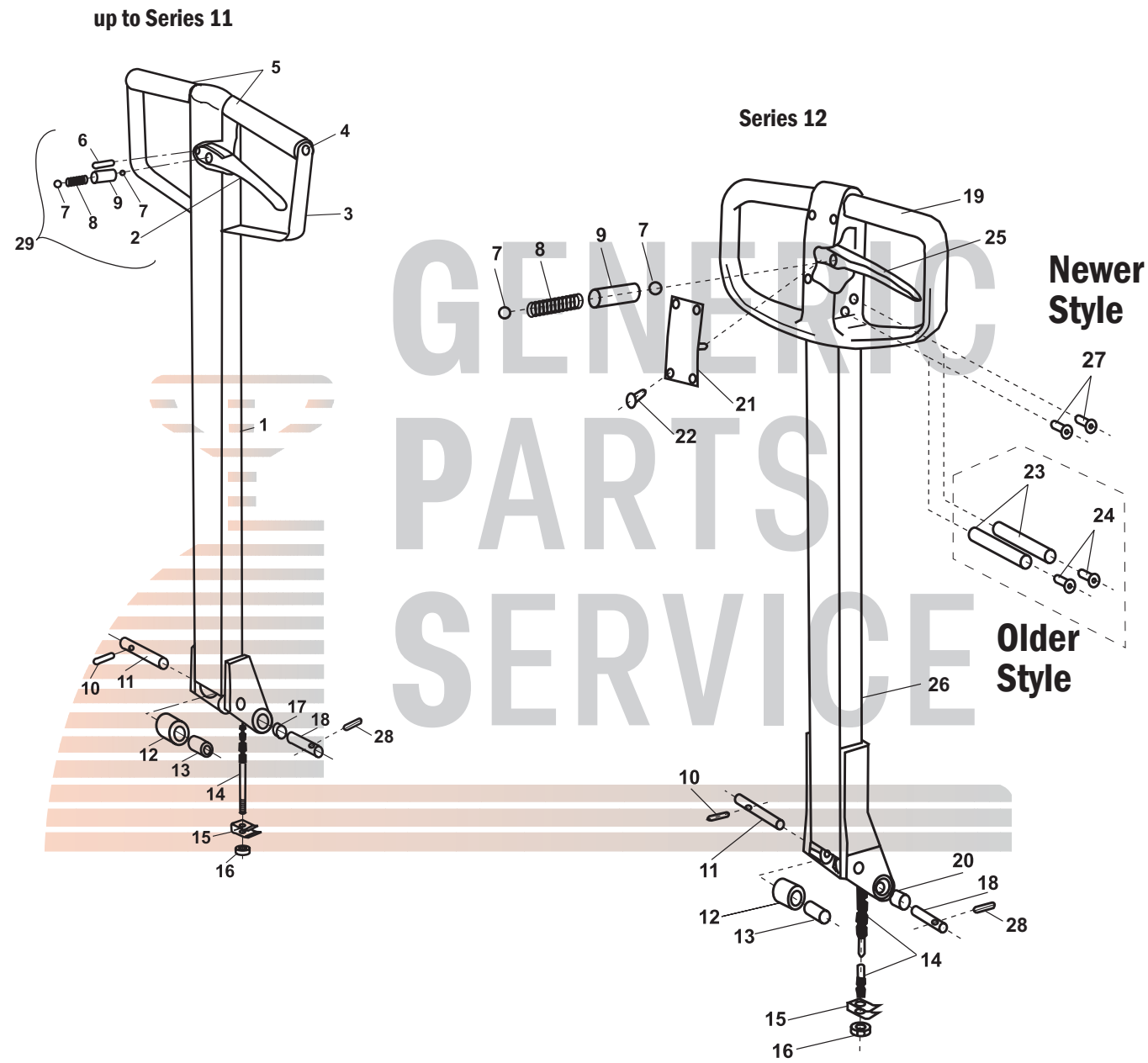


BT L Series Handles



Note:
 Series 11 Handle Assembly (#1) and
 Series 12 Handle (#26) Assemblies
 are interchangeable.

Item #29 can be used as replacement
 for both handle styles.

BT L Series Handles

Item	Part No.	Description
1	17470	Handle Assembly (Includes Items 1 - 14; 17)
3	47083	Control Lever
2	47082	Clamp
4	24470	Screw
5	47074	Handle Grip
6	20105	Roll Pin
7	22757	Ball
8	47089	Spring
9	54140	Sleeve
10	20461	Roll Pin
11	47930	Pin
12	47929	Roller
13	22108	Bushing
14	17469	Control Rod and Chain Assembly
	17469-A	Master Link
	17469-B	Chain
	17469-C	Pin
15	42631	Spring Clip
16	21094	Adjusting Nut

Item	Part No.	Description
17	22107	Bushing
18	47931	Handle Pin
19	173752	Handle Loop
20	176827	Bushing
21	173753	Cap
22	177154	Screw
23	176838	Sleeve
24	176914	Screw
25	173754	Control Lever
26	175753	Handle Assembly (Includes 7-14 & 19-27)
27	173764	Plastic Plug
28	20071	Roll Pin
29	210717	Control Lever Kit (Includes items 2, 6-9)
	60056	Brake Cable Assembly (up to Series 10)
	150785	Brake Cable Assembly (Series 11)
	177113	Brake Cable Assembly (Series 12)
	109305	Brake Wheel, Poly On Steel, Closed Hub
	156142	Brake Wheel, Poly On Steel, Open Hub

Brake Parts

