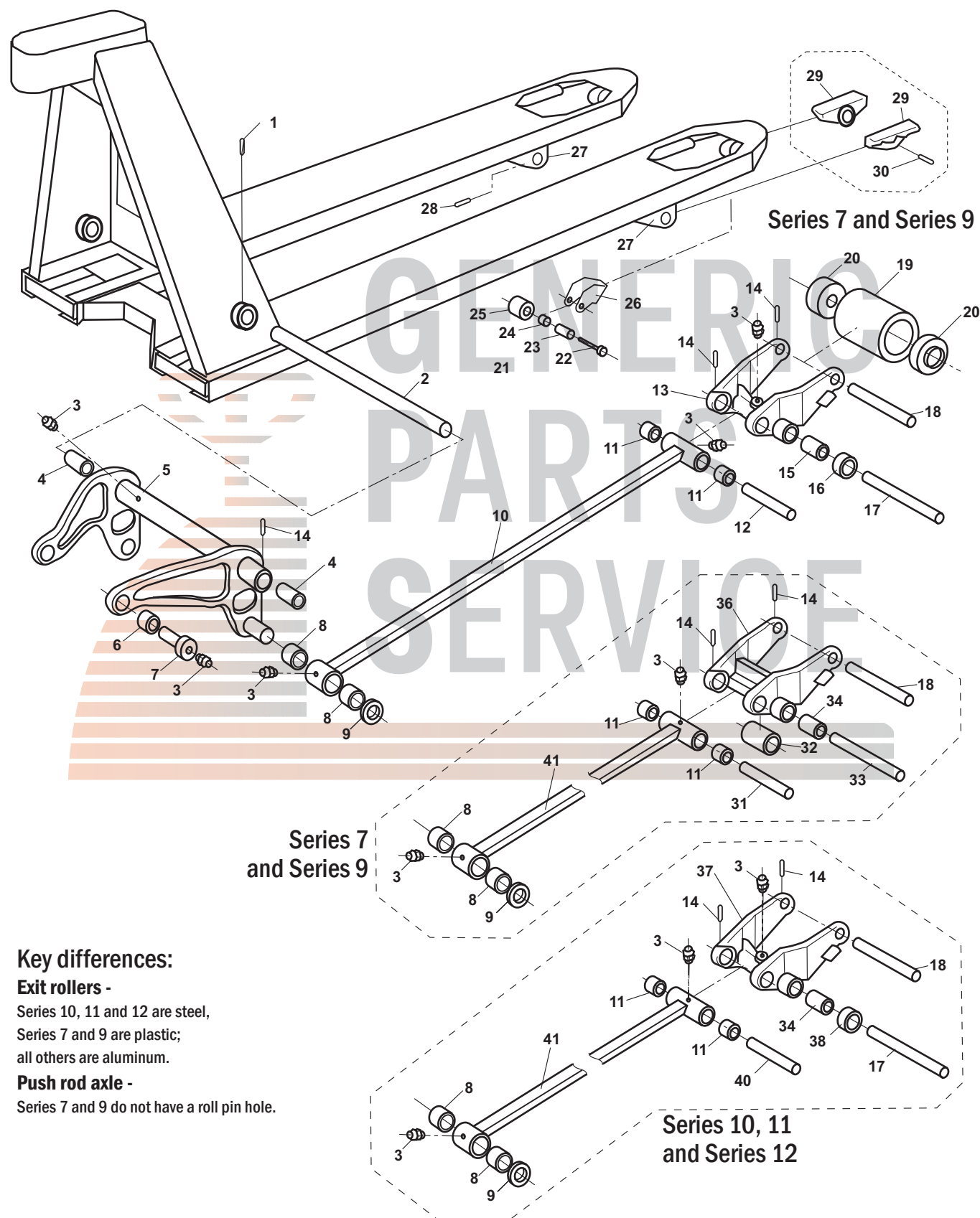


BT L 2000-U and L 2300-U Frame



Key differences:

Exit rollers -

Series 10, 11 and 12 are steel,
Series 7 and 9 are plastic;
all others are aluminum.

Push rod axle -

Series 7 and 9 do not have a roll pin hole.

BT L 2000-U and L 2300-U Frame

Item	Part No.	Description
1	22128	Roll Pin
2	47157	Lifting Link Shaft, 27" Wide Jack
3	20026	Grease Fitting (Threaded)
	27662	Grease Fitting (Press-In)
4	47167	Bushing
5	64183	Lifting Link, 27" Wide Jack
6	30018	Bushing
7	127304	Shoulder Pin, Series 10
	166701	Shoulder Pin, Series 11 and 12
8	30023	Bushing
9	20013	Washer
10	48264	Push Rod, 48" Forks
11	47117	Bushing
12	47120	Push Rod Axle
13	47137	Load Roller Bracket
14	20001	Roll Pin
15	30024	Bushing
16	58027	Exit Roller (Steel, 11.5 to 12mm Thick)
17	47134	Pivot Axle
18	179393	Load Roller Axle (Stainless Steel)
	111257	Load Roller Axle
19	167609-D	Load Roller Assembly, Red Ultra-Poly On Aluminum Hub W/ Bearings, 2.9" Diameter
	167609	Load Roller Assembly, Black Ultra-Poly On Steel Hub W/ Bearings, 2.9" Diameter
GWK-BTL-LW	167600	Load Roller Assembly, Nylon W/ Bearings, 2.9" Diameter
	15881-D-WA	Load Roller Assembly, Red Ultra-Poly On Aluminum Hub W/ Bearings, 2.9" Diameter Wet Application
	15881-WA	Load Roller Assembly, Black Ultra-Poly On Steel Hub W/ Bearings, 2.9" Diameter, Wet Application
	55002-A	Load Roller Assembly - 2.9" Diameter, Steel
	GWK-BTU-LW	Load Wheel Kit, (2) Black Ultra-Poly (70D), Load Roller Assemblies, W/ Bearings, Axles & Fasteners

Item	Part No.	Description
20	167630	Bearing, 47 mm OD (Newer Style)
	22053	Bearing, Older Style Wheel
21	21385-A	Axle Assembly
22	21385	Bolt
23	47151	Sleeve
24	20433	Nut
25	47150	Entry Roller
26	47110	Entry Roller Bracket
27	47135	See Item 29, Part #119911
28	20014	See Item 30, Part #27921
29	119911	Ear-Weldment
	47135	Ear-Weldment
30	27921	Roll Pin
31	110777	Push Rod Axle
32	105369	Exit Roller (Nylon)
33	109478	Pivot Axle
34	51805	Bushing
36	128539	Load Roller Bracket
37	130750	Load Roller Bracket, Series 10
	149466	Load Roller Bracket, Series 11 and 12
38	65601	Exit Roller (Steel, 9.5 to 10mm Thick)
40	126131	Push Rod Axle
41	109566-122	Push Rod, 48" Forks, Series 10
	157213	Push Rod, 48" Forks, Series 11 and 12

Load Wheel Kit

