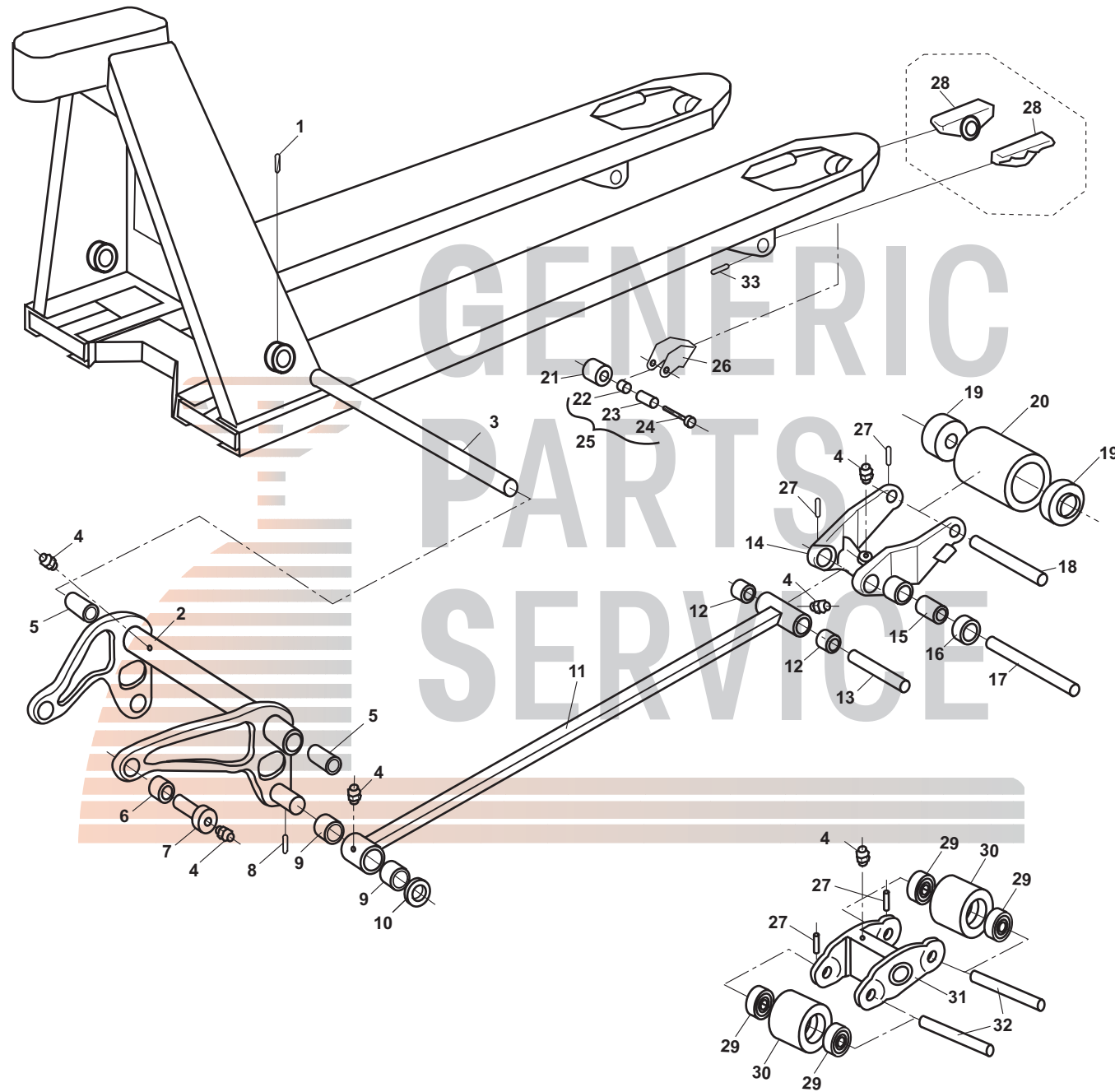


# BT LHM-230 Frame



# BT LHM-230 Frame

Item	Part No.	Description
1	22128	Roll Pin
2	47157	Lifting Link, 27" Wide Jack
3	64183	Lifting Link Shaft, 27" Wide Jack
4	27662	Grease Fitting (Press-In)
5	47167	Bushing
6	30018	Bushing
7	166701	Shoulder Pin
8	20001	Roll Pin
9	51805	Bushing
10	20013	Washer
11	157213	Push Rod, 48" Forks
12	47117	Bushing
13	126131	Push Rod Axle
14	149466	Load Roller Bracket
15	51805	Bushing
16	66367	Exit Roller
17	47134	Pivot Axle
18	47133	Load Roller Axle
	179393	Load Wheel Axle (Stainless Steel)
19	167630	Bearing
20	167609-D	Load Roller Assembly, Red Ultra-Poly On Aluminum Hub W/ Bearings
	167609	Load Roller Assembly, Black Ultra-Poly On Steel Hub W/ Bearings
	167600	Load Roller Assembly, Nylon W/ Bearings
	15881-D-WA	Load Roller Assembly, Red Ultra-Poly On Aluminum W/ Bearings, Wet Application
	15881-WA	Load Roller Assembly, Black Ultra-Poly On Steel Hub W/ Bearings, Wet Application
	55002-A	Load Roller Assembly, Steel
	GWK-LHM-LW	Load Wheel Kit, (2) Black Ultra-Poly (70D), Load Roller Assemblies, W/ Bearings, Axles & Fasteners

Item	Part No.	Description
21	47150	Entry Roller
22	20433	Nut
23	47151	Sleeve
24	21385	Bolt
25	21385-A	Axle Assembly
26	47110	Entry Roller Bracket
27	20001	Roll Pin
28	47135	Ear-Weldment
29	167630	Bearing
30	167612	Load Roller Assembly, Tandem Black Ultra-Poly On Steel Hub, W/ Bearings
31	179206	Tandem Load Roller Bracket
32	47162	Load Roller Axle, Tandem
33	27921	Roll Pin

### Load Wheel Kit

