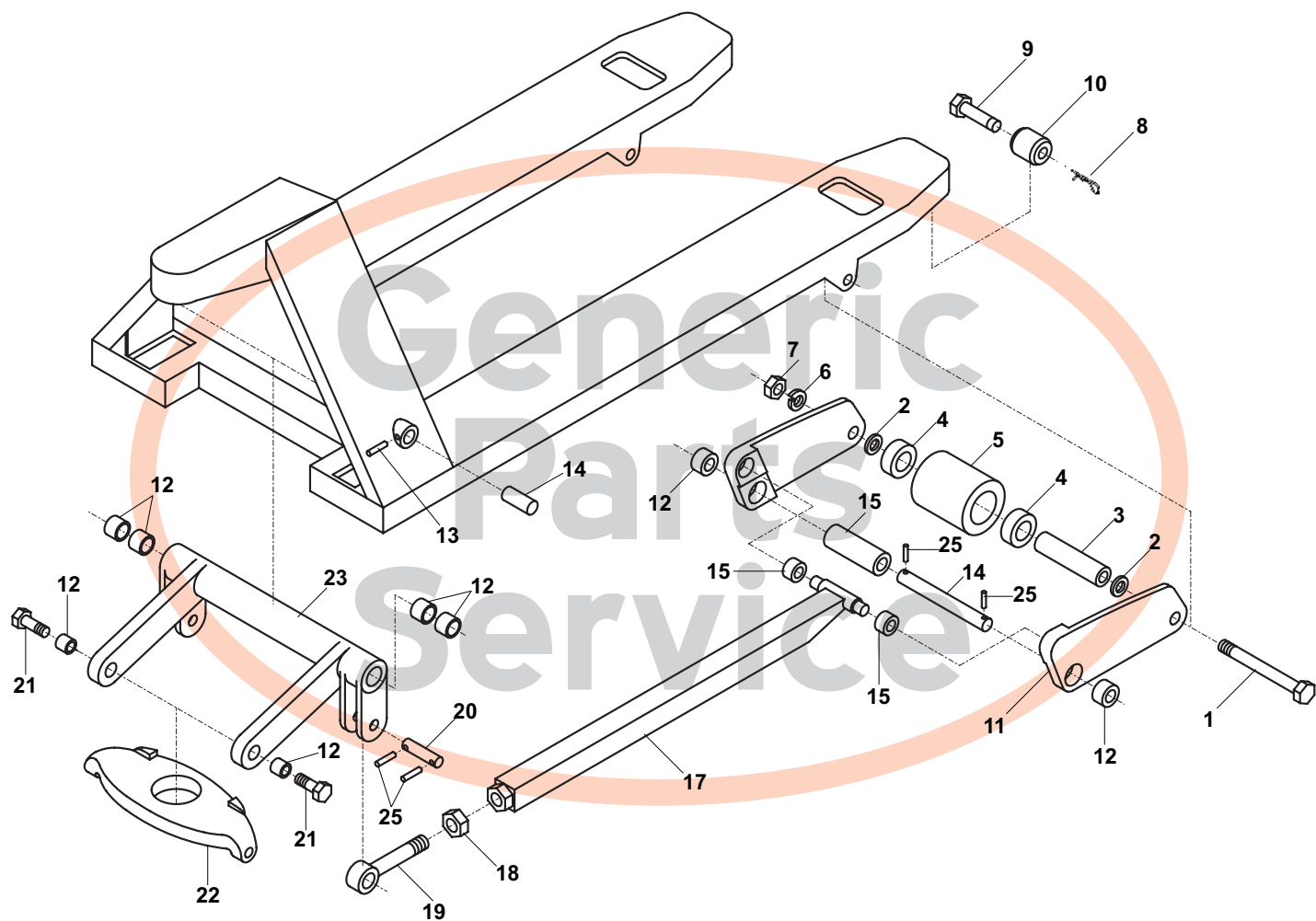


Dayton 3KR84 Frame



Dayton 3KR84 Frame

Item	Part No.	Description
1	PM-1F	Bolt , LW Axle
2	PM-2F	Washer
3	PM-3F	Shaft, Sleeve
4	PM-4F	Bearing
5	PM-5F-A	Load Wheel Assembly, Black Ultra Poly on Steel Hub W/Bearings
	PM-5F-N-A	Load Wheel Assembly, Nylon W/Bearings
	PM-5F-S-S	Load Wheel Assembly, Solid Steel W/Bearings
6	PM-6F	Lock Washer
7	PM-7F	Nut
8	PM-8F	Cotter Pin
9	PM-9F	Pin
10	PM-10F	Entry Roller
11	PM-11F	Bracket Assembly, Set LH & RH

Item	Part No.	Description
12	PM-12F	Bushing
13	PM-13F	Roll Pin
14	PM-14F	Roll Pin
15	PM-15F	Bushing
16	PM-16F	Exit Roller
17	PM-17F	Push Rod
18	PM-18F	Jam Nut
19	PM-19F	Eye Bolt
20	PM-20F	Pin
21	PM-21F	Shoulder Bolt
22	PM-22F	Traverse Plate
23	PM-23F	Lifting Link
24	PM-24F	Pin
25	PM-25F	Roll Pin