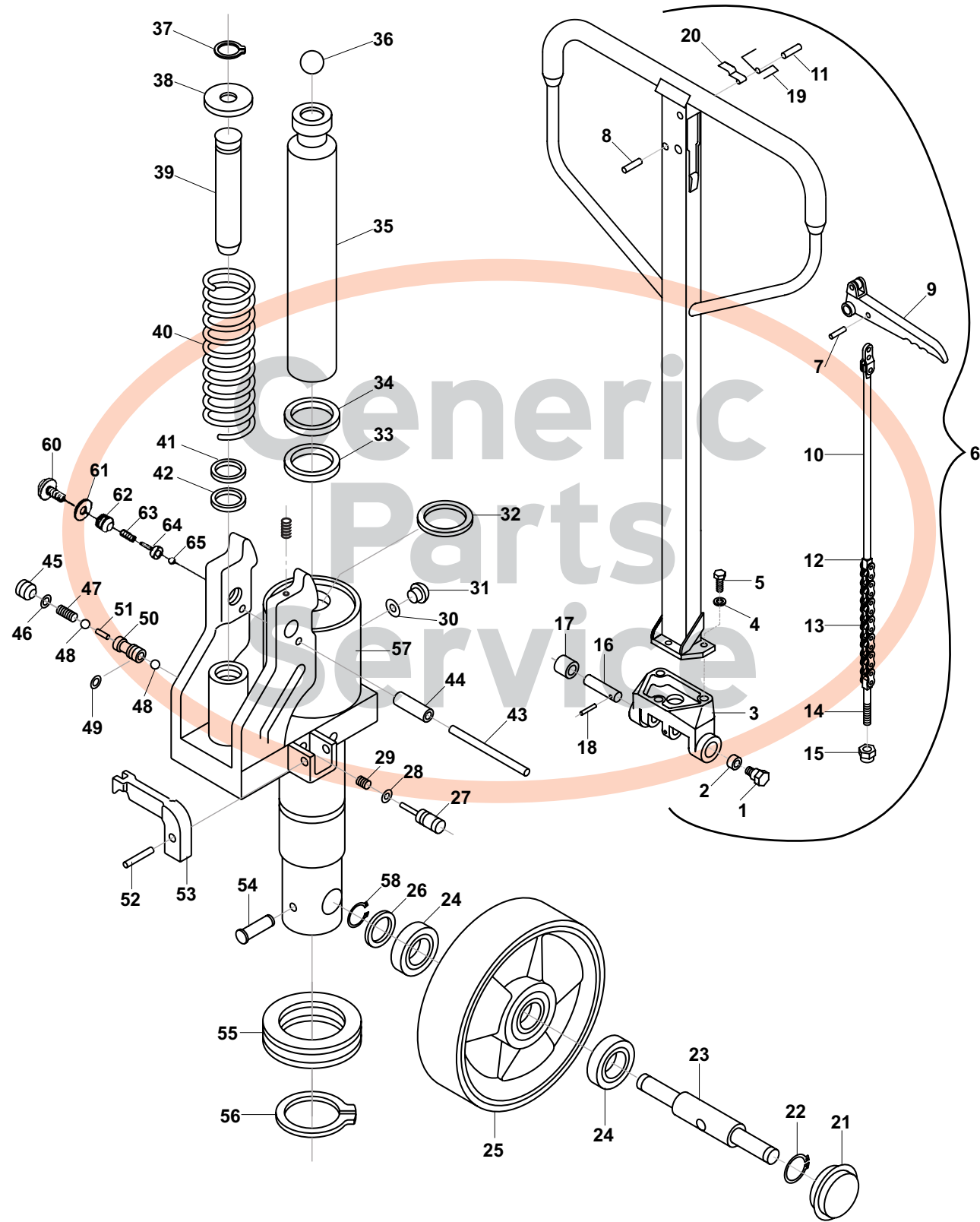


Dayton 3KR84 Hydraulic Unit



Dayton 3KR84 Hydraulic Unit

Item	Part No.	Description	
1	PM-1HB	Shoulder Bolt	
2	PM-2HB	Bushing	
3	PM-3HB	Handle Bracket	
4	PM-4HB	Lock Washer	
5	PM-5HB	Bolt	
6	PM-6HB	Handle Frame	
	PM-HCA	Handle Assembly	
7	PM-7HB	Roll Pin	
8	PM-8HB	Roll Pin	
9	PM-9HB	Control Lever	
	PM-CLK	Control Linkage Assembly, Includes Items 7,9,10, 12-15	
10	PM-11HB	Control Rod	
11	PM-12HB	Roll Pin	
12		Pin, Chain Link	
13	PM-14HB	Chain	
14	PM-15HB	Ajustment Pin	
15	PM-16HB	Ajustment Nut	
16	PM-17HB	Pin, Pressure Roller	
17	PM-18HB	Pressure Roller	
18	PM-19HB	Roll Pin	
19	PM-20HB	Spring	
20	PM-21HB	Spring Plate	
21	PM-1P	Hub Cap	
22	PM-2P	Snap Ring	
23	PM-3P	Axle	
24	PM-4P	Bearing	
25	PM-5P	Steer Wheel Assembly, Black Poly on Nylon Hub, W/Bearings	
26	PM-6P	Washer	
27	PM-7P	Release Pin	
28	A	PM-8P	O-ring
29	PM-9P	Spring	
30	A	PM-10P	Nylon Washer
31	PM-11P	Srew Plug	
32	A	PM-12P	U-cup

Item	Part No.	Description	
33	A	PM-13P	U-cup
34	A	PM-14P	Wiper
35		PM-15P	Lift Ram
36		PM-16P	Ball
37		PM-17P	Snap Ring
38		PM-18P	Spring Cap
39		PM-19P	Pump Piston
40		PM-20P	Spring
41	A	PM-21P	Wiper
42	A	PM-22P	U-cup
43		PM-23P	Roll Pin
44		PM-24P	Chain Roller
45		PM-25P	Valve Plug
46	A	PM-26P	O-ring
47		PM-27P	Spring
48		PM-28P	Valve Ball
49	A	PM-29P	O-ring
50		PM-30P	Ball
51		PM-31P	Pin
52		PM-32P	Roll Pin
53		PM-33P	Release Lever
54		PM-34P	Pivot Pin
55		PM-35P	Thrust Bearing
56		PM-36P	Snap Ring
57		PM-37P	Hydraulic Pump Assembly, Rebuilt
58		PM-38P	Snap Ring
59		PM-39P	Set Screw
60		PM-41P	Adjustment Bolt
61		PM-42P	Overload Spring
62		PM-43P	Plunger
63		PM-44P	Check Ball
64		PM-45P	Plug Bolt
65		PM-46P	O-ring
Kit A		PM-SK	Seal Kit