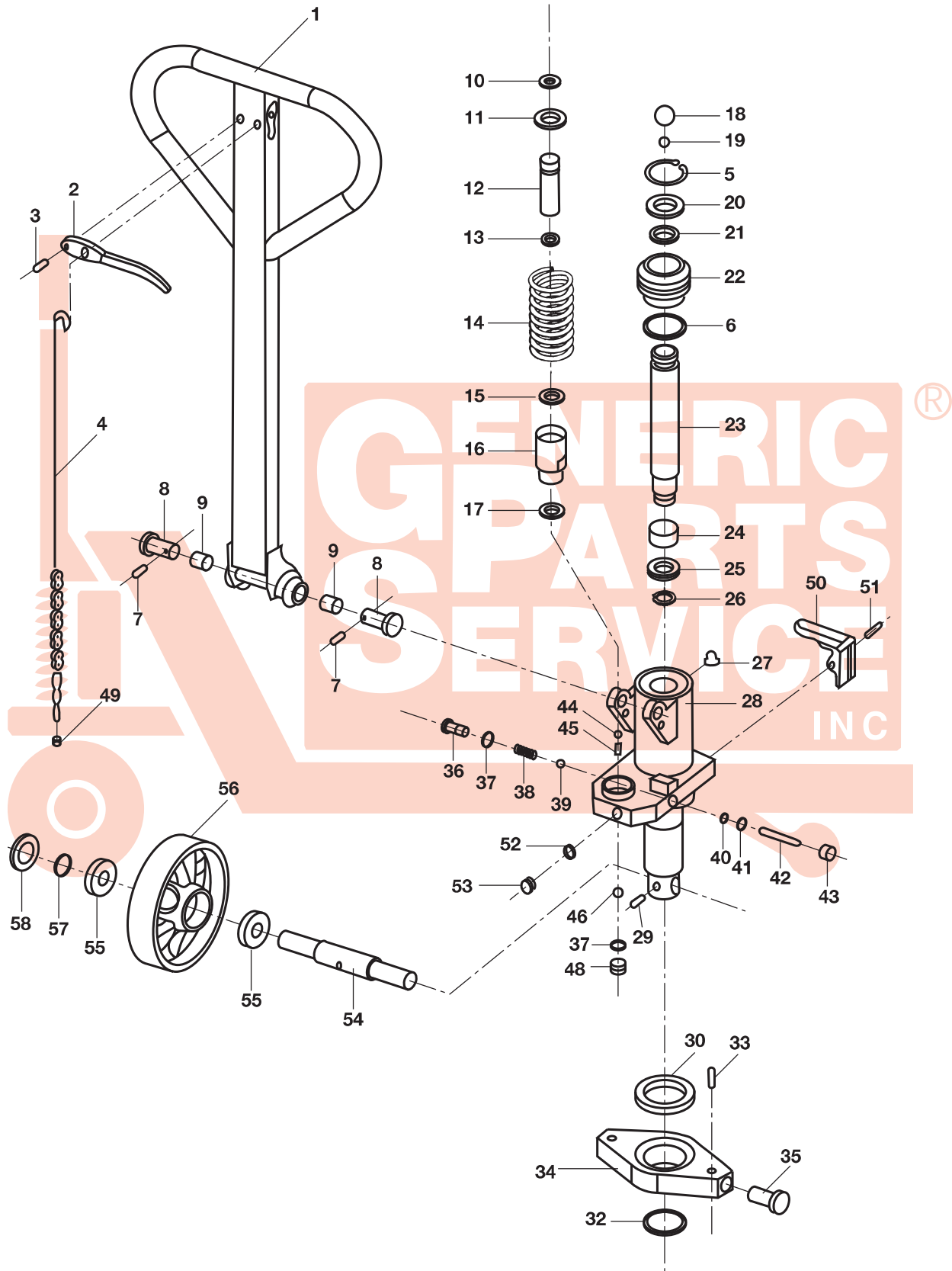


Blue Giant MT-50 Hydraulic Unit



Blue Giant MT-50 Hydraulic Unit

Item	Part No.	Description	List Price
1	906-5006	Handle Assembly	\$99.00
2	904-0149	Release Lever	\$10.00
3	906-0012	Roll Pin	\$0.50
4	904-0151-NEW	Control Rod, Complete W/ Chain	\$23.00
	904-0151-OLD	Control Rod, Complete W/ Chain (27 1/2" Rod, 35 1/4" Overall)	\$18.00
5	906-0025	Locking Ring	\$1.00
6	A 906-0002	O-Ring	\$5.00
7	906-0039	Roll Pin	\$0.50
8	906-0054	Handle Pin	\$5.00
9	906-0057	Bushing	\$2.00
10	906-0072	Circlip	\$4.00
11	906-0027	Washer	\$3.00
12	906-0065	Pump Piston	\$27.00
13	A 906-0026	U-Cup	\$8.00
14	906-0070	Spring	\$20.00
15	A 906-0006	Oil Scraper	\$4.00
16	906-0059	Pump Cylinder	*\$36.00
17	A 906-0007	Copper Washer	\$5.00
18	018-523-99	Ball	\$5.00
19	906-1000	Ball	\$2.50
20	A 906-0005	Oil Scraper	\$5.00
21	A 906-0003	O-Ring	\$2.00
22	906-0058	Top Nut	\$18.00
23	906-0081	Lifting Piston	\$79.00
24	906-0000	Metal Bushing	\$19.00
25	A 906-0051	U-Cup	\$10.00
26	906-0056	Snap Ring	\$0.50
27	906-0037	Oil Plug	\$3.00
28	906-0035	Pump Housing	Not Available
29	906-0071	Roll Pin	\$1.00
30	906-0089	Thrust Bearing	\$12.00
32	906-0093	Circlip	\$4.00

Item	Part No.	Description	List Price
33	906-0049	Roll Pin	\$0.50
34	906-0097	Traverse	\$39.75
35	906-0046	Shoulder Pin	\$6.00
36	906-0062	Collar Screw - Long	\$5.00
37	A 906-0028	Copper Washer	\$5.00
38	906-0036	Valve Spring	\$3.00
39	906-0066	Ball	\$2.00
40	A 906-0011	Quad Ring	\$5.00
41	A 906-0009	U-Cup	\$9.75
42	906-0061	Release Pin	\$5.00
43	906-0060	Valve Screw	\$5.00
44	906-0031	Ball	\$2.00
45	906-0032	Valve Spring	\$5.00
46	906-0067	Ball	\$5.00
48	906-0033	Collar Screw - Short	\$4.00
49	906-0073	Adjusting Nut	\$3.00
50	906-0080	Lowering Valve Arm	Not Available
51	906-0008	Roll Pin	\$0.50
52	A 906-0030	Copper Washer	\$6.50
53	906-0029	Screw	\$3.00
54	906-0077	Steer Wheel Axle	\$18.00
55	906-0075	Bearing	\$5.00
56	906-0078-A-HD	Steer Wheel Assembly, Red Ultra Poly On Aluminum Hub W/ Bearings	\$55.00
	906-0078-A-ST	Steer Wheel Assembly, Black Poly On Nylon Hub W/ Bearings	\$38.00
	904-0154	Steer Wheel Assembly, Nylon W/ Bearings	\$36.00
57	906-0019	Snap Ring	\$0.50
58	906-0055	Hub Cap	\$3.00
KITS	A 906-0102	Complete Seal Kit	\$44.00
	HU BG MT 50	Rebuilt Hydraulic Unit - Exchange	*\$139.00