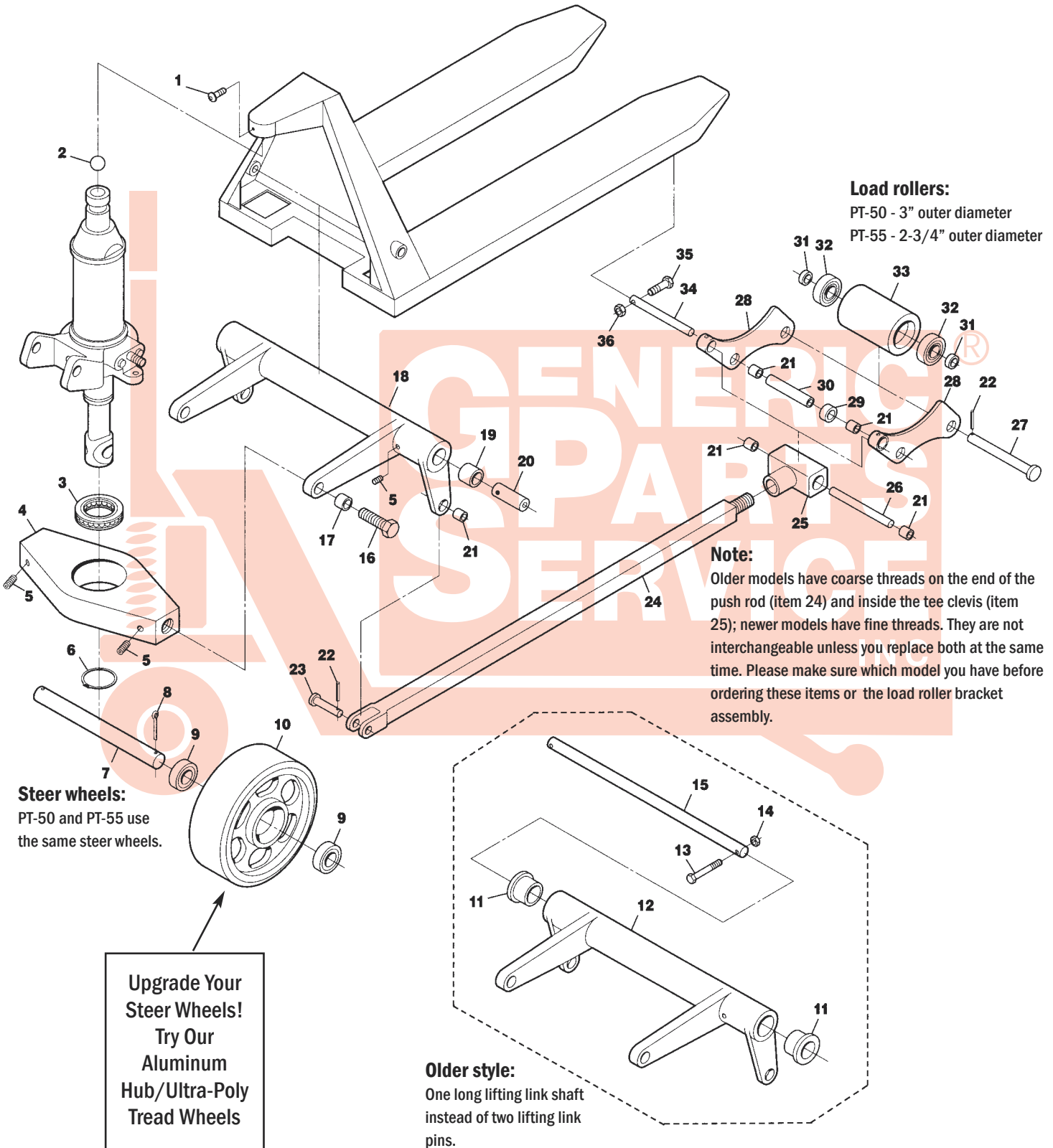


# Blue Giant PT-50 and PT-55 Frame



# Blue Giant PT-50 and PT-55 Frame

| Item | Part No.     | Description  | List Price    |
|------|--------------|--|---------------|
| 1    | 010-054      | Screw  | \$0.50        |
| 2    | 018-523      | Ball   | \$5.00        |
| 3    | 018-516      | Traverse Bearing   | \$14.00       |
| 4    | 780-185      | Traverse Assembly  | Not Available |
| 5    | 014-016      | Set Screw  | \$0.50        |
| 6    | 013-039      | Snap Ring  | \$1.00        |
| 7    | 107-200      | Steer Wheel Axle   | \$12.00       |
| 8    | 013-025      | Cotter Pin   | \$0.50        |
| 9    | 018-557      | Bearing  | \$5.00        |
| 10   | 020-034-A-HD | Steer Wheel Assembly, Red Ultra Poly On Aluminum Hub W/ Bearings (PT-50) | \$55.00       |
|      | 020-034-A-ST | Steer Wheel Assembly, Black Poly On Nylon Hub W/ Bearings (PT-50)        | \$38.00       |
|      | 020-034-N-A  | Steer Wheel Assembly, Nylon W/ Bearings (PT-50)                          | \$36.00       |
|      | 107-238-A    | Steer Wheel Assembly, Steel W/ Bearings (PT-50)                          | \$59.00       |
|      | 300-027-A-HD | Steer Wheel Assembly, Red Ultra Poly On Aluminum Hub W/ Bearings (PT-55) | \$55.00       |
|      | 300-027-A-ST | Steer Wheel Assembly, Black Poly On Nylon Hub W/ Bearings (PT-55)        | \$38.00       |
|      | 300-027-N-A  | Steer Wheel Assembly, Nylon W/ Bearings (PT-55)                          | \$36.00       |
|      | 107-238-A    | Steer Wheel Assembly, Steel W/ Bearings (PT-55)                          | \$59.00       |
| 11   | 018-013      | Bushing (Flanged)  | \$7.00        |
| 12   | 805-842      | Lifting Link, 27" Wide Jack  | Not Available |
| 13   | 010-053      | Bolt   | \$0.50        |
| 14   | 011-552      | Nut  | \$0.50        |
| 15   | 104-055      | Lifting Link Shaft, 20-1/2" Wide Jack                                    | \$18.00       |
|      | 104-057      | Lifting Link Shaft, 27" Wide Jack  | Not Available |
| 16   | 010-064      | Bolt   | \$2.50        |

| Item | Part No.    | Description   | List Price    |
|------|-------------|---|---------------|
| 17   | 018-007     | Bushing   | \$2.00        |
| 18   | 811-074     | Lifting Link, 27" Wide Jack   | Not Available |
| 19   | 018-071     | Bushing   | \$5.00        |
| 20   | 110-046     | Lifting Link Pin  | \$12.00       |
| 21   | 018-001     | Bushing   | \$2.00        |
| 22   | 013-010     | Roll Pin  | \$0.50        |
| 23   | 107-196     | Pin   | \$5.00        |
| 24   | 789-127     | Push Rod, 48" Forks (Fine Thread)   | \$40.00       |
| 25   | 790-426     | Tee Clevis (Fine Thread)  | \$14.00       |
|      | 796-083     | Tee Clevis (Course Thread)  | Not Available |
| 26   | 106-172     | Push Rod Axle   | \$7.50        |
| 27   | 106-170     | Load Roller Axle  | \$8.00        |
| 28   | 805-604     | Load Roller Bracket (Pair, Includes Item 21)  | \$40.00       |
| 29   | 104-054     | Exit Roller   | \$5.00        |
| 30   | 108-330     | Sleeve  | \$5.00        |
| 31   | 106-046     | Split Ring  | \$1.00        |
| 32   | 018-500     | Bearing (OEM Wheel Only)  | \$5.00        |
| 33   | 103-297-A-D | Load Roller Assembly, Red Ultra Poly On Aluminum Hub W/ Bearings, 3" Dia. (PT-50)         | \$38.00       |
|      | 103-297-A   | Load Roller Assembly, Black Ultra Poly On Steel Hub W/ Bearings, 3" Dia. (PT-50)          | \$32.00       |
|      | 103-297-N-A | Load Roller Assembly, Nylon, 3" Dia. (PT-50)  | \$30.00       |
|      | 103-160-A   | Load Roller Assembly, Steel, 3" Dia. (PT-50)  | \$45.00       |
|      | 300-034-A-D | Load Roller Assembly, Red Ultra Poly On Aluminum Hub W/ Bearings, 2-3/4" Diameter (PT-55) | \$38.00       |
|      | 300-034-A   | Load Roller Assembly, Black Ultra Poly On Steel Hub W/ Bearings, 2-3/4" Diameter (PT-55)  | \$32.00       |
| 34   | 106-169     | Pivot Axle  | \$8.00        |
| 35   | 010-087     | Screw   | \$0.50        |
| 36   | 011-545     | Adjusting Nut   | \$0.50        |