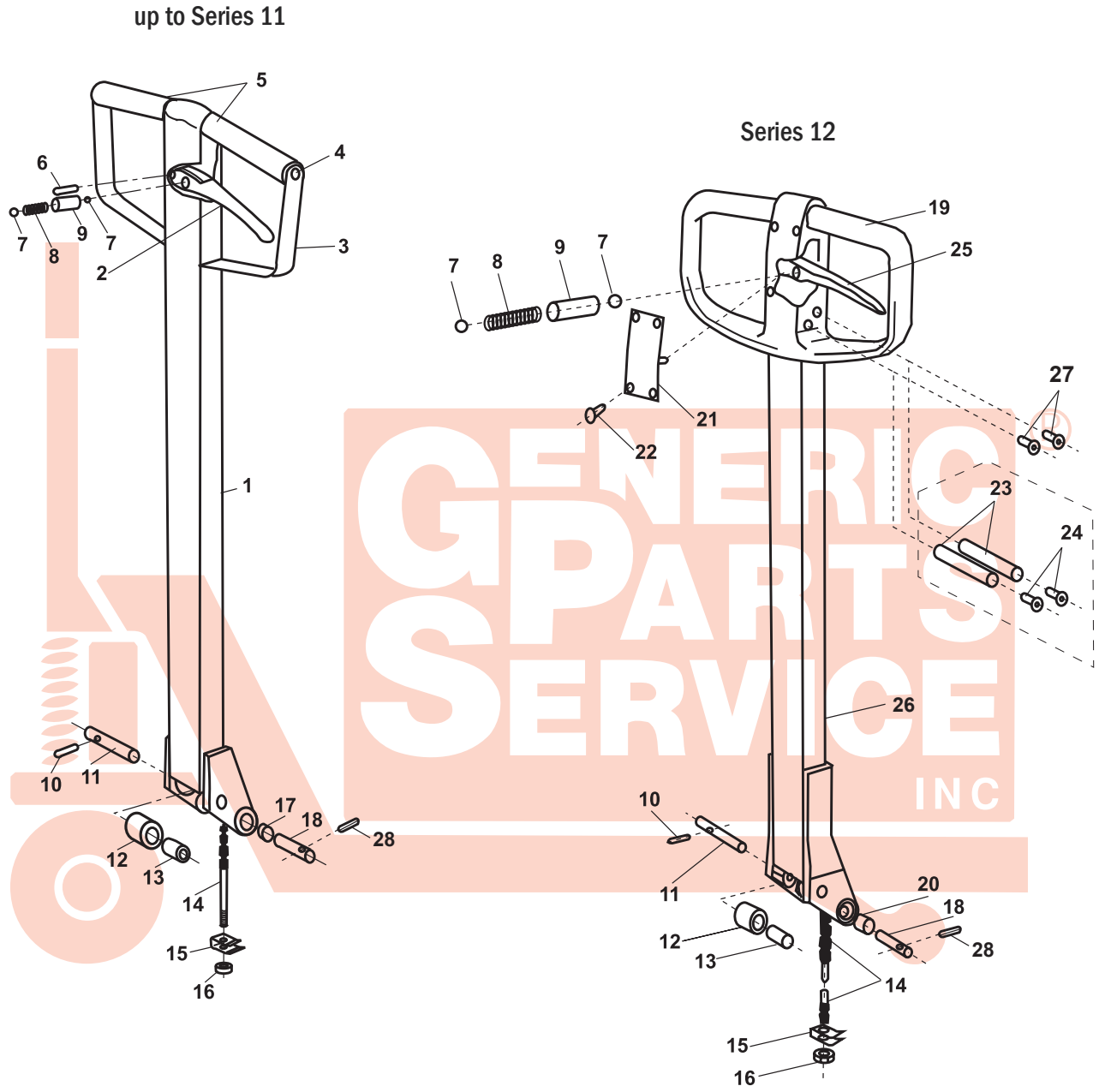


BT L Series Handles





BT L Series Handles

Item	Part No.	Description	List Price
1	17470	Handle Assembly (Includes Items 1 Through 14)	\$99.00
2	47083	Control Lever	\$10.00
3	47082	Clamp	\$12.00
4	24470	Screw	\$0.50
5	47074	Handle Grip	\$4.00
6	20105	Roll Pin	\$0.50
7	22757	Ball	\$2.00
8	47089	Spring	\$1.25
9	54140	Sleeve	\$2.50
10	20461	Roll Pin	\$0.50
11	47930	Pin	\$6.00
12	47929	Roller	\$8.00
13	22108	Bushing	\$2.00
14	17469	Control Rod and Chain Assembly	\$18.00
	17469-A	Master Link	\$3.00
	17469-B	Chain	\$5.00
	17469-C	Pin	\$12.00

Item	Part No.	Description	List Price
15	42631	Spring Clip	\$3.50
16	21094	Adjusting Nut	\$0.50
17	22107	Bushing	\$2.00
18	47931	Handle Pin	\$7.50
19	173752	Handle Loop (Option To Replace W/ Item # 1)	*42.00
20	176827	Bushing	\$3.00
21	173753	Cap	\$12.00
22	177154	Screw	\$0.50
23	176838	Sleeve	\$7.50
24	176914	Screw	\$0.50
25	173754	Control Lever	\$7.00
26	175753	Handle Assembly (Option To Replace W/ Item # 1)	\$139.00
27	173764	Plastic Plug	\$2.00
28	20071	Roll Pin	\$0.50