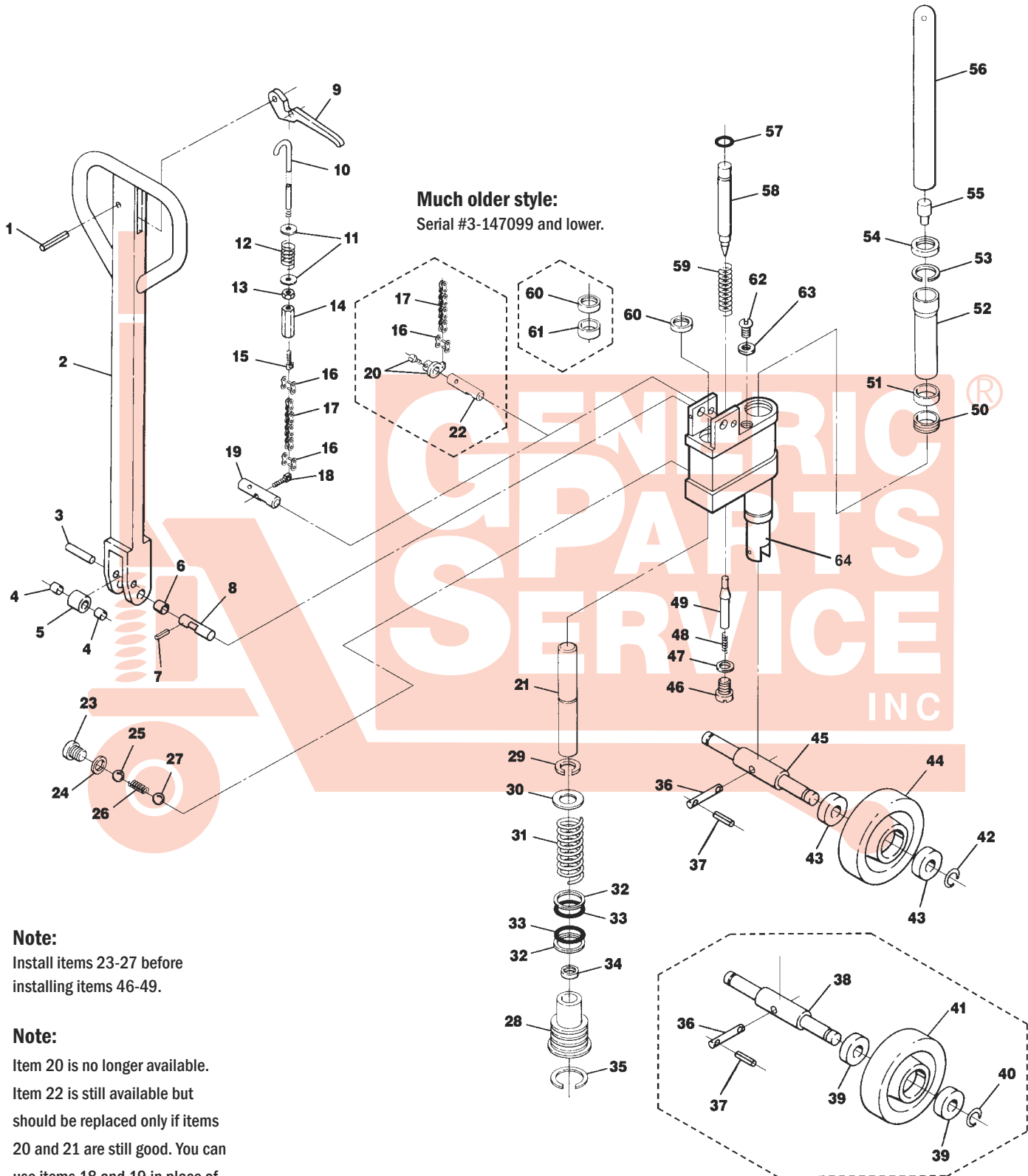


Crown Older PTH Hydraulic Unit

Serial #3-118400 to #3-183849



Note:
 Install items 23-27 before
 installing items 46-49.

Note:
 Item 20 is no longer available.
 Item 22 is still available but
 should be replaced only if items
 20 and 21 are still good. You can
 use items 18 and 19 in place of
 items 20 and 22 without needing
 to replace additional parts.

Much older style:
 25mm bearing ID,
 serial #3-147099 and lower.

Crown Older PTH Hydraulic Unit

Serial #3-118400 to #3-183849

Item	Part No.	Description	List Price	Item	Part No.	Description	List Price	
1	50000-012	Roll Pin	\$0.50	41	82274-1-ST	Steer Wheel Assembly, Black Poly On Nylon Hub W/ Bearings, 25 mm Bearing ID	\$38.00	
2	41182	Handle Assy, (Incl. Items 1-6 and 9-14)	\$99.00		82274-2	Steer Wheel Assembly, Nylon W/ Bearings, 25 mm Bearing ID	\$36.00	
3	41191	Roller Axle	\$5.00		82274-3	Steer Wheel Assembly, Steel W/ Bearings, 25 mm Bearing ID	\$59.00	
4	55017-002	Roller Bearing	\$10.00	42	50012-021	Snap Ring	\$0.50	
5	41192	Roller	\$8.00	43	65081-020	Bearing	\$5.00	
6	41194	Bushing	\$3.00	44	41275-1-HD	Steer Wheel Assembly, Red Ultra Poly On Aluminum Hub W/ Bearings, 20 mm Bearing ID	\$55.00	
7	50000-015	Roll Pin	\$0.50		41275-1-ST	Steer Wheel Assly, Black Poly On Nylon Hub W/ Bearings, 20 mm Bearing ID	\$38.00	
8	41252	Handle Axle	\$12.00		41275-2	Steer Wheel Assembly, Nylon W/Bearings, 20 mm Bearing ID	\$36.00	
9	79873	Control Lever	\$15.00		41275-3	Steer Wheel Assembly, Steel W/ Bearings, 20 mm Bearing ID	\$59.00	
10	41189	Control Rod	\$10.00		GWK-PTH-CK	Complete Wheel Kit, (2) Load Roller Assy, (2) Steer Wheel Assembly W/ Bearings, Axles and Fasteners	\$124.95	
11	41193	Washer	\$0.50	45	41270	Steer Wheel Axle	\$14.00	
12	79918	Spring	\$1.00	46	A 41172	Screw Plug	\$5.00	
13	50008-008	Nut	\$0.50	47	A B 50011-015	Washer	\$1.00	
14	41190	Adjusting Nut	\$5.00	48	A B 79913	Spring	\$1.00	
15	41180	Chain Connector	\$3.00	49	A B 41174	Valve	\$10.00	
16	79905	Master Link	\$2.50	50	A B 41166	Bushing	\$4.00	
17	79904	Chain	\$3.00	51	A B 54015-001	U-Cup	\$7.00	
18	41272	Chain Connector	\$5.00	52	41165	Bushing	\$20.00	
19	41271	Pin	\$10.00	53	A 50012-025	Snap Ring	\$1.00	
20	-	Replace W/ Items 18 & 19	Not Available	54	A B 54001-008	Scraper	\$5.00	
21	A 41996	Piston	\$20.00	55	41254	Magnet and Sleeve Assembly	\$12.00	
	41999	Piston and Cylinder Assembly (Includes Items 25,29,30,31,32)	\$90.00	56	41163	Ram Assembly (Incl Item 55)	\$49.00	
22	41176	Pin	\$5.00	57	A B 54002-011	O-Ring	\$2.00	
23	A 41171	Screw Plug	\$4.00	58	41175	Release Pin	\$28.00	
24	A B 50011-018	Washer	\$1.00	59	A B 79915	Spring	\$1.00	
25	A B 65002-005	Ball	\$2.00	60	A B 54001-002	Scraper	\$3.00	
26	A B 79914	Spring	\$1.00	61	41162	Bushing	\$12.00	
27	A B 65002-007	Ball	\$2.00	62	A 41181	Filler Plug	\$2.00	
28	41995	Pump Cylinder	\$49.00	63	A B 50011-011	Washer	\$0.50	
29	A 50012-021	Snap Ring	\$0.50	64	HU CR PTH-2PC	Rebuilt Hydraulic Unit - Exchange (Serial # 3-118400 to #3-183849)	*\$139.00	
30	41170	Washer	\$3.00					
31	79908	Spring	\$8.00	KITS	A 41246-SUPER	Super Seal Kit	\$49.00	
32	A B 64074-005	Back-Up Ring	\$1.00		KITS	B 41246	Seal Kit	\$29.00
33	A B 54002-012	O-Ring	\$4.00					
34	A B 54015-004	U-Cup	\$5.00					
35	A 50012-026	Snap Ring	\$2.00					
36	41195	Pin	\$7.00					
37	50000-001	Roll Pin	\$0.50					
38	41197	Steer Wheel Axle	\$30.00					
39	65081-021	Bearing	\$5.00					
40	50012-022	Snap Ring	\$0.50					
41	82274-1-HD	Steer Wheel Assembly, Red Ultra Poly On Aluminum Hub W/ Bearings, 25 mm Bearing ID	\$55.00					

*Non-discounting item

Prices subject to change without notice. All manufacturers' names, part numbers and descriptions are used for reference purposes only. We do not imply that any parts are the products of a particular manufacturer. Copyright © 2008 by GPS, Inc. All rights reserved.