

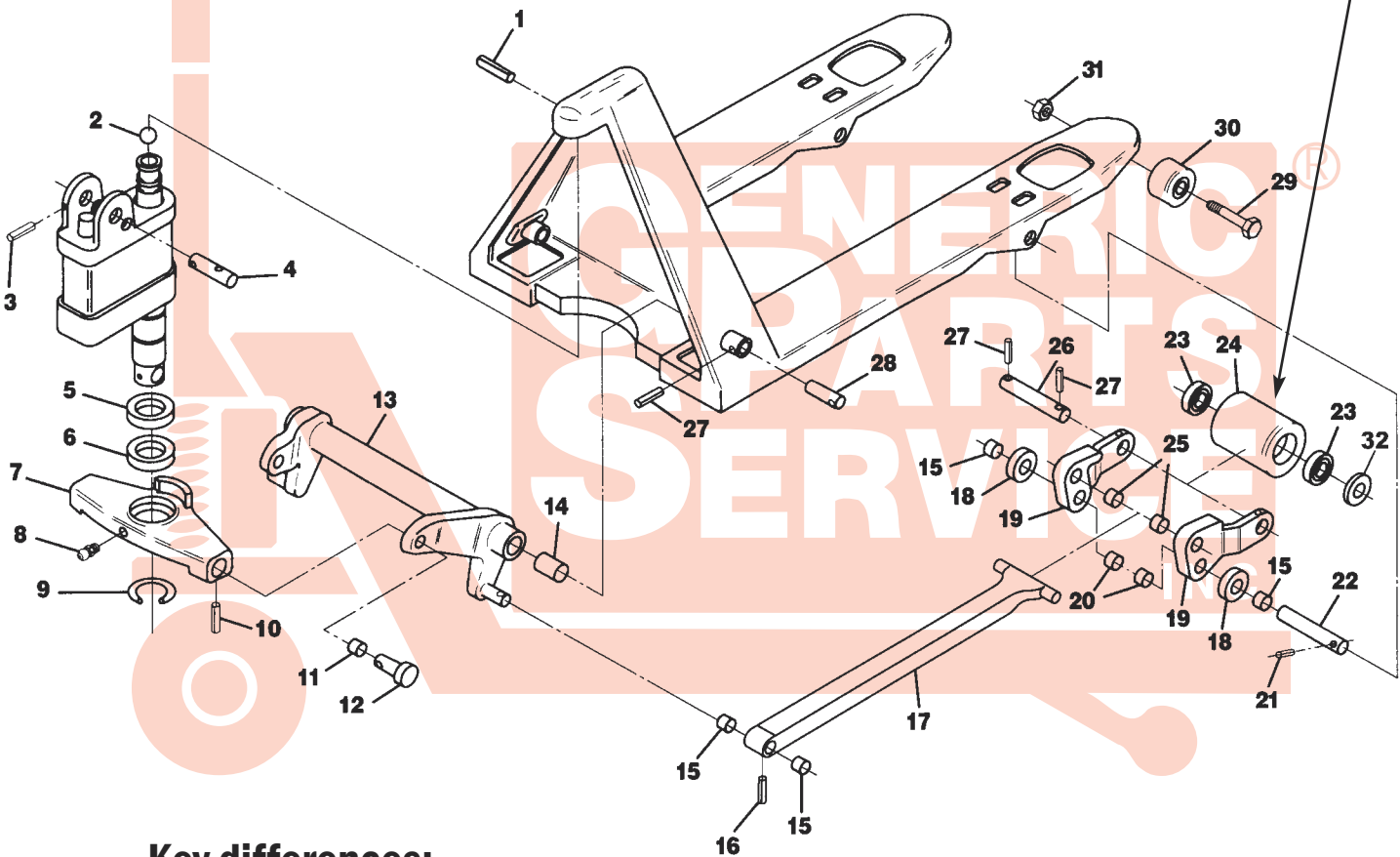
Crown PTH50 Frame

Serial #7-000000 to Serial #7-512501

Serial #7-000000 and higher

Upgraded Load Rollers Available!

Ultra-poly is a poly that is very hard, but won't shatter like nylon. Ultra-poly is easier to roll than regular poly and is non-marking!



Key differences:

Push rods -

PTH has ears, PTH50 has no ears.

Lifting link -

PTH pins (item 20 on page 54) are removable, PTH50 pins are welded.

Load rollers -

PTH - 3-1/4" diameter,
PTH50 - 3" diameter.

Traverse -

PTH has long ears, PTH50 has a lip and short, heavy-duty ears.

Roll Pins Crown Roll Pin Kits

Contain enough roll pins to repair two newer style Crown PTH pallet jacks.

Crown PTH50 Frame

Serial #7-000000 to Serial #7-512501

Item	Part No.	Description	List Price
1	50000-014	Roll Pin	\$0.50
2	55001-010	Ball	\$2.00
3	50000-015	Roll Pin	\$0.50
4	44519	Handle Axle	\$12.00
5	44468	Washer	\$10.00
6	55018-001	Traverse Bearing	\$12.00
7	44466	Traverse	*\$49.00
8	54011-001	Lube Fitting	\$1.00
9	50012-024	Snap Ring	\$1.00
10	50000-010	Roll Pin	\$0.50
11	41201	Bushing	\$2.00
12	44467	Pin	\$8.50
13	44472	Lifting Link, 20" Wide Jack	Special Order
	44473	Lifting Link, 27" Wide Jack	\$59.00
14	55084-002	Bushing	\$2.00
15	42053-011	Bushing	\$2.00
16	50000-016	Roll Pin	\$0.50
17	44488-002	Push Rod, 36" Forks	*\$40.00
	44488-004	Push Rod, 42" Forks	Special Order
	44488-006	Push Rod, 48" Forks (Incl Item 15)	\$40.00
18	44777	Exit Roller	\$3.50
19	44501	Load Roller Bracket (Pair) (Incl Item 20 & 25)	\$38.00
20	42053-012	Bushing	\$2.00

Item	Part No.	Description	List Price
21	50000-011	Roll Pin	\$0.50
22	44464	Pivot Axle	\$6.50
23	65081-020	Bearing	\$5.00
24	44506-001-D	Load Roller Assembly, Red Ultra Poly On Aluminum Hub W/ Bearings	\$38.00
	44506-001	Load Roller Assembly, Black Ultra Poly On Steel Hub W/ Bearings	\$32.00
	44506-002	Load Roller Assembly, Nylon W/ Bearings	\$30.00
	44506-003	Load Roller Assembly, Steel W/ Bearings	\$45.00
	GWK-PTH50-LW	Load Wheel Kit, Incl. (2) Load Roller Assy W/ Bearings, Axles and Fasteners	\$74.95
	GWK-PTH50-CK	Complete Wheel Kit, Incl. (2) Load Roller Assembly, (2) Steer Wheel Assemblies, Axles and Fasteners	\$124.95
25	41139	Bushing	\$2.00
26	44509	Load Roller Axle	\$8.00
27	50000-017	Roll Pin	\$0.50
28	44463	Lifting Link Pin	\$8.00
29	50007-023	Bolt	\$1.00
30	44461	Entry Roller	\$4.00
31	50008-025	Nut	\$0.50
32	44516	Washer	\$0.50
KITS	RPK50	Roll Pin Kit	\$10.00

Load Wheel Kit

