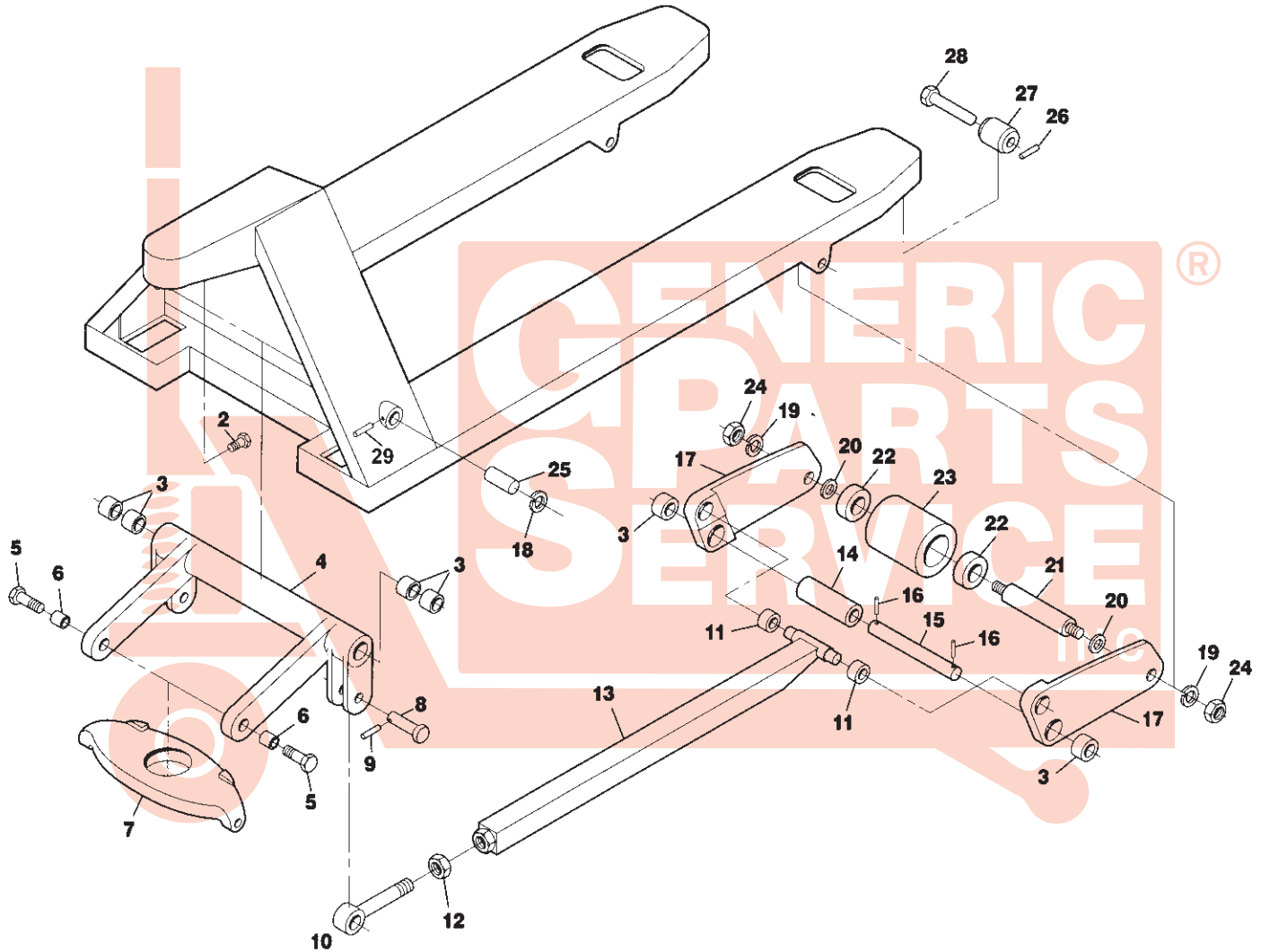


Eagleman A Frame



Eagleman A Frame

Item	Part No.	Description	List Price
2	A102	Lock Bolt	\$ 0.80
3	A103	Bushing	1.80
4	A104	Torsion Tube	60.00
5	A105	Shoulder Bolt	8.00
6	A106	Bushing	2.00
7	A107	Traverse	40.00
8	A108-New	Pin	2.00
9	A109-New	Cotter Pin	0.50
10	A110	Eye Bolt with Bushing	8.00
11	A111	Bushing	2.00
12	A112	Lock Nut	2.00
13	A113	Push Rod, 48" Forks	45.00
14	A114	Exit Roller	6.00
15	A115	Pivot Axle	8.00
16	A116	Roll Pin	0.50
17	A117	L/R Bracket (Pair, Includes Bushing)	40.00
18	A118	Snap Ring	0.80
19	A119	Lock Washer	0.50

Item	Part No.	Description	List Price
20	A120	Washer	\$ 0.50
21	A121	Load Shaft	10.00
22	A122	Bearing	5.00
23	A123-B	Load Roller Assembly, Red Ultra Poly On Aluminum Hub W/ Bearings, 3" Dia.	38.00
	A123-A	Load Roller Assembly, Black Ultra Poly On Steel Hub W/ Bearings, 3" Dia.	32.00
	A123-C	Load Roller Assembly, Nylon W/ Bearings, 3" Dia.	30.00
	A123-D	Load Roller Assembly, Steel W/ Bearings, 3" Dia.	42.00
24	A124	Lock Nut	0.60
25	A125	Pin	3.80
26	A126	Cotter Pin	0.50
27	A127	Entry Roller	4.80
28	A128	Entry Roller Shaft	3.00
29	A190	Roll Pin	0.50

**1% Off
Online Orders**
1% Off Online Orders



24-Hour Online Ordering
www.GenericParts.com

Online orders received by 3:00pm Pacific Time (Monday - Friday) will be confirmed and shipped the same day. Orders placed online receive 1% off the net price of the order.