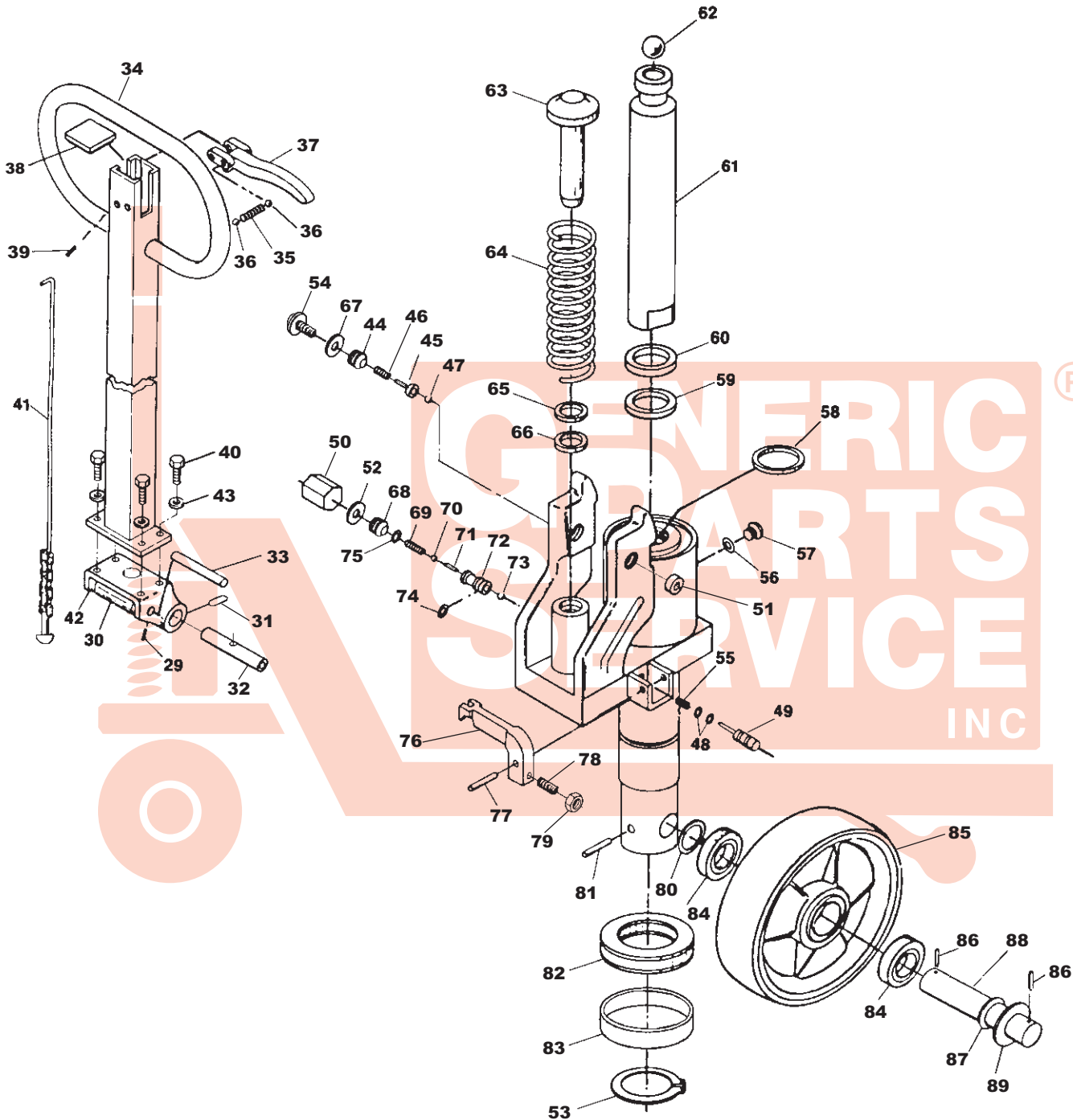


Eagleman A Hydraulic Unit



Eagleman A Hydraulic Unit

Item	Part No.	Description	List Price
29	A129	Pin	\$ 0.50
30	A130	Roller	6.00
31	A131	Roll Pin	0.50
32	A132	Handle Axle	8.00
33	A133	Roller Pin	7.00
34	A134	Handle Frame	49.00
	A194	Handle Assembly	79.00
35	A135	Spring	2.00
36	A136	Ball	1.50
37	A137	Control Lever	18.00
38	A138	Cap	3.00
39	A139	Roll Pin	0.50
40	A140	Bolt	1.00
41	A141	Rod and Chain (Orange Jack)	10.00
	A141-New	Rod and Chain (Grey Jack)	10.00
42	A142	Bracket	40.00
43	A143	Lock Washer	0.50
44 C	A144	Plug	See Kits
45 C	A145	Overload Valve	See Kits
46 C	A146	Spring	See Kits
47 C	A147	Ball	See Kits
48	A148	O-Ring	1.00
49	A149	Release Valve	10.00
50	A150	Nut	6.00
51	A151	Bushing	3.00
52 B	A152	Washer	See Kits
53	A153	Snap Ring	2.80
54	A154	Plug Bolt	3.40
55	A155	Spring	1.60
56	A156	O-Ring	1.00
57	A157	Filler Screw	1.00
58 A	A158	Top Seal	See Kits
59 A	A159	Bottom Seal	See Kits
60 A	A160	Wiper	See Kits
61	A161	Lift Piston	48.00
62	A162	Ball	2.00
63	A163	Piston	24.00
64	A164	Spring	8.00

Item	Part No.	Description	List Price
65 A	A165	Wiper	See Kits
66 A	A166	Seal	See Kits
67 C	A167	O-Ring	See Kits
68 B	A168	Plug Bolt	See Kits
69 B	A169	Spring	See Kits
70 B	A170	Ball	See Kits
71 B	A171	Pin	See Kits
72 B	A172	Valve	See Kits
73 B	A173	Ball	See Kits
74 B	A174	O-Ring	See Kits
75 B	A175	O-Ring	See Kits
76	A176	Release Valve Lever	\$ 16.00
77	A177	Roll Pin	0.50
78	A178	Adjust Screw	1.00
79	A179	Lock Nut	0.50
80	A180	Washer	1.00
81	A181	Roll Pin	1.00
82	A182	Thrust Bearing	20.00
83	A183	Bearing Holder	14.00
84	A184	Bearing	5.00
85	A185-A	Steer Wheel Assembly, Red Ultra Poly On Aluminum Hub W/ Bearings, 8" Dia.	55.00
	A185-B	Steer Wheel Assembly, Poly On Nylon Hub W/ Bearings, 8" Dia.	38.00
	A185-C	Steer Wheel Assembly, Nylon W/ Bearings, 8" Dia.	36.00
	A185-D	Steer Wheel Assembly, Steel W/ Bearings, 8" Dia.	59.00
86	A186	Roll Pin	0.50
87	A187	Washer	2.00
88	A188	Steer Wheel Axle	10.00
89	A189	Washer	3.00
KITS A	A191	Seal Kit	32.00
KITS B	A192	Valve Kit	20.00
KITS C	A193	Overload Kit	18.00
	HU EA A195	Rebuilt Hydraulic Unit - Exchange	*129.00

Seal Kits Seal Kits

Kit parts are discounted to offer maximum savings. They also include a parts breakdown, troubleshooting guide and rebuilding suggestions.

*Non-discounting item
Prices subject to change without notice. All manufacturers' names, part numbers and descriptions are used for reference purposes only. We do not imply that any parts are the products of a particular manufacturer. Copyright © 2007 by GPS, Inc. All rights reserved.