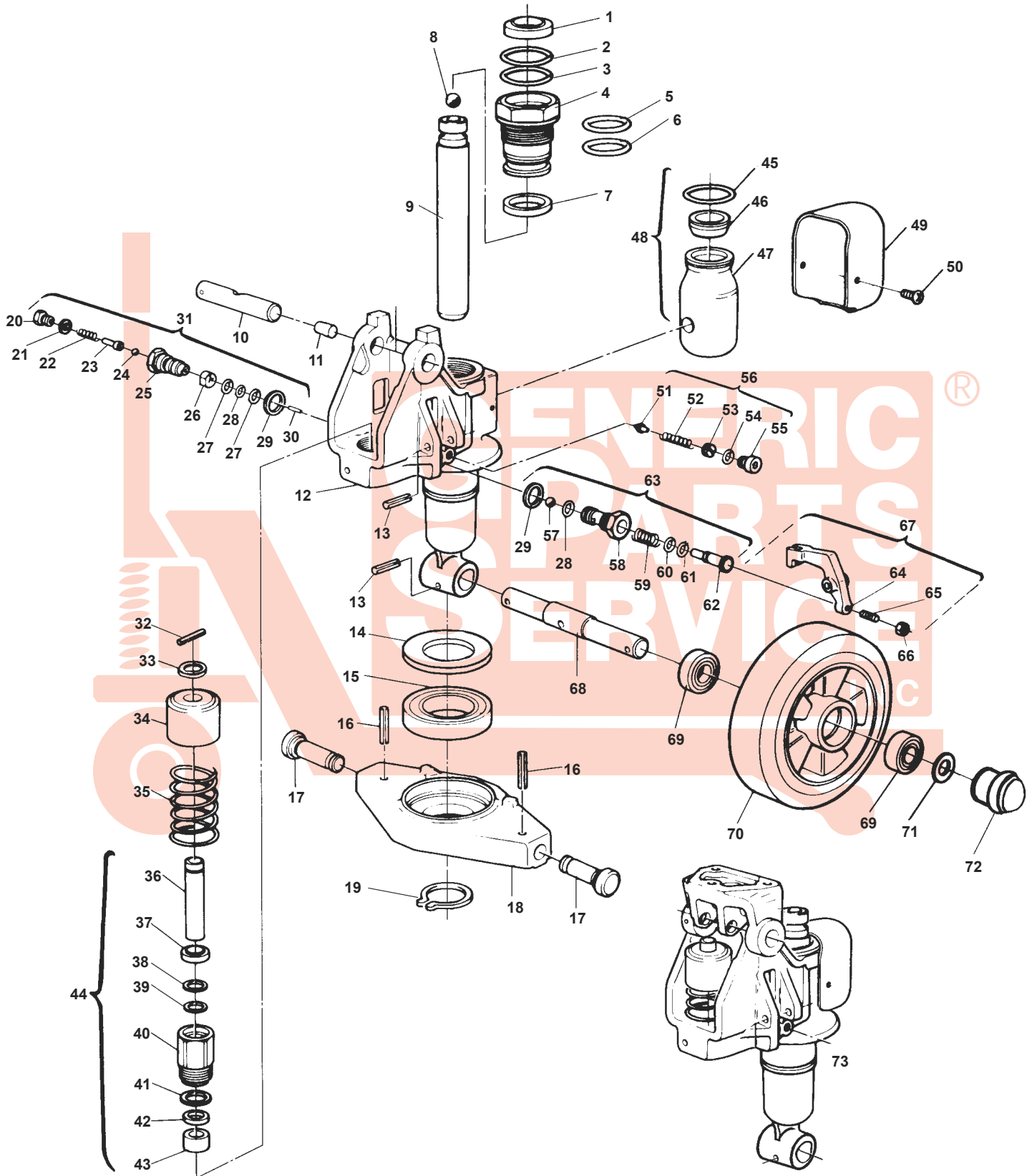


# Hu-Lift HP25L Hydraulic Unit



# Hu-Lift HP25L Hydraulic Unit

Item	Part No.	Description	List Price
1	A 156	Scraper	\$5.00
2	170	Retainer	\$5.00
3	A 157	O-Ring	\$2.00
4	159H	Top Nut	\$24.00
5	A 157-1	O-Ring	\$2.00
6	A 158H	O-Ring	\$2.00
7	A 160H	U-Cup	\$6.00
8	101	Ball	\$3.00
9	102	Ram	\$49.00
10	109	Handle Pin	\$12.00
11	120	Bushing	\$1.00
12	122H	Pump Body	\$89.00
13	121	Roll Pin	\$0.50
14	123	Dust Cover	\$8.00
15	124	Bearing	\$12.00
16	154	Roll Pin	\$0.50
17	155	Shoulder Pin Set	\$18.00
18	153	Traverse	\$49.00
	153-A	Traverse Assembly, Incl. Item 15 & 18	\$59.00
19	152	Snap Ring	\$2.00
20	110	Screw Plug	\$8.00
21	A 111	Washer	\$2.00
22	112	Spring	\$3.00
23	113	Spring Guide	\$4.00
24	114	Ball	\$2.00
25	115	Valve Body	\$24.00
26	116	Spring	\$3.00
27	166	Retainer	\$4.00
28	A 117	O-Ring	\$2.00
29	A 118	Washer	\$3.00
30	119	Valve Pin	\$1.50
31	115-A	Valve Assembly	\$36.00
32	142	Roll Pin	\$0.50
33	143	Retaining Cover	\$7.00
34	144	Spring Cap	\$12.00
	144-A	Spring Cap Assy Incl. Item 34 & 35	\$19.00
35	145	Spring	\$10.00
36	146	Piston	\$36.00
37	A 147	Scraper	\$5.50
38	168	Retainer	\$5.00
39	A 169	O-Ring	\$4.00
40	148	Pump Cylinder	\$18.00
41	A 149	U-Cup	\$5.00

Item	Part No.	Description	List Price
42	150	Nylon Bushing	\$5.00
43	A 151	Washer	\$4.00
44	146-A	Pump Piston Assembly	\$49.00
45	A 161H	O-Ring	\$3.00
46	162H	Filler Plug	\$8.00
47	165H	Reservoir	\$18.00
48	165H-A	Reservoir Assembly ( Incl. 45,46,47 & Pint of Oil)	\$20.00
49	163H	Cowling	\$8.00
	163H-A	Cowling Assembly ( Incl. 49 & 50)	\$8.25
50	164H	Screw	\$0.50
51	134	Valve	\$12.00
52	135	Spring	\$3.00
53	136	Adjusting Screw	\$3.00
54	A 137	O-Ring	\$2.00
55	138	Screw	\$4.00
56	138-A	Safety Valve Assembly	\$20.00
57	129	Ball	\$1.00
58	130	Release Valve Body	\$29.00
59	131	Spring	\$2.00
60	A 132	O-Ring	\$2.00
61	167	Retainer	\$5.00
62	133	Release Pin	\$6.00
63	130-A	Plunger Assembly	\$40.00
64	139H	Release Lever	\$12.00
65	140H	Adjusting Screw	\$1.00
66	141	Nut	\$0.50
67	139H-A	Activator (Incl. Items 64-66)	\$15.00
68	125	Steer Wheel Axle	\$12.00
69	126	Bearing	\$5.00
70	127-A-HD	Steer Wheel Assembly, Ultra Poly On Aluminum Hub W/ Bearings, 7" Dia.	\$55.00
	127-A-ST	Steer Wheel Assembly, Poly On Nylon Hub W/ Bearings, 7" Dia.	\$38.00
	127-A-N	Steer Wheel Assembly, Nylon W/ Bearings, 7" Dia.	\$36.00
71	128	Snap Ring	\$0.50
72	171	Dust Cover	\$3.00
73	100-AM	Hydraulic Unit, New After-Market Replacement	*\$129.00
	HU HL100	Rebuilt Hydraulic Unit - Exchange	*\$139.00
KITS	A 99	Seal Kit	\$28.00