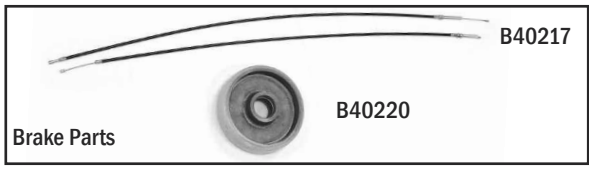
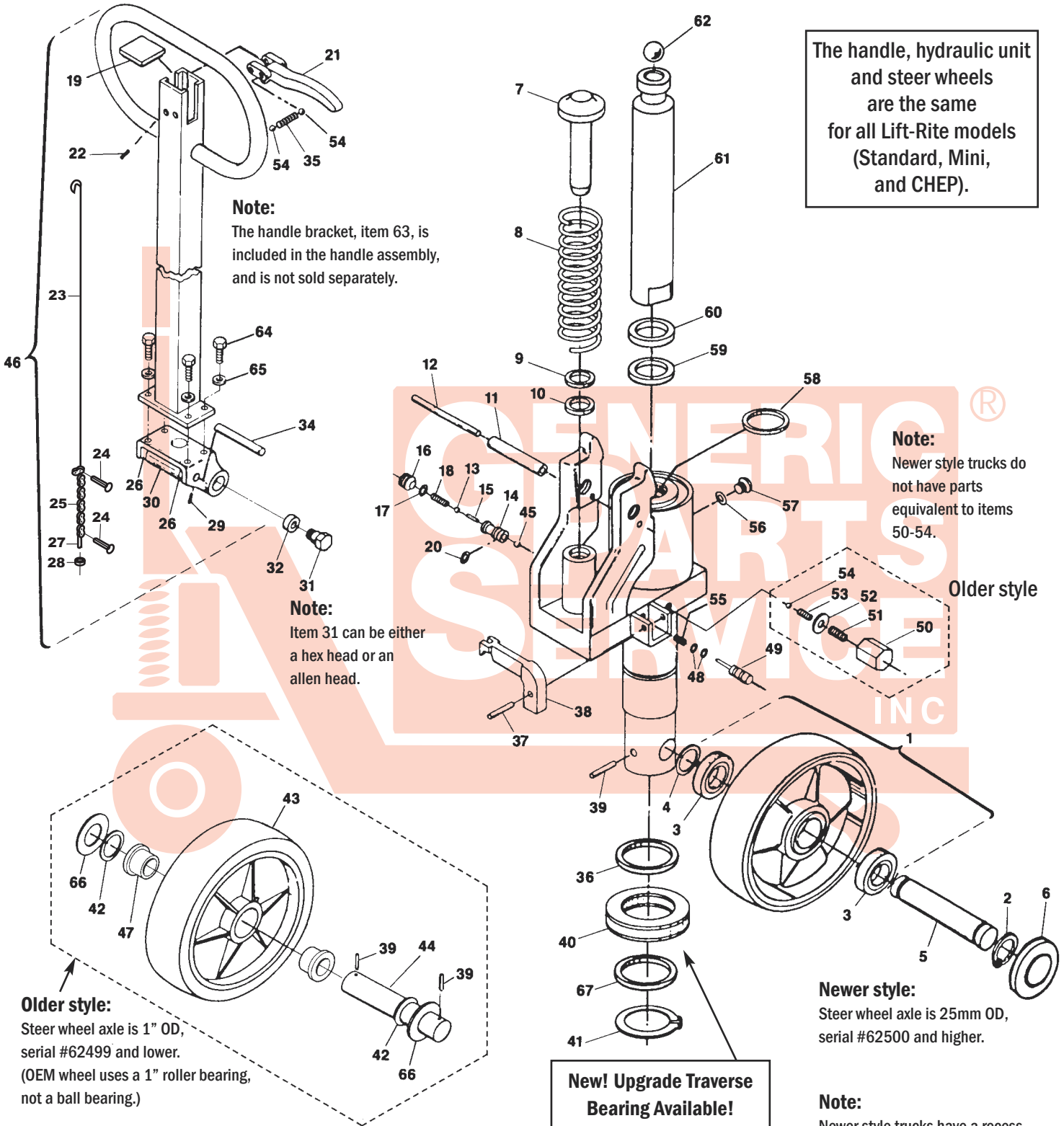


Lift-Rite (Big Joe) L-50 Hydraulic Unit



Lift-Rite (Big Joe) L-50 Hydraulic Unit

Item	Part No.	Description	List Price
1	10236-B-A-HD	Steer Wheel Assy, Red Ultra Poly On Alum. Hub W/Bearings, 25mm Bearing ID	\$55.00
	10236-B-A-ST	Steer Wheel Assembly, Poly On Nylon Hub W/ Bearings, 25mm Bearing ID	\$38.00
	10236-B-N-A	Steer Wheel Assembly, Nylon W/ Bearings, 25mm Bearing ID	\$36.00
	10236-B-S-A	Steer Wheel Assembly, Steel W/ Bearings, 25mm Bearing ID	\$59.00
	GWK-L50-CK	Comp. Wheel Kit, Incl (2) LR Assy, (2) SW Assy W/ Bearings, Axles, Fasteners	\$124.95
2	10237	Snap Ring	\$0.50
3	10238-B	Ball Bearing (OEM Wheel Only)	\$5.00
4	10239	Washer	\$1.00
5	10240-E	Steer Wheel Axle, 25mm OD	\$12.00
6	10236-C	Hub Cap	\$7.50
7	10250	Pump Piston Assembly	\$24.00
8	10253	Spring	\$12.00
9	A B 10251	Scraper	\$5.00
10	A B 10252	U-Cup	\$12.00
11	10277-B	Sleeve	\$5.00
12	10277-A	Roll Pin	\$0.50
13	A B C 10261	Ball	\$2.00
14	A C 10262	Valve	\$12.00
15	A C 10263	Roll Pin	\$0.50
16	A C 10266	Screw Plug	\$5.00
17	A B 10265	O-Ring	\$1.00
18	A C 10264	Spring	\$1.00
19	10274-E	Handle Cap	\$3.00
20	A B 10256	O-Ring	\$3.00
21	10274-B	Control Lever	\$18.00
22	10274-D	Roll Pin	\$0.50
23	10274-A	Control Rod	\$17.00
24	10273	Pin	\$1.50
25	10272	Chain	\$7.00
26	10206	Bushing	\$2.00
27	10270	Lower Control Rod	\$10.00
28	10271	Adjusting Nut	\$0.50
29	10274-S	Roll Pin	\$0.50
30	10274-R	Roller	\$10.00
31	10275	Shoulder Bolt (Hex Head)	\$6.50
	10275-A	Shoulder Bolt (Allen Head)	\$6.00
32	10203	Bushing	\$2.00
	10203-A	Bushing	\$2.00
34	10274-P	Pin	\$6.00
35	10274-C	Spring	\$3.00
36	10233	Spacer	\$8.00

Item	Part No.	Description	List Price
37	10269	Roll Pin	\$0.50
38	10268	Release Lever	\$18.00
39	10242	Roll Pin	\$0.50
40	10234	Thrust Bearing	\$12.00
	10234-HD	Heavy DutyThrust Bearing (Newer Style)	\$32.00
41	10235	Snap Ring	\$1.00
42	10239	Washer	\$1.00
43	10236-R-A-HD	Steer Wheel Assy, Red Ultra Poly On Alum. Hub W/Bearings, 1" Bearing ID	\$55.00
	10236-R-A-ST	Steer Wheel Assembly, Black Poly On Nylon Hub W/ Bearings, 1" Bearing ID	\$38.00
	10236-R-N-A	Steer Wheel Assembly, Nylon W/ Bearings, 1" Bearing ID	\$36.00
44	10240	Steer Wheel Axle, 8" Length, 1" OD (for Roller Bearing)	\$12.00
45	A B C 10261	Ball	\$2.00
45	A B C 10261-A	Ball	\$1.00
46	10276-A	Handle Assembly	\$99.00
47	10238-A	Flanged Bearing	\$5.00
	10238-R	Roller Bearing (For OEM Wheel Only)	\$6.00
48	A B 10259	O-Ring	\$1.00
49	A C 10260	Release Pin	\$12.00
50	10257	Nut	\$5.00
51	10257-B	Screw	\$1.00
52	A 10257-A	Washer	\$3.00
53	A C 10255	Spring	\$5.00
54	A B C 10254	Ball	\$1.50
55	A C 10258	Spring	\$2.00
56	A B 10259-A	Washer	\$2.00
57	10267	Filler Plug	\$1.00
58	A B 10246	U-Cup	\$12.00
59	A B 10249	U-Cup	\$17.00
60	A B 10245	Scraper	\$5.00
61	10243	Ram	*49.00
62	10244	Ball	\$2.50
64	10274-F	Bolt	\$1.00
65	10274-G	Lock Washer	\$0.50
66	10241	Washer	\$2.00
67	10234-A	Washer	\$5.00
KITS A	10278-SUPER	Super Seal Kit	\$49.00
KITS B	10278	Seal Kit	\$39.00
KITS C	10279	Seal Kit (Ball and Valve Kit)	\$19.00
	HU LF L50	Rebuilt Hydraulic Unit - Exchange	*139.00
	B40217	Brake Cable Assembly	\$40.00
	B40220	Brake Wheel	*80.00

*Non-discounting item
Prices subject to change without notice. All manufacturers' names, part numbers and descriptions are used for reference purposes only.
We do not imply that any parts are the products of a particular manufacturer. Copyright © 2008 by GPS, Inc. All rights reserved.