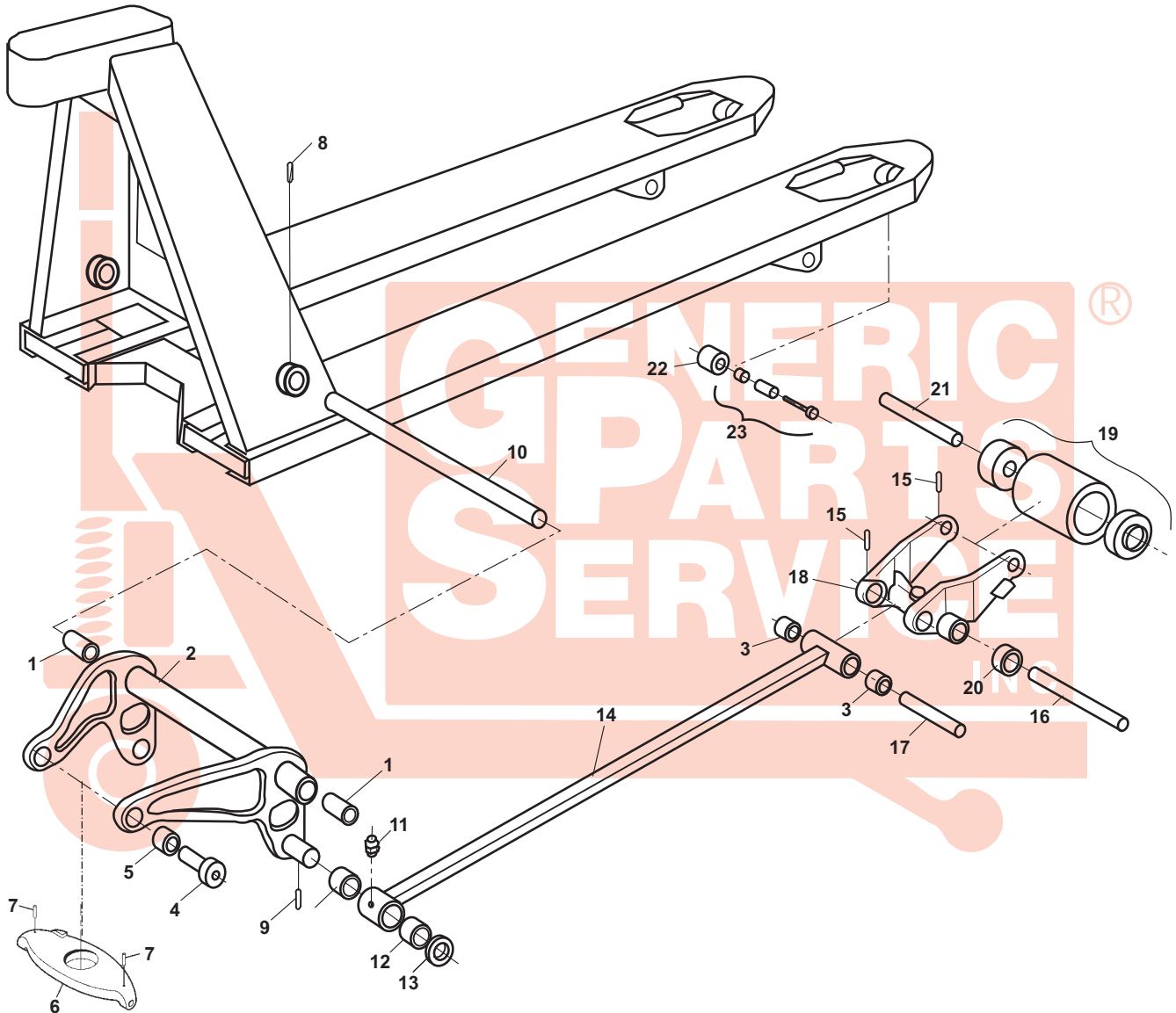


Lift-Rite (Big Joe) LRP 5000 Frame



Lift-Rite (Big Joe) LRP 5000 Frame

Item	Part No.	Description	List Price
1	PL90503A	Bushing	\$3.00
2	PL90802B	Lifting Link, 20.5" Wide Jack	Special Order
	PL90802A	Lifting Link, 27" Wide Jack	\$79.00
3	PL90525A	Bushing	\$1.00
4	PL10207	Shoulder Pin	\$8.00
5	PL90806	Bushing	\$3.00
6	PL20231	Traverse	\$49.00
7	PL10205	Split Pin	\$0.50
8	PL90569E	Roll Pin	\$0.50
9	PL90569D	Roll Pin	\$0.50
10	PL90504A	Axle For Torsion Tube, 27" Wide Jack	\$18.00
	PL90504B	Axle For Torsion Tube, 20.5" Wide Jack	Special Order
11	PL10236PRES	Lube Fitting	\$0.50
12	PL90526A	Bushing	\$1.00
13	PL90527A	Washer	\$0.50
14	PL90524x36	Push Rod, 36" Fork Length	Special Order
	PL90524x42	Push Rod, 42" Fork Length	Special Order
	PL90524x48	Push Rod, 48" Fork Length	\$40.00

Item	Part No.	Description	List Price
15	PL90569F	Roll Pin	\$0.50
16	PL90519	Axle	\$8.50
17	PL90525B	Axle	\$8.00
18	PL90512	Load Roller Bracket W/ Bushings	\$40.00
19	PL20210P-B-D	Load Roller Assembly, Red Ultra Poly On Aluminum Hub W/ Bearings	\$38.00
	PL20210P-B	Load Roller Assembly, Black Ultra Poly On Steel Hub W/ Bearings	\$32.00
	PL20210N-B	Load Roller Assembly, Nylon W/ Bearings	\$30.00
	PL20210S-B	Load Roller Assembly, Steel W/ Bearings	\$45.00
	GWK-LRP-LW	Load Wheel Kit, Incl. (2) Poly Load Roller Assembly W/ Bearings, Axles and Fasteners	\$74.95
20	PL90520	Steel Exit Roller	\$10.00
21	PL90515	Axle	\$8.50
22	PL10281	Entry Roller	\$5.00
23	PL10285	Axle Assembly W/ Sleeve and Nut	\$3.00

Load Wheel Kit

