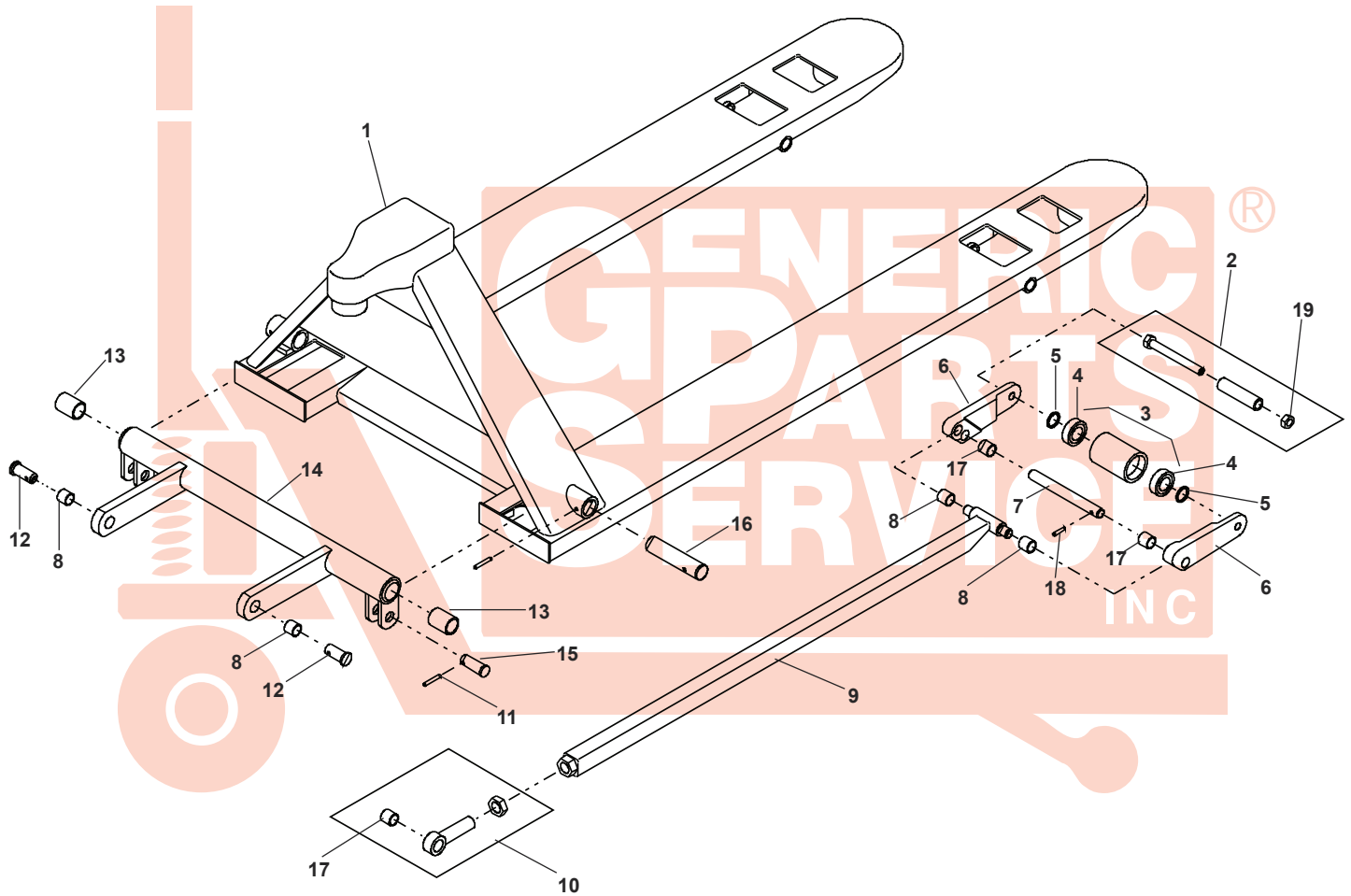


# Lift-Rite Titan Series Frame

Models LCM50, LCU50, LCM4W & LCU4W



# Lift-Rite Titan Series Frame

Models LCM50, LCU50, LCM4W & LCU4W

Item	Part No.	Description
1	PM30200	Chassis, LCM50 2" Low Pro
	PM30200U	Chassis, LCU 1.75" Ultra Low Pro
	PF30200	Chassis LCM4W 2" LH (Specify Length & Width)
	PF3200U	Chassis LCU4W 1.75" LH (Specify Length & Width)
2	PM10215	Axle Assy
3	PM10210S-B	Steel Wheel Assy 2" Low Pro
	PM10210P-B	Polyurethane Wheel Assy 2" Low Pro
	PM10210U-B	Steel Wheel Assy 1.75" LCM50 & LCU4W
4	PM10214S	Bearings
5	PL10216	Spacer Washer
6	PM30212	Bracket Assy, LCM50 & LCM4W
	PM30212U	Bracket Assy, LCU50 & LCU4W
7	PM10219	Pin
8	PL20206	Bushing
9	PM20224X-36	Push Rod LCM & LCM4W
	PM20224X-42	Push Rod LCM & LCM4W
	PM20224X-48	Push Rod LCM & LCM4W

Item	Part No.	Description
	PM20224X-36U	Push Rod LCU & LCM4W
	PM20224X-42U	Push Rod LCU & LCM4W
	PM20224X-48U	Push Rod LCU & LCM4W
10	PL20226	Eye Bolt
11	PL20269	Split Pin
12	PL30207	Shoulder Pin
13	PL20203A	Bushing
14	PM30201	Torsion Bar (LCM50 & LCU50 20.5" wide)
	PM30202	Torsion Bar (LCM50 & LCU50 27" wide)
	PF30203	Torsion Bar 33" wide LCM4W & LCU4W
15	PL20227	Shoulder Pin
16	PL20204	Bulkhead Pin
17	PL20226A	Bushing
18	PM20269	Spit Pin
19	PL10218	Lock Nut

## Load Wheel Kit

GWK-LCU-L50

