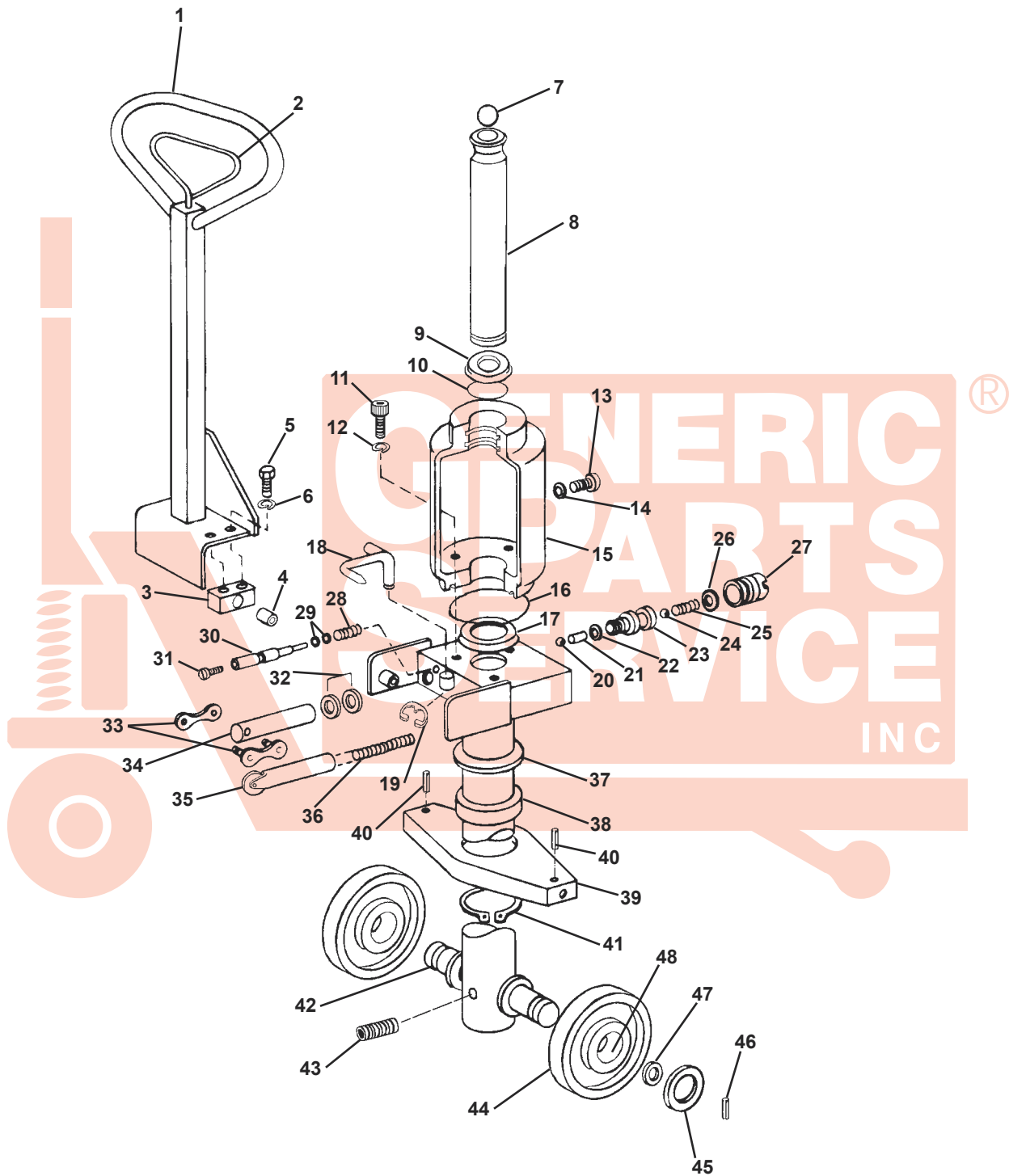


Magnum (Intrupa) 5000 Hydraulic Unit



Magnum (Intrupa) 5000 Hydraulic Unit

Item	Part No.	Description	List Price
1	105	Handle Assembly	*125.00
2	106	Control Lever	Not Available
3	107	Bearing Block	\$2.00
4	108	Bushing	\$2.00
5	109	Screw and Washer	\$1.00
6	110	Lock Washer	\$0.50
7	111	Ball	\$2.50
8	112	Ram	\$60.00
9	A B 114	Scraper	\$5.00
10	A B 115	O-Ring	\$6.00
11	117	Screw	\$0.50
12	117-1	Lock Washer	\$0.50
13	118	Screw Plug	\$1.00
14	A B 123	O-Ring	\$1.00
15	113	Tank Reservoir	*30.00
16	A B 116	O-Ring	\$6.00
17	A B 131	Seal	\$12.00
18	120	Valve Pin	*\$21.00
19	A 121	Locking Ring	\$1.00
20	A B 132	Ball	\$2.00
21	A 133	Roll Pin	\$0.50
22	A B 123	O-Ring	\$1.00
23	A 135	Valve	\$18.00
24	A B 136	Ball	\$1.50
25	A B 137	Spring	\$3.00
26	A B 138	O-Ring	\$1.00
27	A 139	Screw Plug	\$5.00
28	A B 122	Spring	\$2.00
29	A B 123	O-Ring	\$1.00
30	A 124	Valve Pin	\$12.00
31	A 125	Adjusting Screw	\$3.00
32	A B 126	Quad Ring	\$10.00

Item	Part No.	Description	List Price
33	A 128	Master Link	\$6.00
34	A 127	Pump Piston	\$28.00
35	129	Plunger	\$18.00
36	A 130	Spring	\$17.00
37	141	Spacer	\$12.00
38	142	Traverse Bearing	\$14.00
39	143	Traverse	Not Available
40	542A	Roll Pin	\$0.50
41	144	Snap Ring	\$1.00
42	145	Axle	\$10.00
43	146	Screw	\$0.50
44	148-A-HD	Steer Wheel Assembly, Red Ultra Poly On Aluminum Hub W/ Bearings	\$55.00
	148-A-ST	Steer Wheel Assembly, Poly On Nylon Hub W/ Bearings	\$38.00
	147-A	Steer Wheel Assembly, Nylon W/ Bearings	\$36.00
	149-A	Steer Wheel Assembly, Steel W/ Bearings	\$59.00
	148-HD	Steer Wheel Assy, Red Ultra Poly On Aluminum Hub W/ OEM Style Bearings	\$55.00
45	151	Washer	\$0.50
46	152	Roll Pin	\$0.50
47	151-1	Bearing Retaining Washer	\$1.00
	151-2	Bearing Retaining Washer (Wet Application)	\$1.00
48	150	Bearing	\$5.00
KITS	A 153-SUPER	Super Seal Kit	\$49.00
KITS	B 153	Seal Kit	\$32.00
HU	HU MG 5000	Rebuilt Hydraulic Unit - Exchange	*139.00