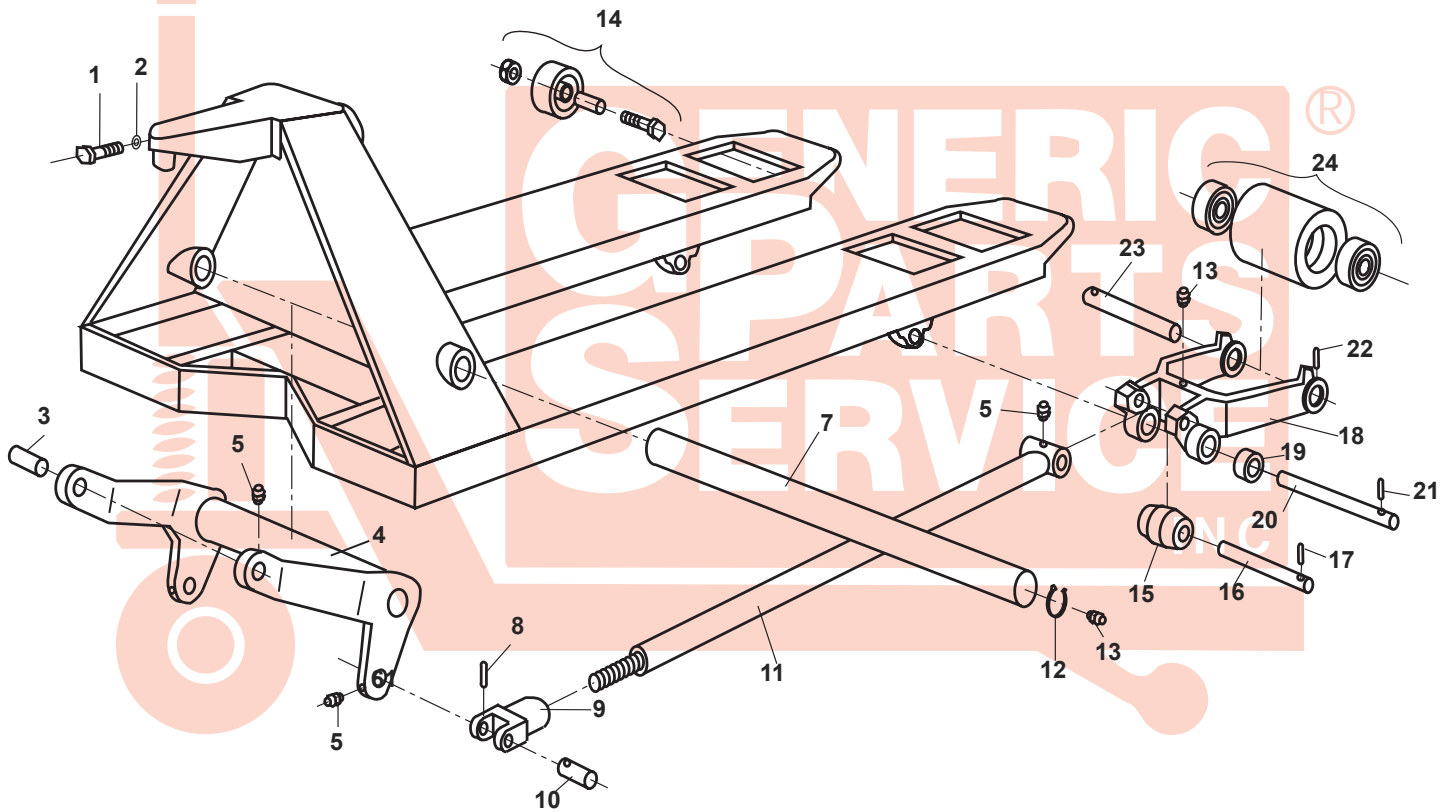


Mighty Lift 5500 Frame



Mighty Lift 5500 Frame

Item	Part No.	Description	List Price
1	B42	Bolt	\$0.50
2	B41	Lube Fitting	\$0.50
3	B14	Pin	\$3.00
4	B43	Lifting Link, 27" Wide Jack	*49.00
5	B22	Lube Fitting	\$1.00
7	B20	Lifting Link Shaft, 27" Wide Jack	\$20.00
8	B16	Roll Pin	\$0.50
9	B17	Rod Fitting	\$10.00
10	B18	Pin	\$3.00
11	B19	Push Rod	\$40.00
12	B21	Retaining Ring	\$1.00
13	B15	Lube Fitting	\$0.50
14	B36A	Entry Roller, Axle, Sleeve, Nut Assembly	\$8.00
15	B23	Exit Roller	\$3.00
16	B25	Shaft	\$8.00

Item	Part No.	Description	List Price
17	B24	Roll Pin	\$0.50
18	B31	Load Roller Bracket W/ Bushings	\$24.00
19	B28	Exit Roller	\$3.00
20	B26	Shaft	\$8.50
21	B27	Roll Pin	\$0.50
22	B30	Roll Pin	\$0.50
23	B29	Shaft	\$8.00
24	B35	Load Roller Assembly, Black Ultra Poly On Steel Hub W/ Bearings	\$32.00
	B35-N	Load Roller Assembly, Nylon W/ Bearings	\$30.00
	B35-S	Load Roller Assembly, Steel W/ Bearings	\$45.00
	GWK-BF-LW	Load Wheel Kit, Incl. (2) Poly Load Roller Assy W/ Bearings, Axles and Fasteners	\$74.95
	B45	Tandem Load Roller Wheel Assembly	\$25.00

Load Wheel Kit

