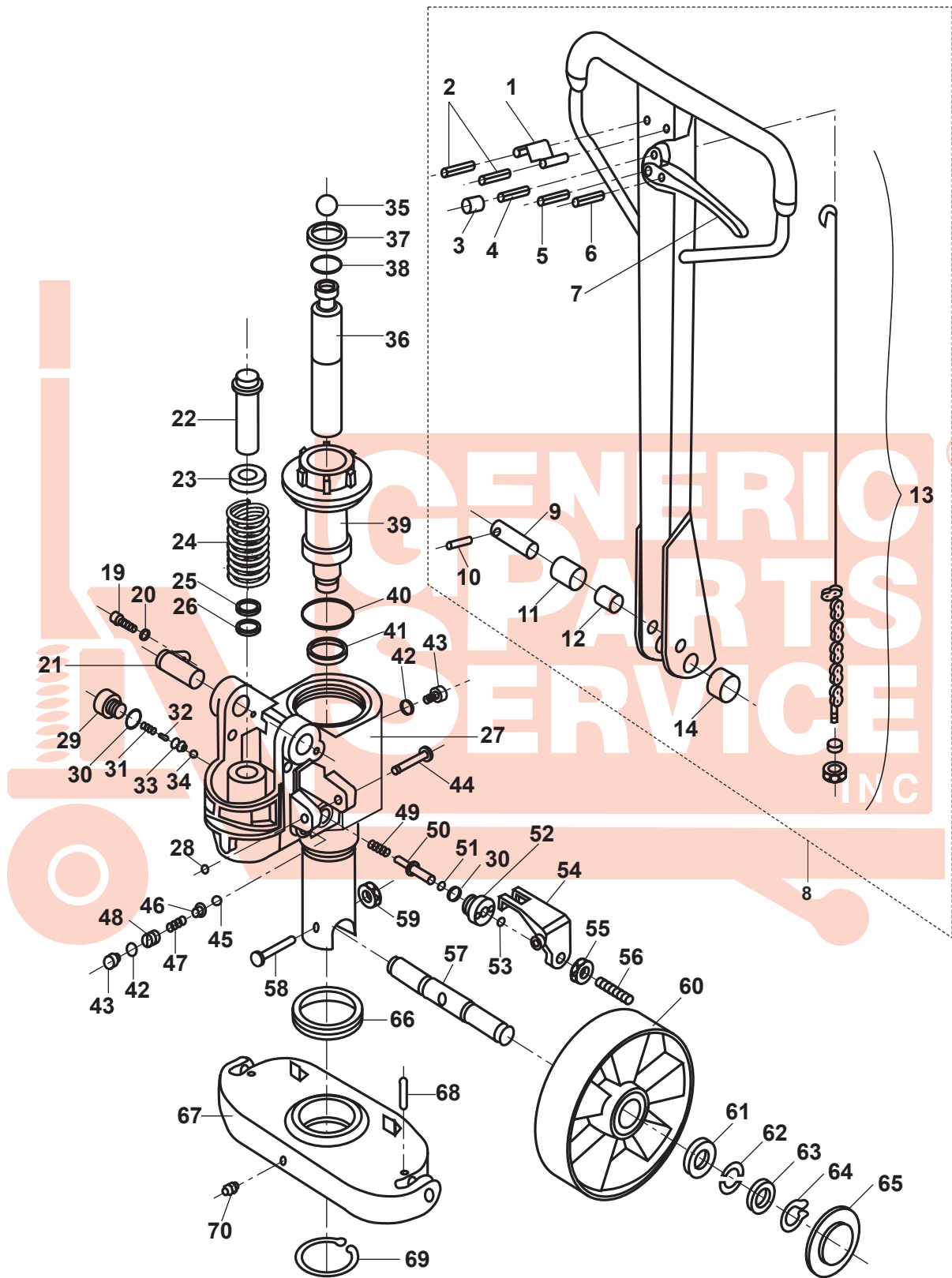


Mobile ECO I-55 Hydraulic Unit



Mobile ECO I-55 Hydraulic Unit

Item	Part No.	Description	List Price
1	12E101	Control Handle Spring	\$1.00
2	12E102	Roll Pin	\$0.50
3	12E103	Control Handle Roller	\$1.00
4	12E104	Roll Pin	\$0.50
5	12E105	Roll Pin	\$0.50
6	12E106	Roll Pin	\$0.50
7	12E107	Control Lever	\$8.00
8	120E1	Handle Assembly	\$79.00
9	12E109	Handle Pin	\$3.00
10	12E110	Roll Pin	\$0.50
11	12E111	Handle Pressure Roller	\$4.00
12	12E112	Handle Pin Bushing	\$2.00
13	12E113-A	Control Handle Rod Assembly	\$23.00
14	12E114	Handle Bushing	\$2.00
19	12E117	Screw	\$0.50
20	12E153	Lock Washer	\$0.50
21	12E118	Handle Pivot Pin	\$7.00
22	12E147	Pump Piston	\$14.00
23	12E148	Washer	\$3.00
24	12E149	Handle Return Spring	\$8.00
25	A 12E150	Wiper	\$5.00
26	A 12E151	U-Cup	\$10.00
27	120E0	New Replacement Pump	*\$129.00
	HU MO ECO I-55	Rebuilt Pump Assembly-Exchange	*\$139.00
28	12E154	Retaining Ring	\$0.50
29	12E119	Screw Plug	\$5.00
30	A 12E120	Copper Washer	\$1.00
31	12E121	Spring	\$1.00
32	12E122	Damping Valve Spindle	\$3.00
33	12E123	Damping Valve Seat	\$2.00
34	12E124	Ball	\$1.50
35	12E146	Ball	\$2.50
36	12E152	Lift Piston	*\$39.00
37	A 12E145	Wiper	\$9.00
38	A 12E144	O-Ring	\$2.00
39	12E143	Cylinder Cap	\$29.00
40	A 12E142	O-Ring	\$3.00
41	A 12E141	U-Cup	\$12.00
42	A 12E126	Copper Washer	\$1.00
43	12E127	Bolt	\$3.00
44	12E140	Lever Plate Bolt	\$2.00
45	12E139	Ball, Valve	\$2.00
46	12E138	Ball Valve Seat	\$5.00
47	12E137	Spring	\$3.00

Item	Part No.	Description	List Price
48	12E136	Bolt	\$2.00
49	12E128	Spring	\$2.00
50	12E129	Strike Pin	\$5.00
51	A 12E130	O-Ring	\$2.00
52	12E131	Sleeve	\$5.00
53	A 12E132	O-Ring	\$1.00
54	12E135	Lever Plate	\$10.00
55	12E134	Nut	\$0.50
56	12E133	Adjusting Screw	\$1.00
57	120E2	Steer Wheel Axle	\$12.00
58	120E3	Steer Axle Bolt	\$1.00
59	120E44	Steer Axle Nut	\$0.50
60	120E8-A-HD	Steer Wheel Assembly, Red Ultra Poly On Aluminum Hub W/ Bearings	\$55.00
	MO 120E8-A-ST	Steer Wheel Assembly, Poly On Nylon Hub W/ Bearings	\$38.00
	120E8N-A	Steer Wheel Assembly, Nylon W/ Bearings	\$36.00
	120E8S-A	Steer Wheel Assembly, Steel W/ Bearings	\$59.00
	GWK-ECO-CK	Complete Wheel Kit, Incl. (2) Load Rollers, (2) Steer Wheels W/ Bearings, Axles and Fasteners	\$124.95
61	120E9	Bearing	\$5.00
62	120E10	Locking Ring, Half Round	\$0.50
63	120E11	Lock Ring Cover	\$0.50
64	120E12	Locking Ring	\$0.50
65	120E13	Hub Cap	\$2.00
66	120E4	Thrust Bearing	\$20.00
67	120E5	Thrust Plate	\$49.00
68	120E6	Roll Pin	\$0.50
69	120E7	Locking Ring	\$0.50
70	120E41	Lube Fitting	\$0.50
KITS	A 12E155	Seal Kit	\$32.00

Complete Wheel Kit



*Non-discounting item

Prices subject to change without notice. All manufacturers' names, part numbers and descriptions are used for reference purposes only. We do not imply that any parts are the products of a particular manufacturer. Copyright © 2008 by GPS, Inc. All rights reserved.