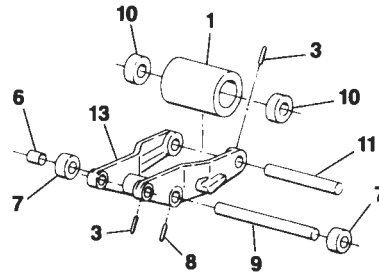


Mobile ML55 Frame

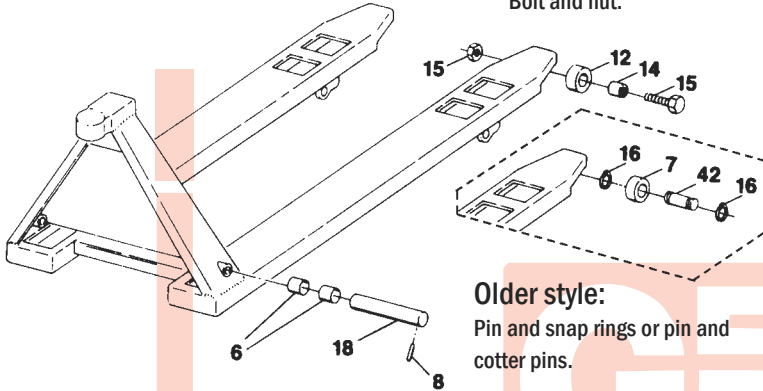
Before you order:

The manufacturer has made several random changes that require you to look very closely at these drawings and your pallet jack. Check our notes to identify the parts you need.

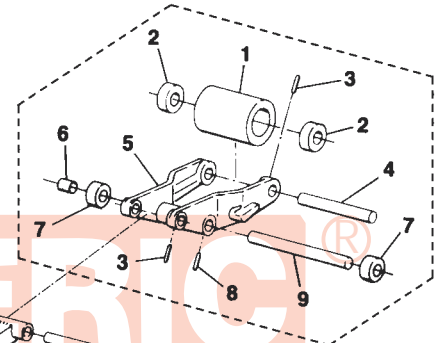


Newer style:
Bearing ID is
20mm = .787"

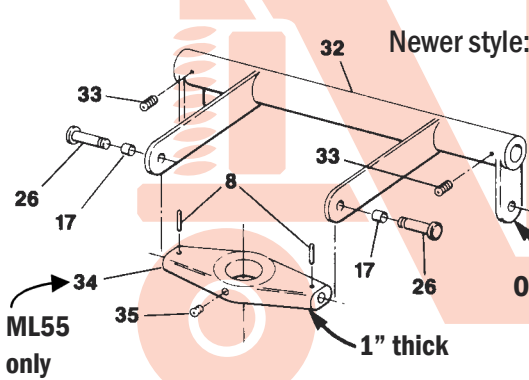
Newer style:
Bolt and nut.



Older style:
Pin and snap rings or pin and
cotter pins.



Older style:
Bearing ID is 3/4" = .750"



Newer style:

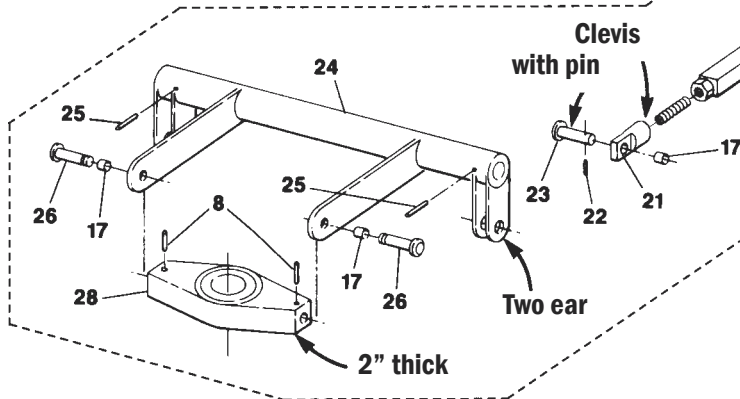
ML55
only

1" thick

One ear

Note:
The load roller bracket, item 8,
is no longer available from the
OEM. Replace item 5 with item
13 (20mm bearing ID).

Older style:



Clevis
with pin

Two ear

2" thick

Newer style:
Bearing ID is
20mm = .787"

Older style:
Bearing ID is 3/4" = .750"

Mobile ML55 Frame

| Item | Part No. | Description | List Price |
|------|---------------|--|---------------|
| 1 | 203/210-A-D | Load Roller Assembly, Red Ultra Poly On Aluminum Hub W/ Bearings, 3/4" ID Bearing | \$38.00 |
| | 203/210-A | Load Roller Assembly, Black Ultra Poly On Steel Hub W/ Bearings, 3/4" ID Bearing | \$32.00 |
| | 204/210-A | Load Roller Assembly, Nylon W/ Bearings, 3/4" ID Bearing | \$30.00 |
| | 200/210-A | Load Roller Assembly, Steel W/ Bearings, 3/4" ID Bearing | \$45.00 |
| | 203/210-1-A | Load Roller Assembly, Red Ultra Poly On Aluminum Hub W/ Bearings, 20mm ID Bearings | \$38.00 |
| | 203/210-1-A-S | Load Roller Assembly, Black Ultra Poly On Steel Hub W/ Bearings, 20mm ID Bearings | \$32.00 |
| | 204/210-1-A | Load Roller Assembly, Nylon W/ Bearings, 20mm ID Bearing | \$30.00 |
| | 200/210-1-A | Load Roller Assembly, Steel W/ Bearings, 20mm ID Bearing | \$45.00 |
| | GWK-ML55-LW | Load Wheel Kit, Incl. (2) Load Roller Assy W/ Bearings, Axles and Fasteners | \$74.95 |
| | 203M-A | Load Roller Assembly, Black Ultra Poly On Steel Hub W/ Bearings, 2" Diameter | \$32.00 |
| | M200-S-A | Load Roller Assembly, Steel W/ Bearings, 2" Diameter | \$45.00 |
| 2 | 210 | Bearing, 3/4" ID | \$5.00 |
| 3 | 404 | Roll Pin | \$0.50 |
| 4 | 211 | Load Roller Axle | \$8.00 |
| 5 | 400 | Load Roller Bracket, Replace W/ Item 13 | Not Available |
| 6 | 610 | Bushing | \$2.00 |
| 7 | 402 | Entry or Exit Roller | \$5.00 |
| 8 | 609 | Roll Pin | \$0.50 |
| 9 | 214 | Pivot Axle | \$8.00 |
| 10 | 210-1 | Bearing | \$5.00 |
| 11 | 211-1 | Load Roller Axle | \$8.00 |
| 12 | 300 | Entry Roller | \$5.00 |
| 13 | 400-1 | Load Roller Bracket (Newer Style) | \$40.00 |
| 14 | 311 | Bushing | \$3.00 |
| 15 | 310 | Bolt and Nut | \$1.00 |
| 16 | 2050 | Snap Ring | \$1.00 |
| | 303 | Cotter Pin | \$0.50 |
| 17 | 606 | Bushing | \$2.00 |
| 18 | 611 | Lifting Link Shaft (Older Style) | \$12.00 |
| | 611-1 | Lifting Link Shaft (Newer Style) | \$8.00 |

| Item | Part No. | Description | List Price |
|------|----------------|---|---------------|
| 19 | 515 | Push Rod Axle | \$8.00 |
| 20 | 500 | Push Rod, 36" Forks | Special Order |
| | 501 | Push Rod, 42" Forks | Special Order |
| | 502 | Push Rod, 48" Forks | \$40.00 |
| 21 | 520 | Clevis | \$22.00 |
| 22 | 404 | Roll Pin | \$0.50 |
| 23 | 512 | Pin | \$6.00 |
| 24 | 650 | Lifting Link, 20-1/2" Wide Jack | Special Order |
| | 651 | Lifting Link, 27" Wide Jack | Special Order |
| 25 | 612 | Roll Pin | \$0.50 |
| 26 | 605 | Shoulder Pin | \$6.00 |
| 28 | 2009 | Traverse | Not Available |
| 29 | 505 | Push Rod, 48" Forks (Newer Style) | \$49.00 |
| 30 | 526 | Bolt, Nut and Washer | \$1.00 |
| 31 | 525 | Eccentric | \$10.00 |
| 32 | 655 | Lifting Link, 20-1/2" Wide Jack | Special Order |
| | 656 | Lifting Link, 27" Wide Jack | Special Order |
| 33 | 2053 | Set Screw | \$0.50 |
| 34 | 657 | Traverse (ML 55 Only) | Special Order |
| 35 | 658 | Grease Fitting | \$1.00 |
| 36 | 2050 | Snap Ring | \$1.00 |
| 37 | 103 | Washer | \$0.50 |
| 38 | 101/210-A-HD | Steer Wheel Assembly, Red Ultra Poly On Aluminum Hub W/ Bearings, 3/4" ID Bearing | \$55.00 |
| | 101/210-A-ST | Steer Wheel Assembly, Poly On Nylon Hub W/ Bearings, 3/4" ID Bearing | \$38.00 |
| | 100/210-A | Steer Wheel Assembly, Steel W/ Bearings, 3/4" ID Bearing | \$59.00 |
| | 101/210-1-A-HD | Steer Wheel Assembly, Red Ultra Poly On Aluminum Hub W/ Bearings, 20mm ID Bearings | \$55.00 |
| | 101/210-1-A-ST | Steer Wheel Assembly, Poly On Nylon Hub W/ Bearings, 20mm ID Bearings | \$38.00 |
| | 100/210-1-A | Steer Wheel Assembly, Steel W/ Bearings, 20mm ID Bearing | \$59.00 |
| | GWK-ML55-CK | Complete Wheel Kit, Incl. (2) Load Rollers, (2) Steer Wheels W/ Bearings, Axles and Fasteners | \$124.95 |
| 39 | 104 | Steer Wheel Axle, 3/4" Diameter | \$12.00 |
| 40 | 103-1 | Washer | \$0.50 |
| 41 | 104-1 | Steer Wheel Axle, 20mm Diameter | \$12.00 |
| 42 | 302 | Pin | \$5.00 |