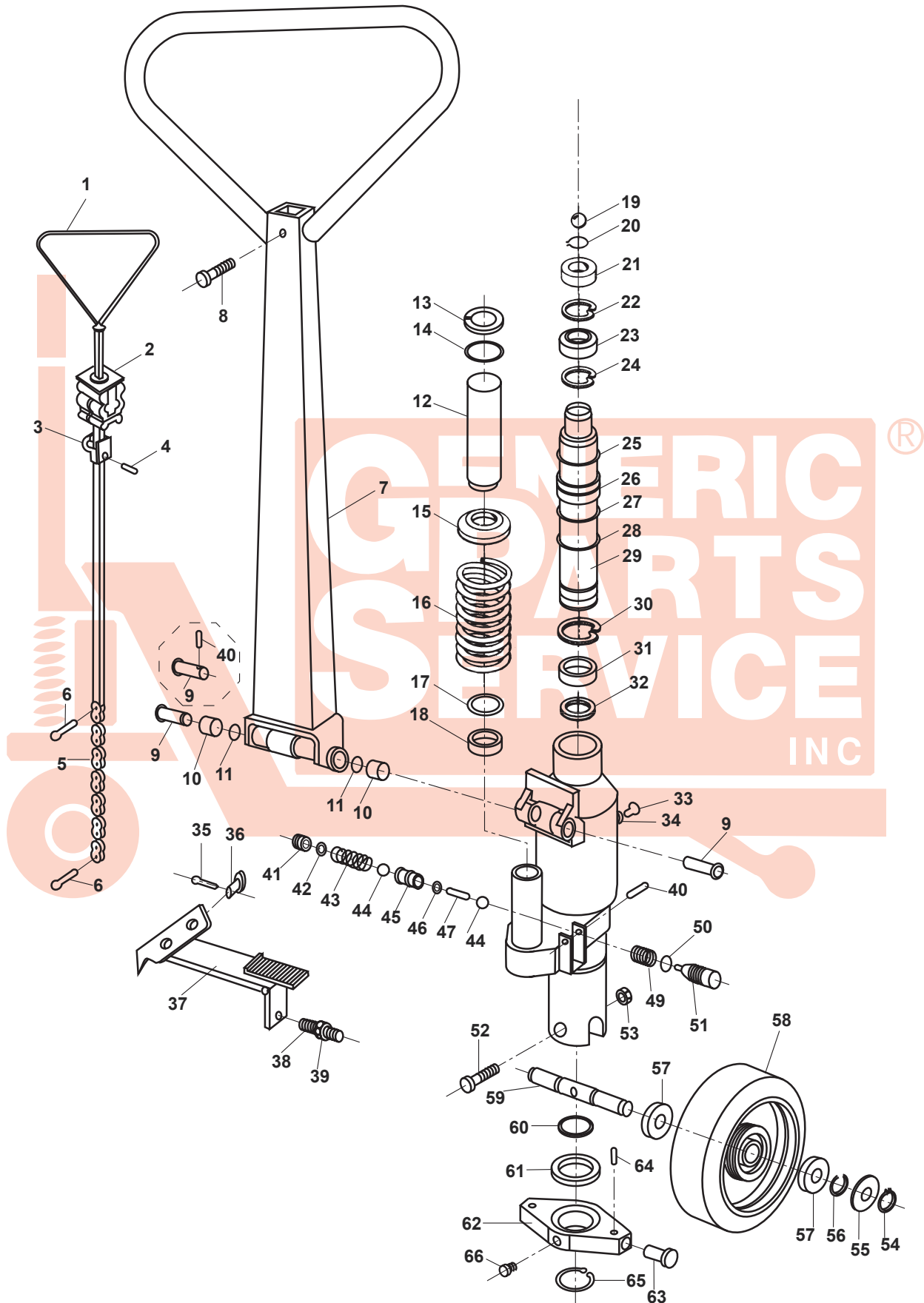


# Mobile MLX55 Hydraulic Unit



# Mobile MLX55 Hydraulic Unit

Item	Part No.	Description	List Price
1	12X3018	Control Rod	\$38.00
2	12X3040	Control Box	\$12.00
3	12X3041	Slide Rest	\$8.00
4	12X3042	Roll Pin	\$0.50
5	12X3017	Chain	\$8.00
6	120X303	Cotter Pin	\$0.50
7	12X3022	Handle Assembly, Complete	\$79.00
8	12X3011	Screw	\$3.00
9	12X2034	Handle Pin (One Each of Old and New Style)	\$6.00
10	120X606	Bushing	\$3.00
11	12X3027	Locking Ring	\$0.50
12	12X3075	Pump Piston	\$42.00
13	12X2050	Locking Ring	\$0.50
14	12X2051	Washer	\$0.50
15	12X2052	Cover	\$12.00
16	12X3021	Spring	\$12.00
17	A 12X3077	Wiper	\$5.00
18	A 12X3076	U-Cup	\$4.00
19	12X1997	Ball	\$2.50
20	12X1998	Locking Ring	\$0.50
21	12X1999	Bearing	\$10.00
22	12X3031	Locking Ring	\$5.00
23	12X2056	Dust Cover	\$12.00
24	12X2047	Locking Ring	\$1.00
25	A 12X1994	Wiper	\$12.00
26	12X2003	Bearing	\$48.00
27	A 12X2004	Seal	\$8.00
28	A 12X2002	Seal	\$6.00
29	12X2000	Lift Piston	*\$99.00
30	12X1995	Locking Ring	\$2.00
31	12X1993	Bushing	\$18.00
32	A 12X2007	U-Cup	\$20.00
33	12X2005	Filler Screw	\$2.00
34	A 12X2006	O-Ring	\$2.00
35	12X3014	Screw	\$1.00
36	12X3016	Connecting Pin	\$5.00
37	12X3015	Foot Control Assembly	*\$33.00
38	12X2026	Adjusting Screw	\$0.50
39	12X2025	Lock Nut	\$0.50
40	12X2038	Roll Pin	\$0.50
41	12X3004	Screw Plug	\$5.00
42	A 12X3003	O-Ring	\$3.00
43	A 12X2023	Spring	\$5.00
44	A 12X2022	Ball Valve	\$2.00

Item	Part No.	Description	List Price
45	12X3000	Valve Cartridge	\$22.00
46	A 12X3001	O-Ring	\$2.00
47	A 12X3002	Pin	\$2.00
49	A 12X2028	Spring	\$2.00
50	A 12X2030	O-Ring	\$3.00
51	12X2029	Control Pin	\$12.00
52	12X2053	Bolt	\$1.00
53	12X2054	Nut	\$0.50
54	12X2050	Locking Ring	\$0.50
55	120X103	Washer	\$0.50
56	120X110	Half Round Locking Ring	\$0.50
57	120X210	Bearing	\$5.00
58	120X105-A-HD	Steer Wheel Assembly, Red Ultra Poly On Aluminum Hub W/ Bearings	\$55.00
	120X105-A-ST	Steer Wheel Assembly, Poly On Nylon W/ Bearings	\$38.00
	GWK-MLX55-CK	Complete Wheel Kit, Incl. (2) Load Rollers, (2) Steer Wheels W/ Bearings, Axles and Fasteners	\$124.95
59	120X104	Steer Wheel Axle	\$12.00
60	12X2011	Spacer	\$5.00
61	120X2010	Thrust Bearing	\$12.00
62	120X657	Thrust Plate	*\$59.00
63	120X605	Pivot Pin	\$6.00
64	120X607	Roll Pin	\$0.50
65	12X2008	Locking Ring	\$1.00
66	120X659	Grease Fitting (Threaded)	\$0.50
KITS	A 12X3025	Seal Kit	\$32.00
	HU MO MLX55	Rebuilt Hydraulic Unit - Exchange	*\$139.00

## Complete Wheel Kit



\*Non-discounting item

Prices subject to change without notice. All manufacturers' names, part numbers and descriptions are used for reference purposes only. We do not imply that any parts are the products of a particular manufacturer. Copyright © 2008 by GPS, Inc. All rights reserved.