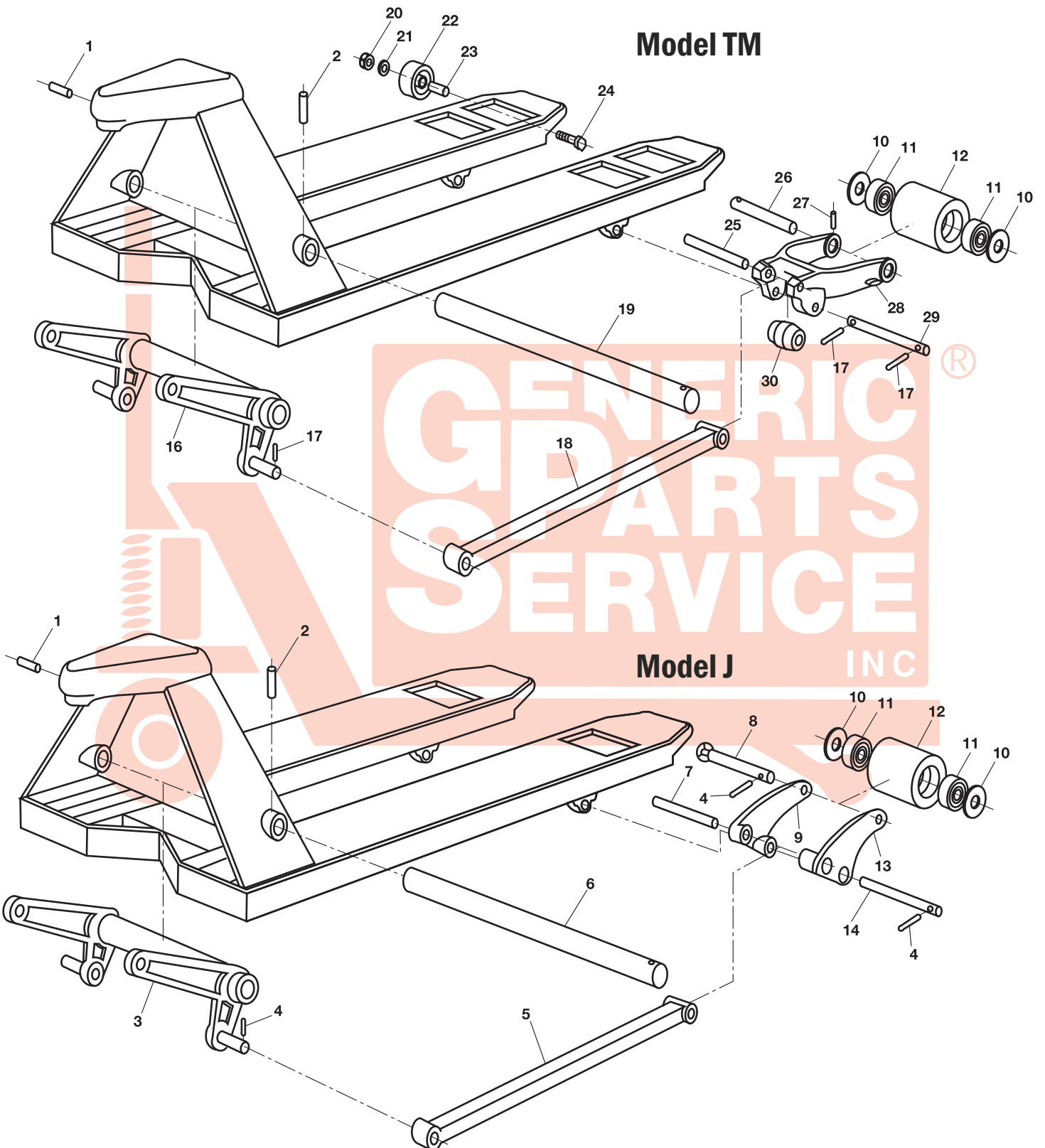


# Multiton TM and J Frame



# Multiton TM and J Frame

Item	Part No.	Description	List Price
1	MU 05750211	Roll Pin	\$0.50
2	MU 05759016	Roll Pin	\$0.50
3	MU 91607-9	Lifting Link, 27" Wide Jack	*\$60.00
4	MU 05750220	Roll Pin	\$0.50
5	MU 91610-9	Push Rod, 48" Forks	\$40.00
6	MU 90150	Lifting Link Shaft, 27" Wide Jack	\$18.00
7	MU 91605	Push Rod Axle	\$10.00
8	MU 91644	Load Roller Axle	\$10.00
9	MU 91626-1	Load Roller Bracket (Left)	\$30.00
10	MU 18968	Washer	\$1.00
11	MU 06450071	Bearing	\$5.00
12	MU 91619-A-D	Load Roller Assembly, Red Ultra Poly On Aluminum Hub W/ Bearings	\$38.00
	MU 91619-A	Load Roller Assembly, Black Ultra Poly On Steel Hub W/ Bearings	\$32.00
	MU 91619-S	Load Roller Assembly, Steel W/ Bearings	\$42.00
	MU 90317-A	Load Roller Assembly, Nylon W/ Bearings	\$30.00
	MU 90332-A	Tandem Load Roller Assembly, Poly On Steel W/ Bearings	\$32.00
	GWK-TM-LW	Load Wheel Kit, Incl. (2) Load Roller Assemblies W/ Bearings, Axles and Fasteners	\$74.95

Item	Part No.	Description	List Price
13	MU 91626-2	Load Roller Bracket (Right)	\$30.00
14	MU 91604	Pivot Axle	\$10.00
16	MU 95212-9	Lifting Link, 27" Wide Jack	\$49.00
17	MU 200013-510	Roll Pin	\$0.50
18	MU 95213	Push Rod, 48" Forks	\$40.00
19	MU 95250-15	Lifting Link Shaft, 27" Wide Jack	\$20.00
20	MU 0535001	Nut	\$0.50
21	MU 0565005	Lock Washer	\$0.50
22	MU 40197	Entry Roller	\$5.00
23	MU 40196	Sleeve	\$5.00
24	MU 0405012	Bolt	\$1.00
25	MU 38688	Push Rod Axle	\$10.00
26	MU 38686	Load Roller Axle	\$10.00
27	MU 05759011	Roll Pin	\$0.50
28	MU 95289	Load Roller Bracket	\$40.00
29	MU 38582	Pivot Axle	\$10.00
30	MU 90350	Exit Roller	\$5.00
	MU 90113-A	Brake Cable Assembly	\$18.00

## Load Wheel Kit



\*Non-discounting item

Prices subject to change without notice. All manufacturers' names, part numbers and descriptions are used for reference purposes only. We do not imply that any parts are the products of a particular manufacturer. Copyright © 2008 by GPS, Inc. All rights reserved.