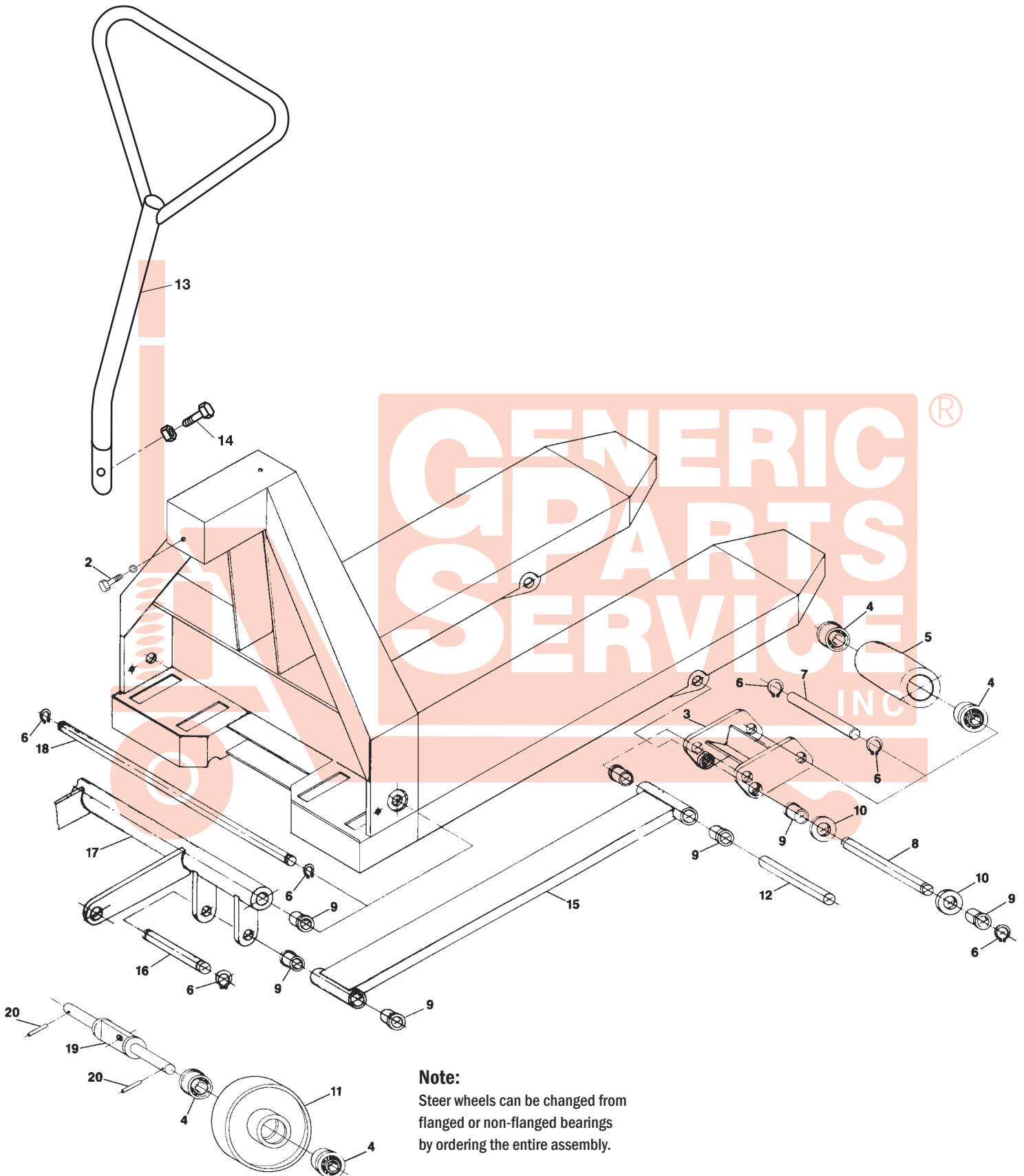


# Palletmaster HSW Frame



# Palletmaster HSW Frame

Item	Part No.	Description	List Price
2	00.30	Screw and Washer	\$1.00
3	01.01	Load Roller Bracket with Bushings	\$49.00
4	01.03	Bearing, Newer Style, No Flange	\$5.00
	01.04	Bearing (Older Style, Flanged)	\$10.00
5	01.05-A-D	Load Roller Assembly, Red Ultra Poly On Aluminum Hub W/ Bearings	\$38.00
	01.05-A	Load Roller Assembly, Black Ultra Poly On Steel Hub W/ Bearings	\$32.00
	01.05-N-A	Load Roller Assembly, Nylon W/ Bearings	\$30.00
	01.05-A-FB	Load Roller Assembly, Red Ultra Poly On Aluminum Hub W/ Bearings (Flanged Bearings)	\$38.00
	01.05-FB	Load Roller Assembly, Black Ultra Poly On Steel Hub W/ Bearings (Flanged Bearings)	\$32.00
6	01.07	Snap Ring	\$1.00
7	01.08	Load Roller Axle	\$7.00
8	01.10	Pivot Axle	\$8.00
9	01.11	Bushing	\$1.00
10	01.12	Washer	\$0.50
11	01.13-A-HD	Steer Wheel Assembly, Red Ultra Poly On Aluminum Hub W/ Bearings	\$55.00
	01.13-A-ST	Steer Wheel Assembly, Poly On Nylon Hub W/ Bearings	\$38.00
	01.13-N-A	Steer Wheel Assembly, Nylon W/ Bearings	\$36.00
	01.13-A-FB-HD	Steer Wheel Assembly, Red Ultra Poly On Aluminum Hub W/ Bearings (Flanged Bearings)	\$55.00

Item	Part No.	Description	List Price
12	01.14	Push Rod Axle	\$8.00
13	01.22	Handle	\$29.00
14	01.23	Handle Bolt and Nut	\$1.00
15	03.00	Push Rod, 48" Forks	\$40.00
16	03.07	Pin	\$5.00
17	04.00	Lifting Link, 27" Wide Jack	Special Order
18	04.04	Lifting Link Shaft, 27" Wide Jack	\$22.00
19	A1	Steer Wheel Axle	\$12.00
20	A11	Roll Pin	\$0.50

**BRAKE PARTS (Below)**

LB-1	Bushing (Brake Part)	\$2.00
LB-2	Mounting Pin (Brake Part)	\$10.00
LB-3	Snap Ring (Brake Part)	\$0.50
LB-4	Threaded Eyebolt Assembly (Brake Part)	\$24.00
LB-5	Locking Lever Mounting Yoke (Brake Part)	\$36.00
LB-6	Locking Lever (Brake Part)	\$32.00
LB-7	Spring (Brake Part)	\$6.00
LB-8	Shoe Assembly (Brake Part)	\$75.00
LB-8-A	Brake Shoe (Brake Part)	\$75.00
LB-8-B	Hinge Bracket (Brake Part)	\$27.00
LB-8-C	Shoe Spring (Brake Part)	\$6.00

