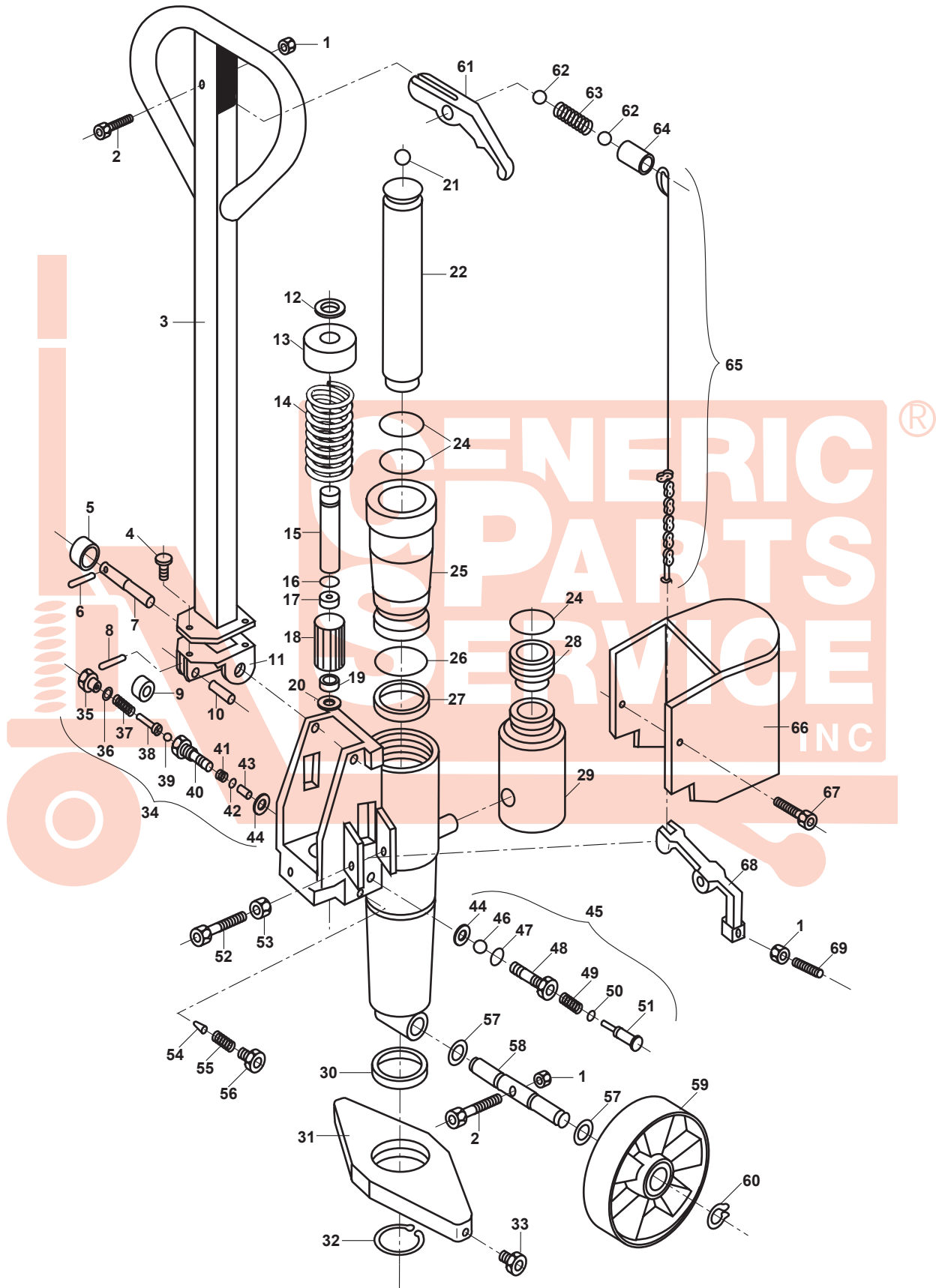


Pramac GS22 Hydraulic Unit



Pramac GS22 Hydraulic Unit

Item	Part No.	Description	List Price
1	G032301	Nut	\$0.50
2	G022006	Screw	\$1.00
3	S0004030243	Handle Assembly	\$49.00
4	G022112	Bolt	\$2.00
5	S0004018002	Bushing	\$5.00
6	G044309	Roll Pin	\$0.50
7	S0004013008	Pin	\$10.00
8	G044307	Roll Pin	\$0.50
9	S0004013001	Roller	\$10.00
10	S0004013002	Pin	\$5.00
11	004011012	Handle Bracket	\$35.00
12	G042501	Snap Ring	\$1.00
13	G09007	Spring Cap	\$12.00
14	G001142	Spring	\$12.00
15	S0014015003	Pump Piston	*\$34.00
16	A G095006	O-Ring	See Kits
17	A G098304	Seal	See Kits
18	S0014015002	Cylinder	Special Order
19	S0014018002	Nylon Bushing	\$5.00
20	G096006	Washer	\$5.00
21	G016103	Ball	\$2.00
22	S0004013007	Piston	*\$39.00
24	A G095005	O-Ring	\$3.00
25	P0004010467	Top Nut/Cylinder	*\$49.00
26	A G095004	O-Ring	See Kits
27	A G098201	Seal	See Kits
28	S0004018001	Reservoir Cap	\$10.00
29	S0004018003	Oil Reservoir	\$40.00
30	G010220	Traverse Bearing	\$12.00
31	S0014011030	Traverse	\$49.00
32	G042160	Snap Ring	\$2.00
33	S0004015007	Shoulder Bolt	\$5.00
35	C S0004015014	Cap/Plug	See Kits
36	C G096102	Washer	See Kits
37	C G001101	Spring	See Kits
38	C S0004015013	Ball Guide	See Kits
39	C G016116	Ball	See Kits
40	C S0004015012	Valve	See Kits
41	C G001113	Spring	See Kits

Item	Part No.	Description	List Price
42	A,C G095003	O-Ring	See Kits
43	C G016202	Pin	See Kits
44	A,C G096201	Washer	See Kits
46	B G016104	Ball	\$2.00
47	B G095003	O-Ring	See Kits
48	B S0004015010	Valve Seat	See Kits
49	B G001102	Spring	See Kits
50	A,B G095002	O-Ring	See Kits
51	B S0004015011	Valve Plunger	See Kits
52	G022220	Bolt	\$1.00
53	G034401	Nut	\$0.50
54	S0004015008	Cone	\$7.00
55	G001104	Spring	\$5.00
56	G022501	Screw	\$5.00
57	G091101	Washer	\$1.00
58	S0004015015	Steer Wheel Axle	\$12.00
59	S0014010028-HD	Steer Wheel Assembly, Red Ultra Poly On Aluminum Hub W/ Bearings	\$55.00
	S0014010028-ST	Steer Wheel Assembly, Poly On Nylon Hub W/ Bearings	\$38.00
	S000401066	Steer Wheel Assembly, Nylon W/ Bearings	\$36.00
60	G042120	Snap Ring	\$0.50
61	S0004018006	Control Lever	\$8.00
62	G016104	Ball	\$2.00
63	G001126	Spring	\$1.25
64	S0004036022	Control Lever Bushing	\$2.00
65	S0004010235	Control Rod and Linkage	\$28.00
66	S0004018005	Reservoir Guard	\$12.00
67	S0004018003-S	Screw	\$0.50
68	G01403	Pump Lever	\$12.00
69	G023102	Screw	\$2.00
KITS	A G090001	Seal Kit	\$55.00
KITS	B S0004010035	Relief Valve Kit	\$39.00
KITS	C S0004010036	Valve Kit	\$32.00
	HU PC GS 22	Rebuilt Hydraulic Unit - Exchange	*\$139.