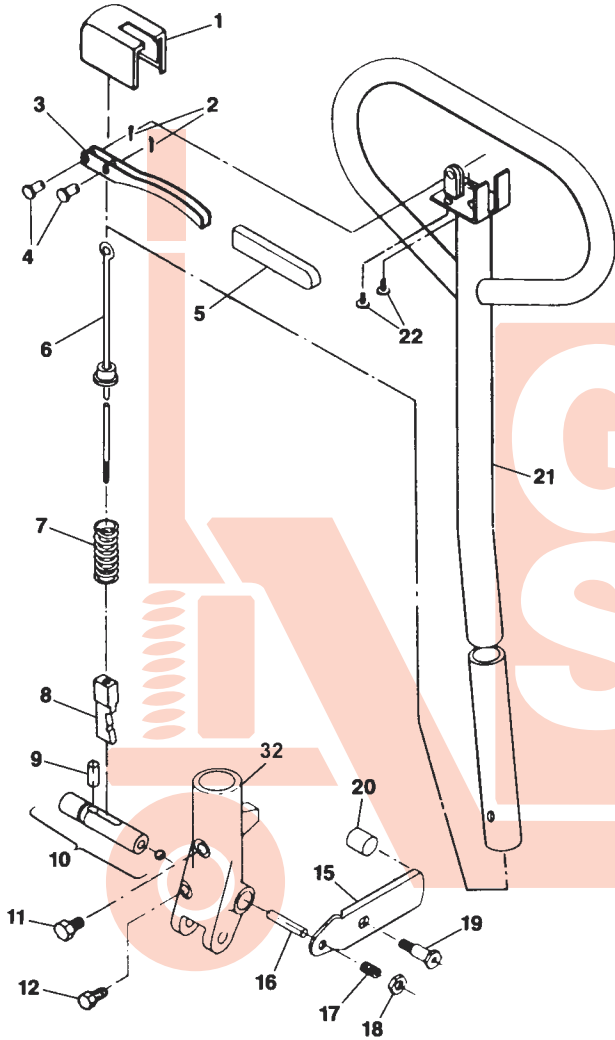
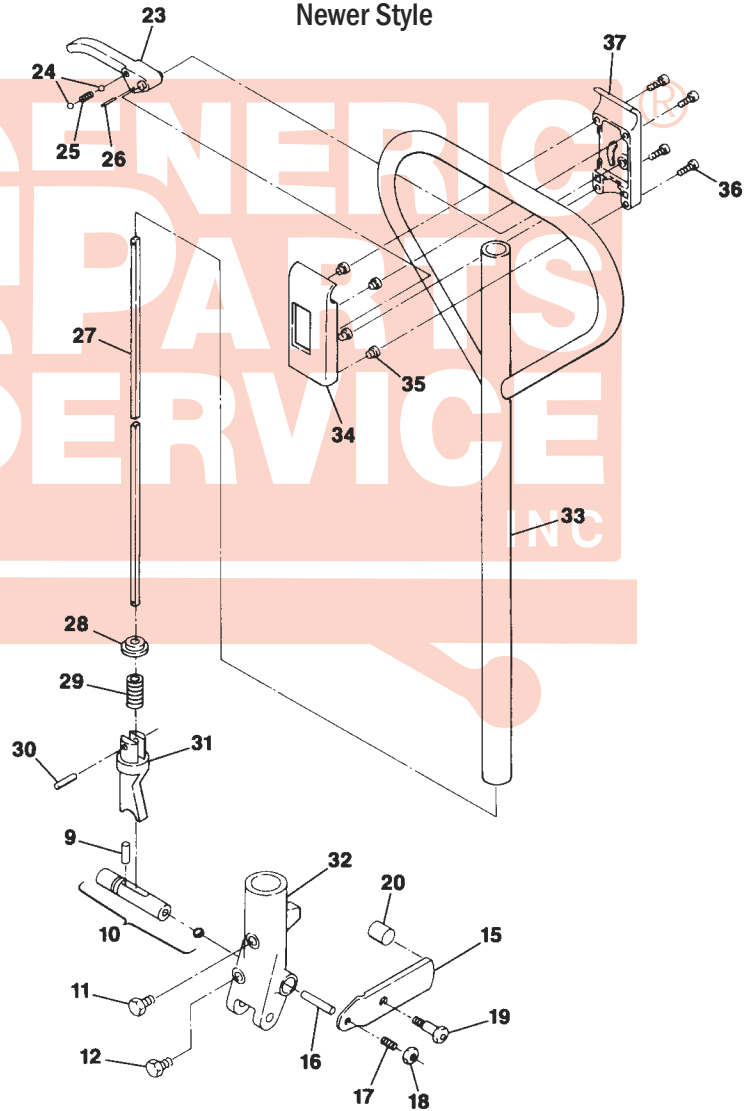


Rol-Lift Series T and E Hand Control Handle

Older Style



Newer Style



Rol-Lift Series T and E Hand Control Handle

Item	Part No.	Description	List Price
1	Not Available	Plastic Cover	Not Available
2	3-25500	Cotter Pin	\$0.50
3	Not Available	Control Lever	Not Available
4	3-60000	Pin	\$1.00
5	Not Available	Control Lever Grip	Not Available
6	7-00008	Control Rod	\$15.00
7	3-20001	Spring	\$4.00
8	3-27003	Actuator	\$18.00
9	3-27010	Pivot Shaft	\$5.00
10	3-27163-S	Pivot Shaft Assembly, 3/4" ID	\$16.00
11	3-02000-03	Handle Bolt	\$2.00
12	3-04501-07	Set Screw	\$1.00
15	7-30048	Fulcrum Bar	Not Available
16	Not Available	Glide Pin (No Longer Sold Separately, Use Item 10)	Not Available
17	3-08006-04	Adjusting Screw	\$1.00
18	3-50064	Nut	\$1.00
19	3-00087-04	Bolt	\$2.00
20	4-00078	Pin	\$5.00
21	Not Available	Handle Assembly (See Item 33)	Not Available
22	3-09998	Screw	\$1.00

Item	Part No.	Description	List Price
23	3-27133	Control Lever	\$14.00
24	3-30000	Ball	\$1.00
25	3-20017	Spring	\$2.00
26	3-25750-07	Roll Pin	\$0.50
27	3-27166	Control Rod	\$20.00
28	3-27134	Spring Retainer	\$3.00
29	3-20016	Spring	\$3.00
30	3-25750-05	Roll Pin	\$0.50
31	3-27138	Actuator	\$18.00
32	4-60082	Handle Socket (Hand Control Models)	*49.00
	4-60072	Handle Socket (Foot Control Models)	\$82.00
33	7-60016	Handle Frame (See RL KIT-5072-TPTUM)	Not Available
	8-60017	Handle Assembly (See RL KIT-5072-TPTUM)	Not Available
	KIT-5072-TPTUM	Handle Assembly (Incl. Items 9-12 & 23-33)	Not Available
34	3-27132	Front Cover	Not Available
35	3-51001	Spacer	Not Available
36	3-00006-04	Screw	\$0.50
37	3-27131	Back Cover	Not Available