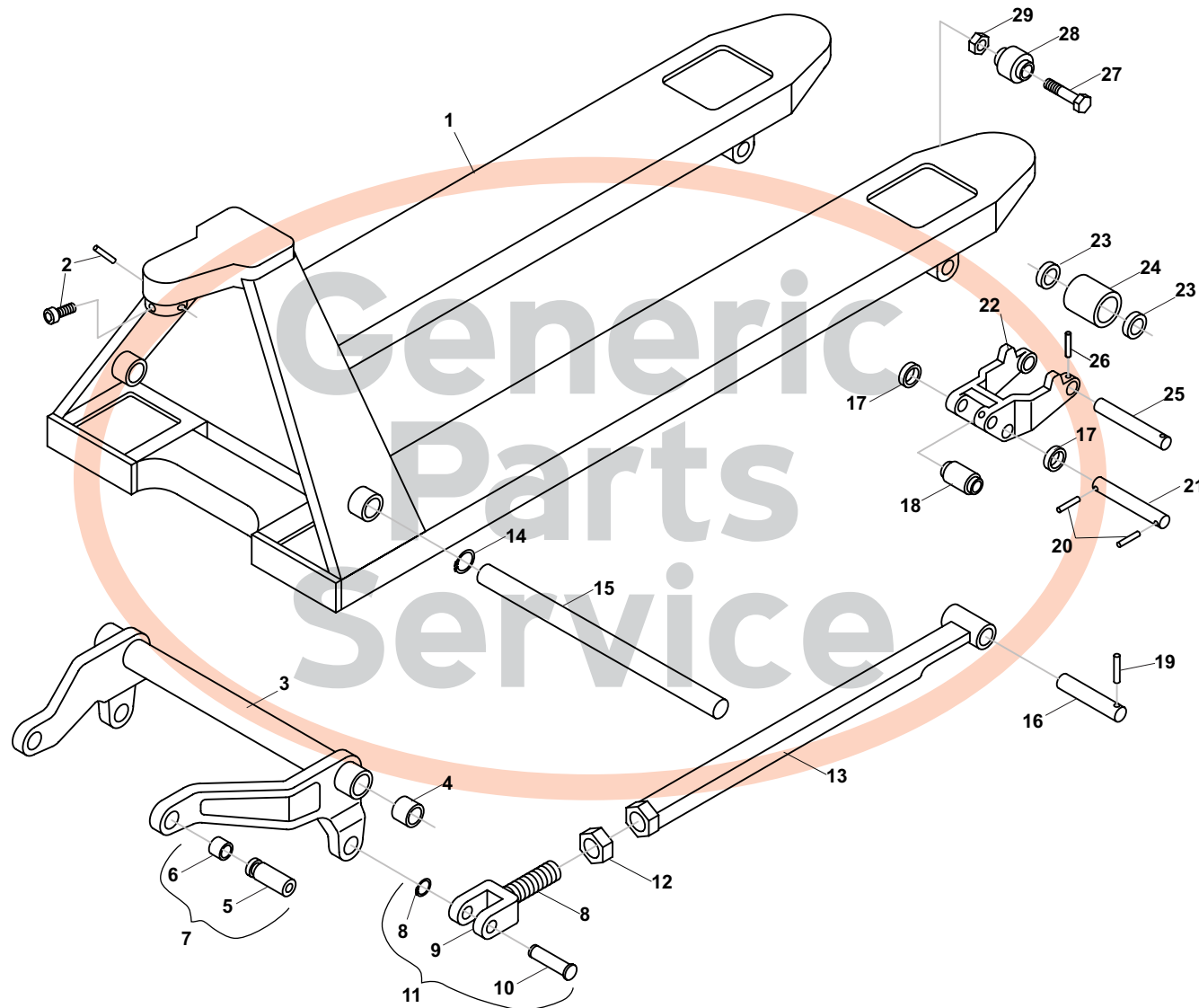


Wesco CPI Frame

(Model Numbers: 272655, 272656, 272657, 272658, 272659, 272660)



Wesco CPI Frame

(Model Numbers: 272655, 272656, 272657, 272658, 272659, 272660)

Item	Part No.	Description
1	A201	Fork Frame
2	A202A	Roll Pin
	Z69995	Socket Head Bolt (option)
3	270010	Lifting Link, 27" Fork Width
	272694	Lifting Link, 21" Fork Width
4	A204	Bushing
5	A205	Bell Crank Pin
6	A206	Bushing
7	270011	Shaft Kit (Includes Item 6)
8	A208	Snap Ring
9	A209	Joint
10	A210	Pin
11	270012	Joint Kit (Includes Items 8 - 10)
12	270318	Nut
13	270438	Push Rod, Fork Length 36"
	270436	Push Rod, Fork Length 42"
	270013	Push Rod, Fork Length 48"
14	270014	Retaining Ring
15	270015	Shaft, Lifting Link
16	270019	Shaft Push Rod

Item	Part No.	Description
17	270020	Exit Roller, Intermediate
18	270022	Exit Roller
19	270023	Roll Pin
20	270024	Roll Pin
21	270026	Pivot Axle
22	270027	Load Wheel Bracket
23	272325	Bearing
24	272662	Load Wheel Assembly, Black Ultra Poly on Steel Hub W/ Bearings
	272662-D	Load Wheel Assembly, Red Ultra Poly on Aluminum Hub W/ Bearings
	272662-N	Load Wheel Assembly, Nylon W/ Bearings
	272662-S	Load Wheel Assembly, Solid Steel W/ Bearings
	GWK-CPI-LW	Load Wheel Kit, (2) Black Ultra-Poly Load Roller Assemblies (70D) W/ Bearings, Axles and Fasteners
25	270030	Load Wheel Axle
26	270031	Roll Pin
27	272331	Bolt
28	272327	Entry Roller
29	272326	Lock Nut

Load Wheel Kit

