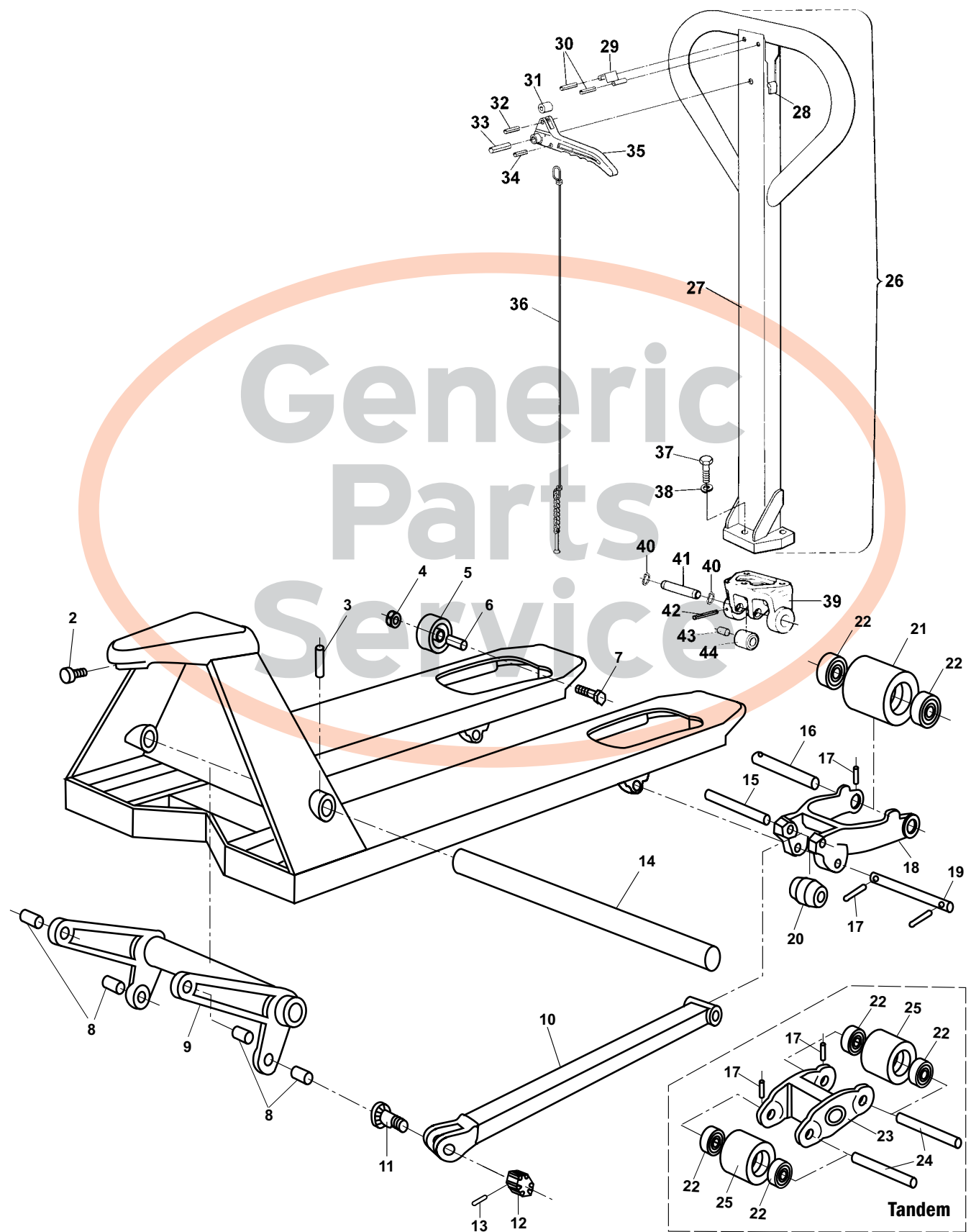


Global 334475 Frame



Global 334475 Frame

Item	Part No.	Description
2	F103	Screw
3	F1502	Roll Pin
4	F106	Nut
5	F108	Entry Roller
6	F109	Sleeve
7	F111	Bolt
8	F102	Bushing
9	F1501	Lifting Link Assembly, 27" wide frame
10	F1518	Push Rod, 48" fork
11	F126	Eccentric Pin
12	F123	Nut
13	F124	Spring Pin
14	F1503	Lifting Link Shaft, 27" wide frame
15	F1516	Shaft
16	F1515	Load Wheel Axle
17	F112	Spring Pin
18	F1514	Load Wheel Bracket
19	F1512	Pivot Axle
21	F1511B	Load Roller Assembly (Single) Black Ultra Poly on Steel
22	F115	Bearing
23	F1507	Load Wheel Bracket (Tandem)

Item	Part No.	Description
24	F1505	Axle Bolt Assembly, Includes Sleeve & Lock Nut
25	F1510B	Load Roller Assembly (Tandem) Black Ultra Poly on Steel
26	H101-A	Handle Assembly
27	H101	Handle Frame
28	H108	Rubber Cushion
29	H103	Blade Spring
30	H104	Spring Pin
31	H111	Roller
32	H105	Spring Pin
33	H102	Spring Pin
34	H112	Spring Pin
35	H106	Control Lever
36	H107	Rod and Chain Assembly
37	H109	Handle Bolt
38	H110	Lock Washer
39	H103	Handle Bracket
40	H108	Snap Ring
41	107	Shaft
42	106	Spring Pin
43	105	Bushing
44	104	Steel Roller