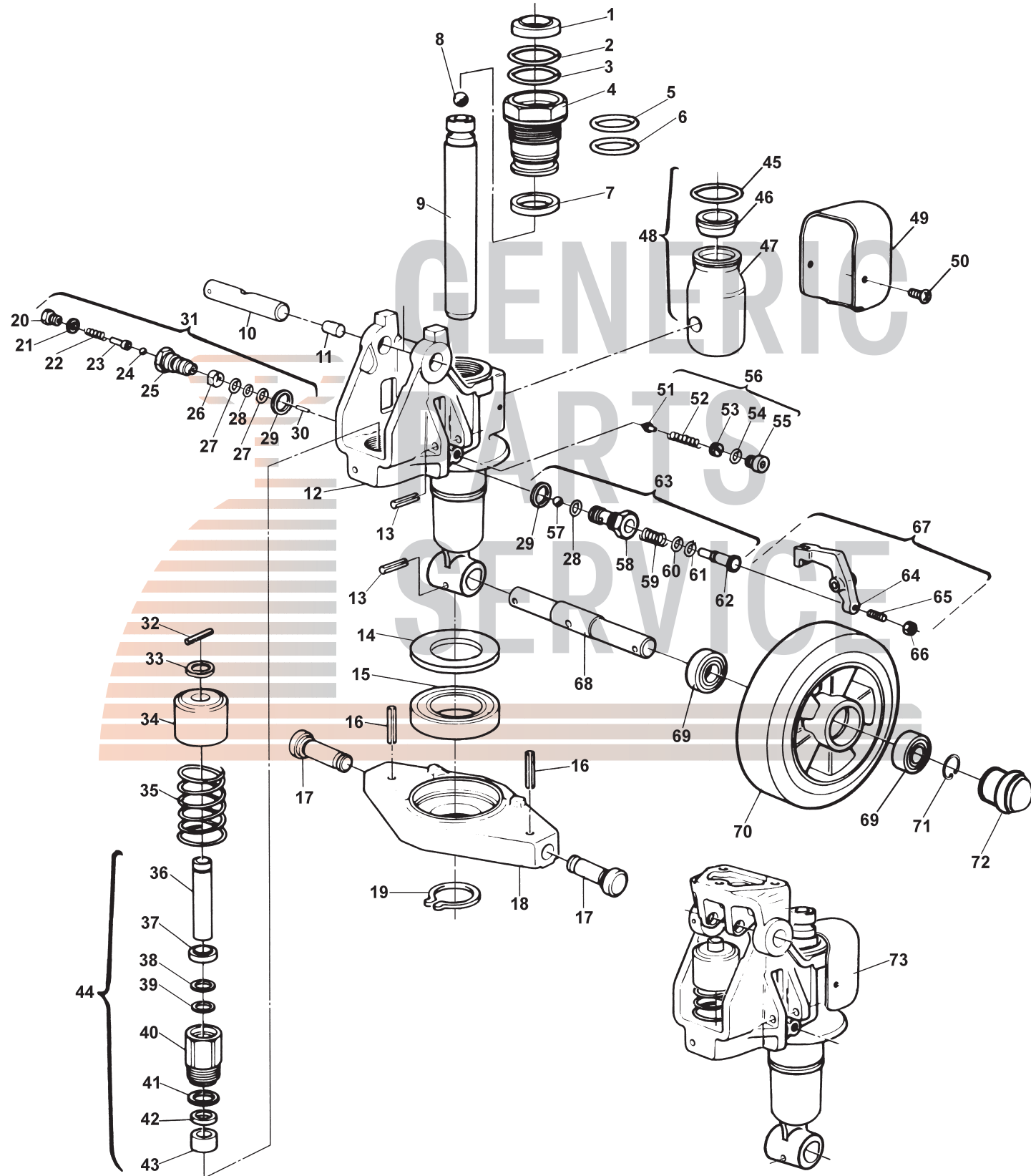


Hu-Lift HP25L Hydraulic Unit



Hu-Lift HP25L Hydraulic Unit

Item	Part No.	Description
1	A 156	Scraper
2	170	Retainer
3	A 157	O-Ring
4	159H	Top Nut
5	A 157-1	O-Ring
6	A 158H	O-Ring
7	A 160H	U-Cup
8	101	Ball
9	102	Ram
10	109	Handle Pin
11	120	Bushing
12	122H	Pump Body
13	121	Roll Pin
14	123	Dust Cover
15	124	Thrust Bearing
16	154	Roll Pin
17	155	Shoulder Pin
18	153	Traverse
	153-A	Traverse Assembly (Includes Item 15)
19	152	Snap Ring
20	110	Screw Plug
21	A 111	Washer
22	112	Spring
23	113	Spring Guide
24	114	Ball
25	115	Valve Body
26	116	Spring
27	166	Retainer
28	A 117	O-Ring
29	A 118	Washer
30	119	Valve Pin
31	115-A	Valve Assembly
32	142	Roll Pin
33	143	Retaining Cover
34	144	Spring Cap
	144-A	Spring Cap Assembly (Includes Items 32-34)
35	145	Spring
36	146	Piston
37	A 147	Scraper
38	A 168	Retainer
39	A 169	O-Ring
40	148	Pump Cylinder
41	A 151	Washer
42	A 149	U-Cup

Item	Part No.	Description
43	150	Nylon Bushing
44	146-A	Pump Piston Assembly (Includes Items 36-43)
45	A 161H	O-Ring
46	162H	Filler Plug
47	165H	Reservoir
48	165H-A	Reservoir Assembly (Includes Items 45,46,47 & Pint of Oil)
49	163H	Cowling
	163H-A	Cowling Assembly (Includes Items 49 & 50)
50	164H	Screw
51	134	Valve
52	135	Spring
53	136	Adjusting Screw
54	A 137	O-Ring
55	138	Screw
56	138-A	Safety Valve Assembly (Includes Items 51-55)
57	129	Ball
58	130	Release Valve Body
59	131	Spring
60	A 132	O-Ring
61	167	Retainer
62	133	Release Pin
63	130-A	Plunger Assembly (Includes Items 28, 29; &57-62)
64	139H	Release Lever
65	140H	Adjusting Screw
66	141	Nut
67	139H-A	Activator (Includes Items 64 - 66)
68	125	Steer Wheel Axle
69	126	Bearing
70	127-A-HD	Steer Wheel Assembly, Ultra-Poly On Aluminum Hub W/ Bearings
	127-A-ST	Steer Wheel Assembly, Poly On Nylon Hub W/ Bearings
	127-A-N	Steer Wheel Assembly, Nylon W/ Bearings
71	128	Snap Ring
72	171	Dust Cover
73	100-AM	Hydraulic Unit, New After-Market Replacement
	HU HL100	Rebuilt Hydraulic Unit - Exchange
KITS	A 99	Seal Kit