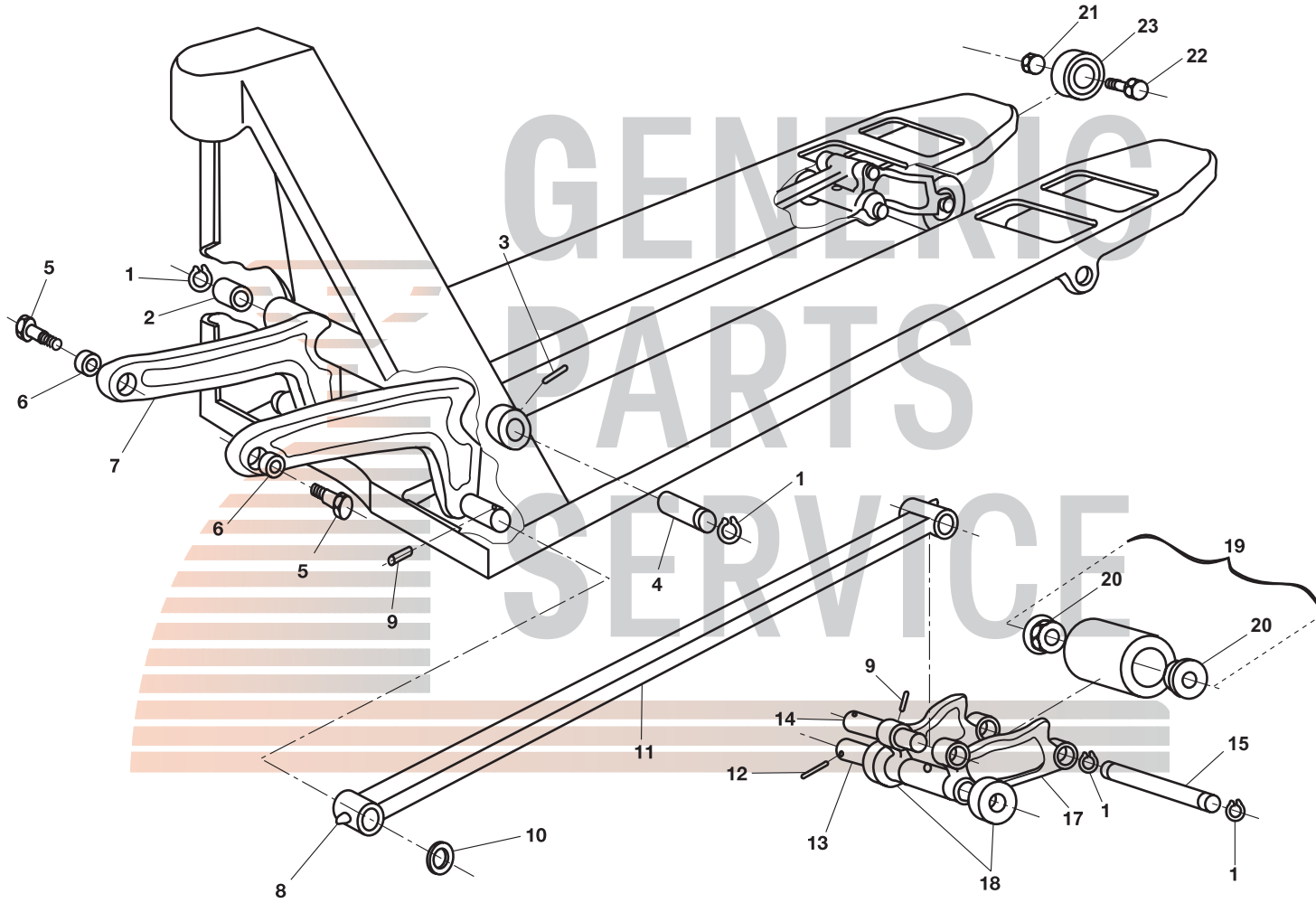


# Interthor K77 and K85 Frame



# Interthor K77 and K85 Frame

Item	Part No.	Description
1	435.0015	Snap Ring
2	524.5040	Bushing
3	427.0440	Roll Pin
4	140.5153	Lifting Link Pins (Pair), 27" Wide Jack
5	140.5229	Shoulder Bolt
6	524.0014	Bushing
7	130.5156	Lifting Link, 27" Wide Jack
8	640.0002	Grease Fitting (Threaded)
9	427.0102	Roll Pin
10	140.5098	Washer
11	130.5086-D	Push Rod, 48" Forks
12	427.6127	Roll Pin
13	140.5095	Pivot Axle

Item	Part No.	Description
14	140.5099	Push Rod Axle
15	140.5094	Load Roller Axle
17	130.5068	Load Roller Bracket
18	140.5101	Exit Roller
19	140.5234-A	Load Roller Assembly, Black Ultra-Poly On Steel Hub W/ Bearings
	140.5233-A	Load Roller Assembly, Nylon W/ Bearings
	140.5235-A	Load Roller Assembly, Steel W/ Bearings
20	520.0001	Bearing
21	410.0004	Nut
22	300.0039	Bolt
23	140.5172	Entry Roller