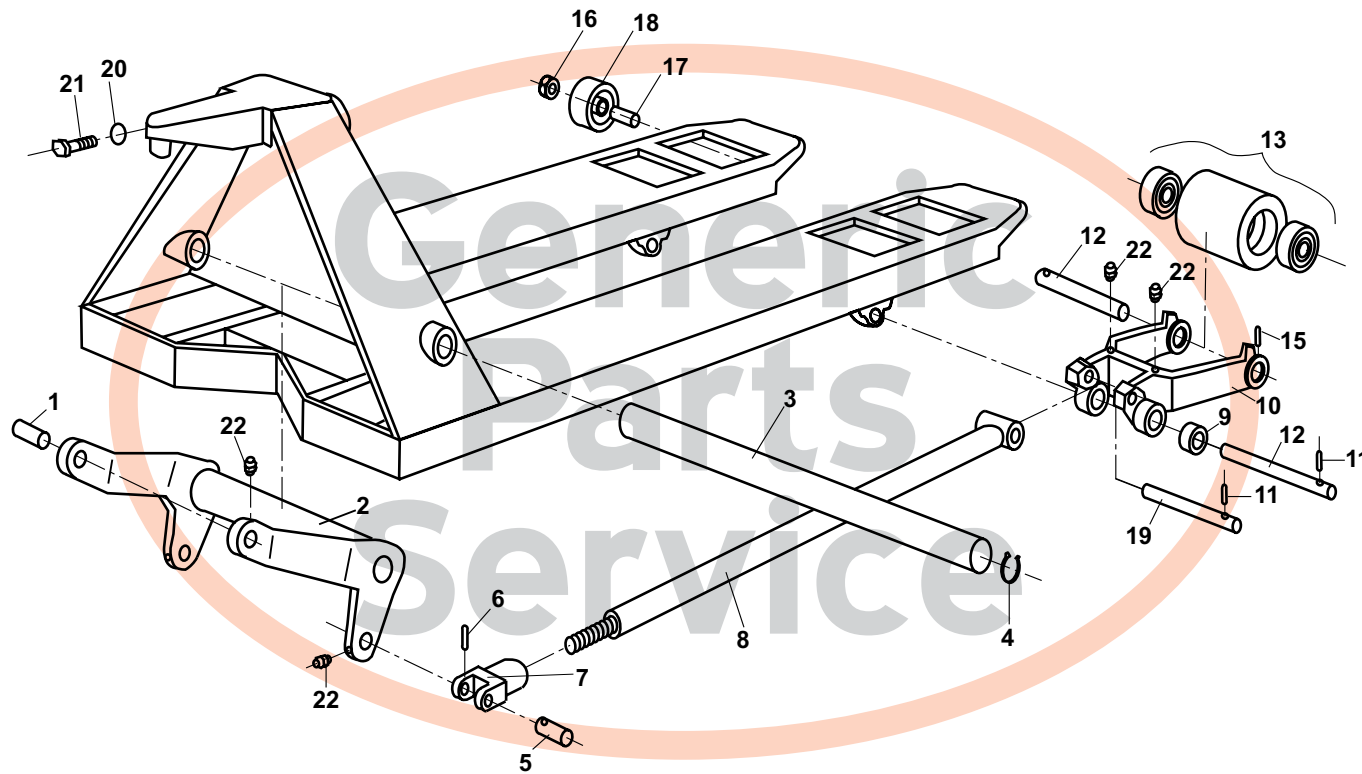


Jet PTW Series Frame



Jet PTW Series Frame

Item	Part No.	Description
1	PT2036-3-11	Pin
2	PT2036-3-17	Lift Arm, 20.5" Frame
	BF2736-3-17	Lift Arm, 27" Frame
3	PT2036-3-18	Long Shaft 20.5" Frames
	BF2736-3-18	Long Shaft 27" Frames
4	PT2036-3-19	Snap Ring
5	PT2036-3-21	Pin
6	PT2036-3-22	Roll Pin
7	PT2036-3-23	Joint
8	PT2036-3-24	Push Rod 36" Forks
	PT2042-3-24	Push Rod 42" Forks
	PT2048-3-24	Push Rod 48" Forks
9	PT2036-3-25	Bushing
10	PT2036-3-26	Load Wheel Bracket
11	PT2036-3-27	Roll Pin
12	PT2036-3-28	Pivot Axle

Item	Part No.	Description
13	PT2036-3-29-A	Load Roller Assembly, Black Ultra-Poly on Steel Hub W/Bearings
	PT2036-3-29-D	Load Roller Assembly, Red Ultra-Poly on Aluminum Hub W/Bearings
	PT2036-3-29-N	Load Roller Assembly, Solid Nylon W/Bearings
	PT2036-3-29-S	Load Roller Assembly, Solid Steel W/Bearings
	GWK-JETPTW-LW	Load Wheel Kit, (2) Black Ultra-Poly (70D), Load Roller Assemblies, W/ Bearings, Axles & Fasteners
14	PT2036-3-30	Load Wheel Axle
15	PT2036-3-31	Roll Pin
16	PT2036-3-32	Snap Ring
17	PT2036-3-33	Entry Roller Shaft
18	PT2036-3-34	Entry Roller
19	PT2036-3-35	Shaft
20	PT2036-3-37	Lock Washer
21	PT2036-3-38	Set Screw
22	PT2036-3-16	Grease Fitting

Load Wheel Kit

