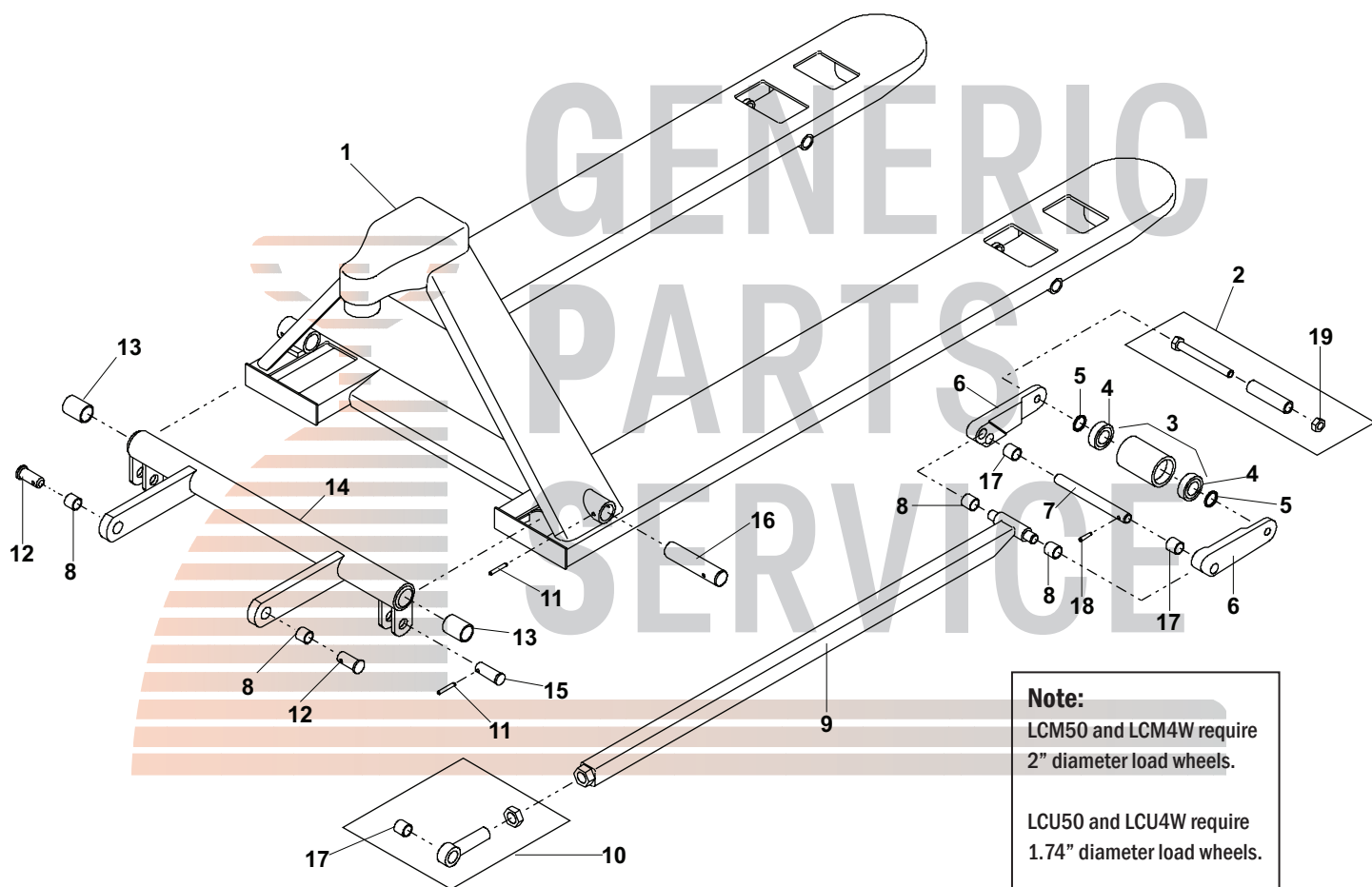


Lift-Rite LCM50, LCU50, LCM4W & LCU4W Frame

Titan Series



Note:
LCM50 and LCM4W require 2" diameter load wheels.

LCU50 and LCU4W require 1.74" diameter load wheels.

Lift-Rite LCM50, LCU50, LCM4W & LCU4W Frame

Titan Series

Item	Part No.	Description
1	PM30200	Chassis, LCM50 2" Low Profile
	PM30200U	Chassis, LCU50 1.75" Ultra Low Profile
	PF30200	Chassis LCM4W 2" Low Profile
	PF30200U	Chassis LCU4W 1.75" Ultra Low Profile
2	PM10215	Axle Assembly
3	PM10210U-B	Load Wheel Assembly, Steel 1.75" Diameter W/ Bearings (LCU50, LCU4W)
	PM10210U-P	Load Wheel Assembly, Ultra-Poly on Steel Hub 1.75" Diameter W/ Bearings (LCU50, LCU4W)
	GWK-LCU-LW	Load Wheel Kit, (2) Steel Load Rollers (1.75" Diameter) Bearings W/ Axles and Fasteners
	GWK-LCUP-LW	Load Wheel Kit, (2) Black Ultra-Poly Load Rollers (1.75" Diameter, 70D) W/ Bearings, Axles and Fasteners
	PM10210S-B	Load Wheel Assembly, Steel 2" Diameter W/ Bearings (LCM50, LCM4W)
	PM10210P-B	Load Wheel Assembly, Ultra-Poly on Steel Hub 2" Diameter W/ Bearings (LCM50, LCM4W)
	GWK-LCM-LW	Load Wheel Kit, (2) Steel Load Rollers (2" Diameter) W/ Bearings, Axles and Fasteners
	GWK-LCMP-LW	Load Wheel Kit, (2) Black Ultra-Poly Load Rollers (2" Diameter, 70D) W/ Bearings, Axles and Fasteners
4	PM10214S	Bearing

Item	Part No.	Description
5	PL10216	Spacer Washer
6	PM30212	Load Roller Bracket Assembly (LCM50 & LCM4W)
	PM30212U	Load Roller Bracket Assembly (LCU50 & LCU4W)
7	PM10219	Pin
8	PL20206	Bushing
9	PM20224X-36	Push Rod, LCM50 & LCM4W, 36" Forks
	PM20224X-42	Push Rod, LCM50 & LCM4W, 42" Forks
	PM20224X-48	Push Rod, LCM50 & LCM4W, 48" Forks
	PM20224X-36U	Push Rod, LCU50 & LCU4W, 36" Forks
	PM20224X-42U	Push Rod, LCU50 & LCU4W, 42" Forks
	PM20224X-48U	Push Rod, LCU50 & LCU4W, 48" Forks
10	PL20226	Eye Bolt
11	PL20269	Split Pin
12	PL30207	Shoulder Pin
13	PL20203A	Bushing
14	PM30201	Lifting Link (LCM50 & LCU50, 20.5" Wide Jack)
	PM30202	Lifting Link (LCM50 & LCU50, 27" Wide Jack)
	PF30203	Lifting Link (LCM4W & LCU4W, 33" Wide Jack)
15	PL20227	Shoulder Pin
16	PL20204	Bulkhead Pin
17	PL20226A	Bushing
18	PM20269	Split Pin
19	PL10218	Lock Nut

Load Wheel Kit



Load Wheel Kit

