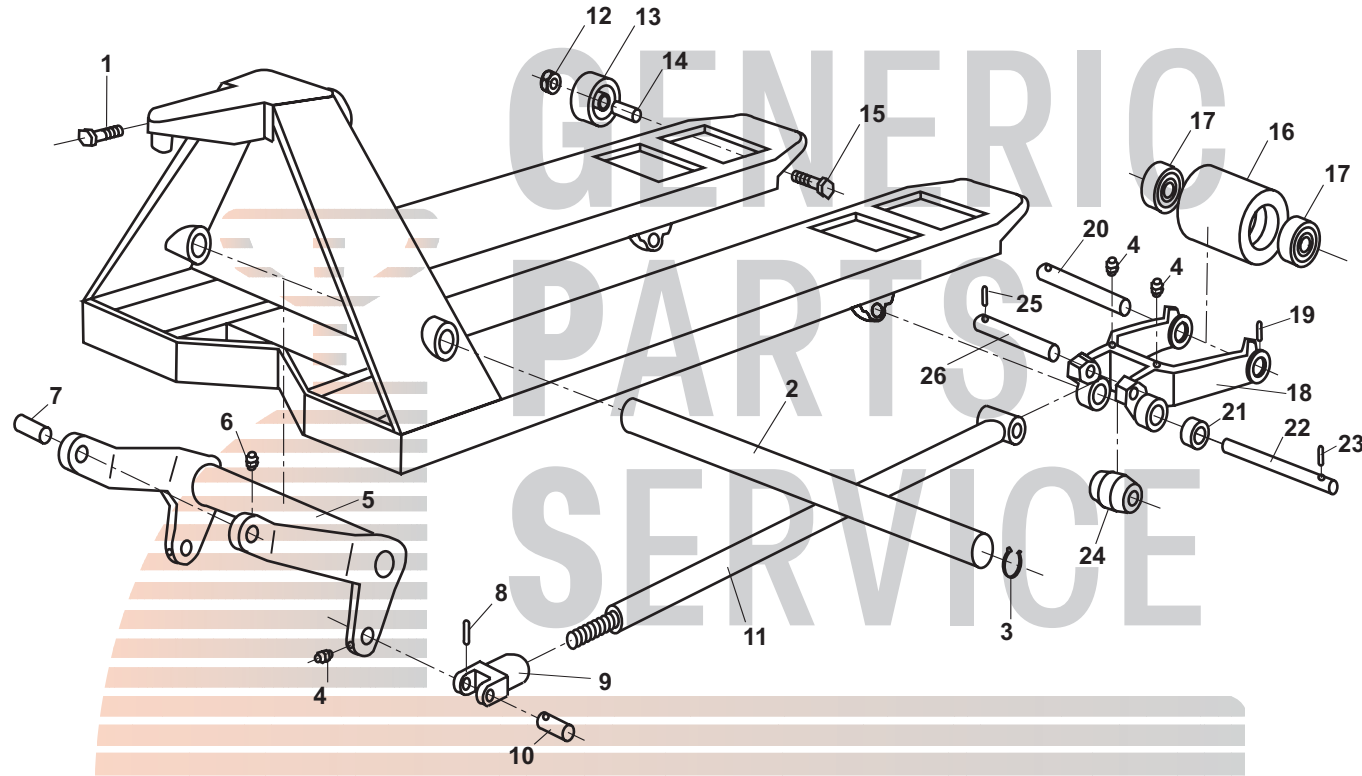


Mobile ECO I-55 Frame

Note:
 Mighty Lift Load Wheel 3.75" Wide.
 Mobile ECO I-55 Load Wheel 3.5" Wide



Mobile ECO I-55 Frame

Item	Part No.	Description
1	120E42	Bulkhead Bolt
2	120E20	Bell Crank Shaft
3	120E21	Locking Ring
4	120E15	Grease Fitting (Threaded)
5	120E43	Lifting Link, 27" Wide Jack
6	120E22	Lube Fitting
7	120E14	Shoulder Pin
8	120E16	Roll Pin
9	120E17	Clevis
10	120E18	Clevis Pin
11	120E19	Push Rod, 48" Forks
12	120E39	Nut
13	120E38	Entry Roller
14	120E37	Sleeve
15	120E36	Bolt, Entry Roller

Item	Part No.	Description
16	120E35-A-D	Load Roller Assembly, Red Ultra-Poly On Aluminum Hub W/ Bearings
	120E35-A	Load Roller Assembly, Black Ultra-Poly On Steel Hub W/ Bearings
	120E35N-A	Load Roller Assembly, Nylon W/ Bearings
	120E35S-A	Load Roller Assembly, Steel W/ Bearings
	GWK-ECO-LW	Load Wheel Kit, (2) Black Ultra-Poly (70D), Load Roller Assemblies, W/ Bearings, Axles & Fasteners
17	120E9	Bearing
18	120E31	Load Roller Bracket
19	120E30	Roll Pin
20	120E29	Load Roller Axle
21	120E28	Rear Guide Roller
22	120E26	Hanger Axle
23	120E27	Roll Pin
24	120E23	Exit Roller
25	120E24	Roll Pin
26	120E25	Push Rod Axle

Load Wheel Kit

