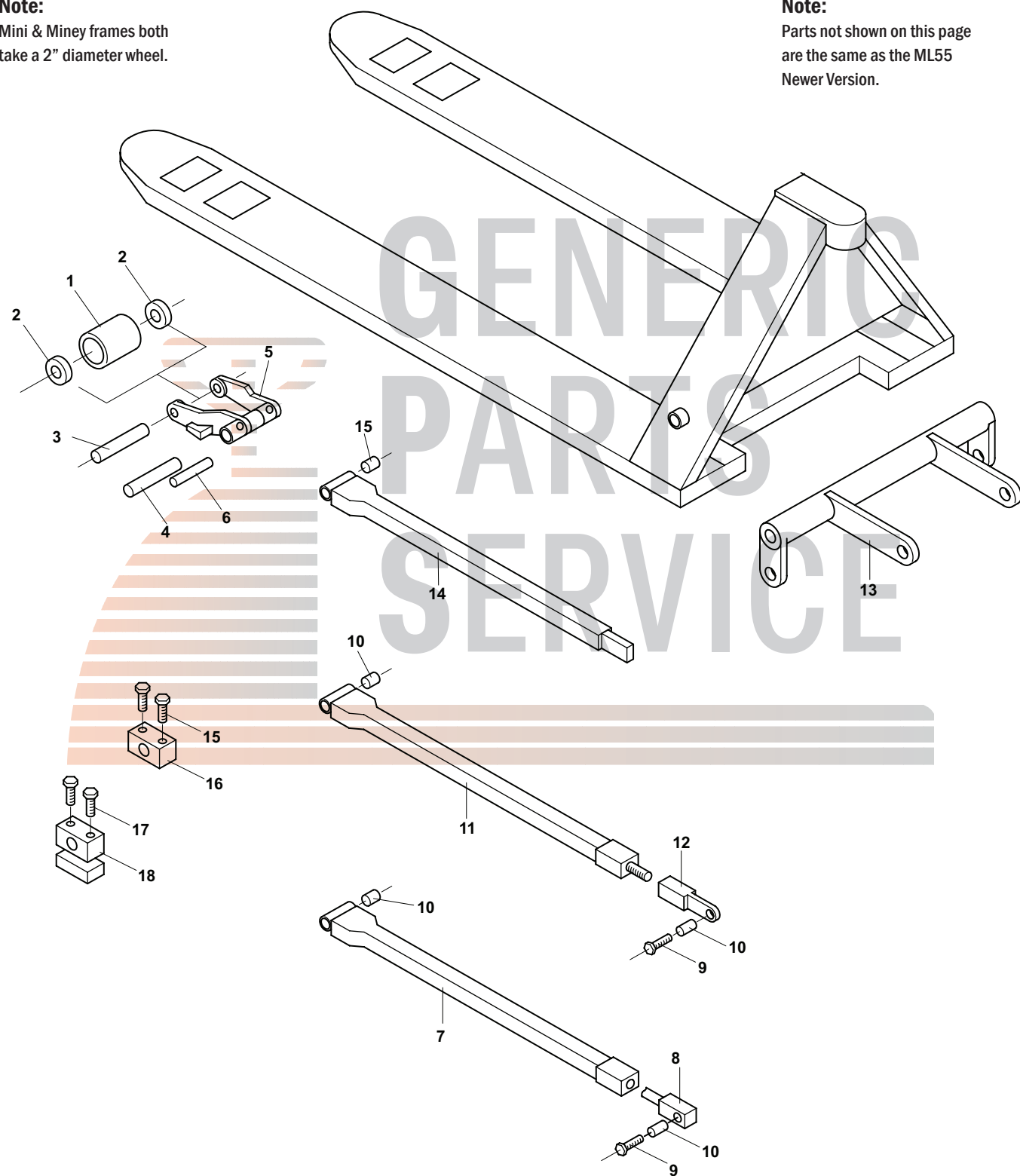


Mobile ML45 Mini & Miney Frame

Note:
 Mini & Miney frames both take a 2" diameter wheel.

Note:
 Parts not shown on this page are the same as the ML55 Newer Version.



Mobile ML45 Mini & Miney Frame

Item	Part No.	Description
1	M200-S-A	Load Roller Assembly, Steel W/Bearings
	203M-A	Load Roller Assembly, Black Ultra-Poly On Steel Hub W/ Bearings
2	M210	Bearing
3	M211	Axle
4	M214	Pivot Axle
5	M400	Load Wheel Bracket
6	M515	Pin
7	M500-1	MK2 Push Rod, 36" Forks
	M501-1	MK2 Push Rod, 42" Forks
	M502-1	MK2 Push Rod, 48" Forks
8	M520	Clevis
9	M605	Pin
10	M606	Bushing

Item	Part No.	Description
11	M500-2	MK3 Push Rod, 36" Forks
	M501-2	MK3 Push Rod, 42" Forks
	M502-2	MK3 Push Rod, 48" Forks
12	M521	Clevis
13	M650	Lifting Link, 20.5" Wide Jack
	M651	Lifting Link, 27" Wide Jack
	M652	Lifting Link, 32" Wide Jack
14	M500	Push Rod, 36" Forks
	M501	Push Rod, 42" Forks
	M502	Push Rod, 48" Forks
15	M551	Screw
16	M551-1	Pillar Block
17	M550	Screw
18	M550-1	Pillar Block