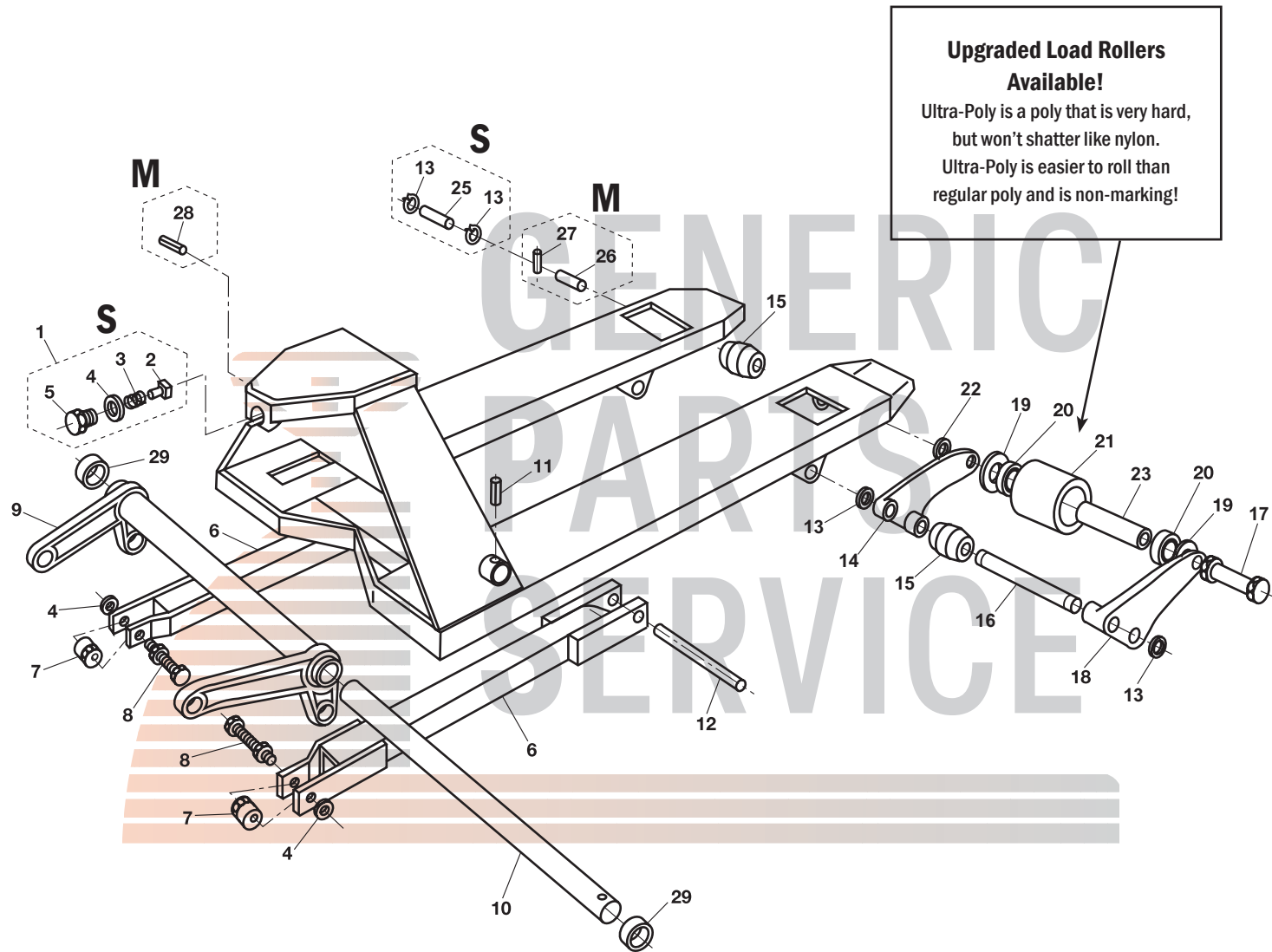


Multiton M and S Frame



Upgraded Load Rollers Available!
Ultra-Poly is a poly that is very hard, but won't shatter like nylon. Ultra-Poly is easier to roll than regular poly and is non-marking!

Key differences:

Frame -

Model M hydraulic unit is attached to the frame with a roll pin. Model S uses a bolt and locking stud.

Entry Rollers -

Model M uses roll pins to attach the entry rollers. Model S uses snap rings.

Multiton M and S Frame

Item	Part No.	Description
1	23126-A	Locking Stud Assembly
2	23126	Locking Stud
3	20440	Spring
4	0560002	Lock Washer
5	23125	Bolt
6	20208-9	Push Rod, 48" Forks
7	20204	Eccentric
8	190070	Bolt and Nut
9	20639-20	Lifting Link, 20" Wide Jack
	20639-27	Lifting Link, 27" Wide Jack
10	90150	Lifting Link Shaft, 27" Wide Jack
11	05759016	Roll Pin
12	19991	Push Rod Axle
13	06259059	Snap Ring
14	20163-11	Load Roller Bracket (Left)
15	90350	Entry Roller
16	19994	Pivot Axle
17	190076	Axle Bolt and Lock Nut
18	20163-12	Load Roller Bracket (Right)
19	18968	Washer

Item	Part No.	Description
20	06450071	Bearing
21	325-P-D	Load Roller Assembly, Red Ultra-Poly On Aluminum Hub W/ Sleeve, Bearings and Washers
	325-P	Load Roller Assembly, Black Ultra-Poly On Steel Hub W/ Sleeve, Bearings and Washers
	90320	Load Roller Assembly, Nylon W/ Sleeve, Bearings and Washers
	325-S	Load Roller Assembly, Steel W/ Sleeve, Bearings and Washers
	325-TP	Tandem Load Roller Assembly, Poly On Steel W/ Bearings
22	0560002	Lock Washer
23	41118	Sleeve (Single)
	20724	Sleeve (Tandem)
25	20260	Pin
26	25172	Pin
27	192117	Roll Pin
28	05750211	Roll Pin
29	90152-11	Bushing

Should a Push Rod for 48" Forks be 48" long?

No, a push rod averages 10 inches shorter than the length of the fork. For example with item 6 above, the Multiton 20208-9 push rod for 48" forks is actually about 38" long.