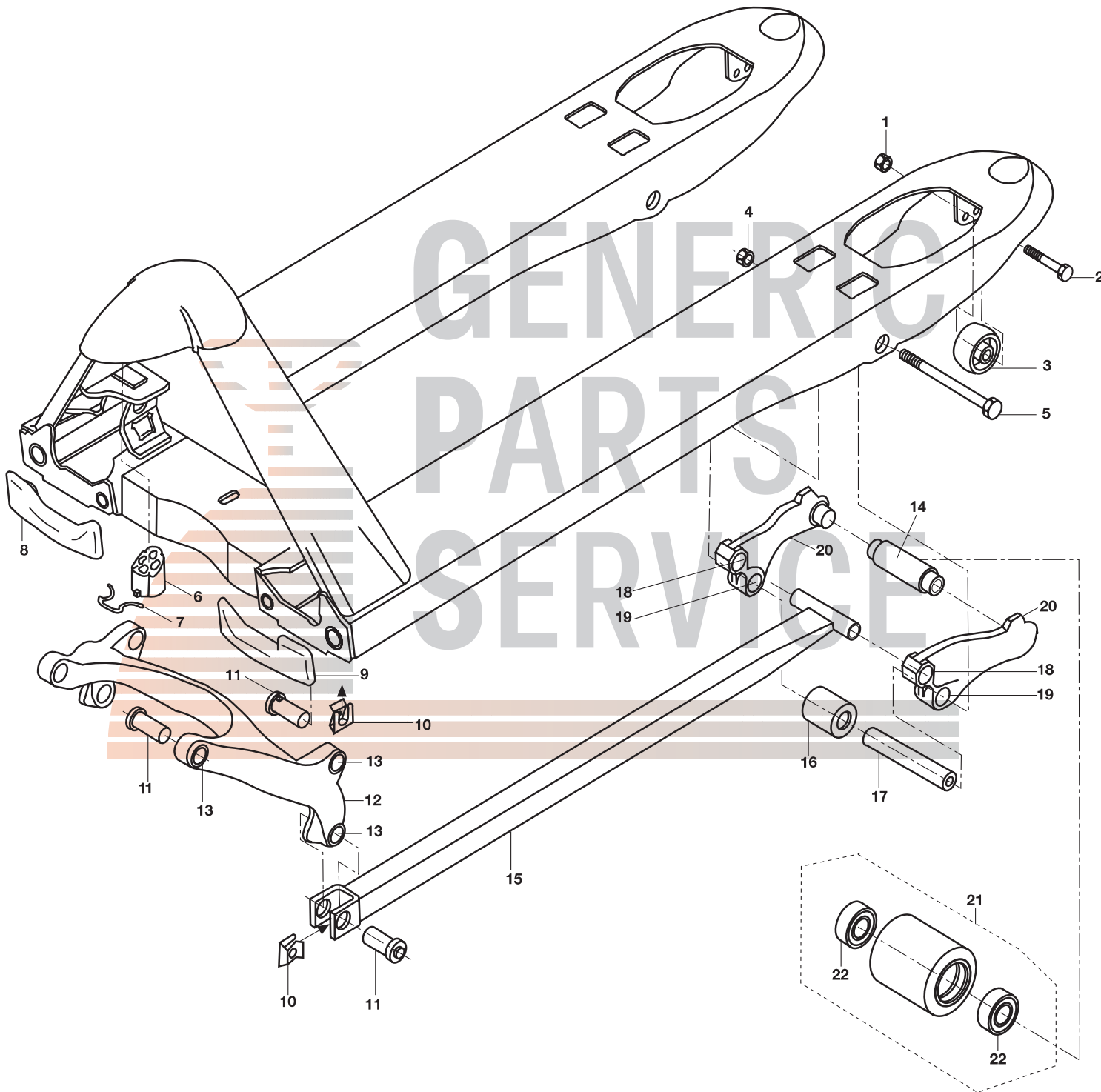


Multiton TM 55 Frame



Multiton TM 55 Frame

Item	Part No.	Description
1	200067160	Lock Nut
2	080590000	Hex Head Screw
3	090000000	Entry Roller
4	080211000	Hex Head Nut
5	200178430	Exit Roller Bolt
6	090125002	Head Insert for Ram
7	090126000	Head Insert Clip
8	090227012	Bumper Plate Left, Red
	090227002	Bumper Plate Left, Grey
9	090227011	Bumper Plate Right, Red
	090227001	Bumper Plate Right, Grey
10	090129000	Clip
11	090128000	Shoulder Pin
12	090160002	Lifting Link, 27" Wide Jack
13	200004400	Bushing
14	090154001	Load Roller Axle

Item	Part No.	Description
15	090147008	Push Rod, 36" Forks
	090147011	Push Rod, 46" Forks
	090147012	Push Rod, 48" Forks
16	090156000	Exit Roller
17	090155000	Exit Roller Axle
18	200178270	Bushing, Load Roller Bracket
19	200178260	Bushing, Load Roller Bracket
20	090151021	Load Roller Bracket Assembly (Includes 18 & 19)
21	090153008	Load Roller Assembly, Black Ultra-Poly On Steel Hub W/ Bearings and Axle
	090153007	Load Roller Assembly, Nylon W/ Bearings and Axle
	090153009	Load Roller Assembly, Steel W/ Bearings and Axle
	GWK-TM55-LW	Load Wheel Kit, (2) Black Ultra-Poly (70D), Load Roller Assemblies, W/ Bearings and Axles
22	200178810	Bearing

Load Wheel Kit (Includes Item 14)

