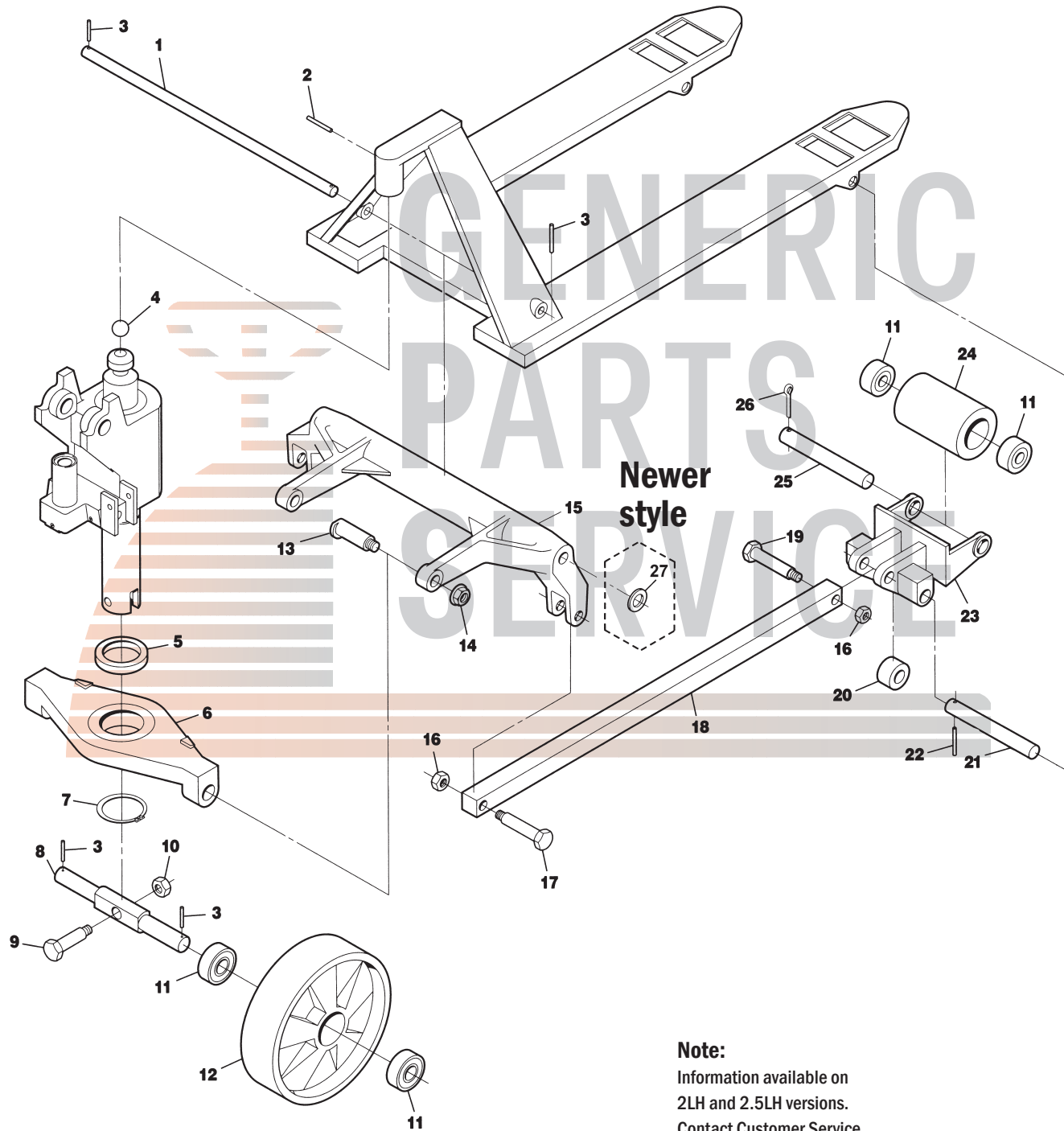


Pallet Mule AA5000 and AA5500 Frame



Note:
Information available on
2LH and 2.5LH versions.
Contact Customer Service
for a parts breakdown.

Pallet Mule AA5000 and AA5500 Frame

Item	Part No.	Description
1	AA-55-7	Lifting Link Shaft, 27" Wide Jack
2	AA-57	Roll Pin
3	AA-50	Roll Pin
4	AA-44	Ball
5	AA-30	Thrust Bearing
6	AA-61	Traverse
7	AA-28	Snap Ring
8	AA-46	Steer Wheel Axle
9	AA-29	Shoulder Bolt
10	AA-29N	Lock Nut
11	AA-64	Bearing
12	AA-8x2 PMWB-HD	Steer Wheel Assembly, Red Ultra-Poly On Aluminum Hub W/ Bearings
	AA-8x2 SMWB	Steer Wheel Assembly, Steel W/ Bearings
	AA-7.25x2 PMWB-HD	Steer Wheel Assembly, Red Ultra-Poly On Aluminum Hub W/ Bearings
	AA-7.25x2 PMWB-ST	Steer Wheel Assembly, Poly on Nylon Hub W/ Bearings
	AA-7.25x2	Steer Wheel Assembly, Nylon W/ Bearings
	GWK-PUAA-CK	Complete Wheel Kit, (2) Ultra-Poly Load Roller Assemblies (70D), (2) Poly Steer Wheel Assemblies, W/ Bearings, Axles & Fasteners
13	AA-36	Shoulder Bolt
14	AA-39	Nut
15	AA-53-7	Lifting Link, 27" Wide Jack

Item	Part No.	Description
16	AA-51	Lock Nut
17	AA-60	Bolt
18	AA-58-36	Push Rod, 36" Forks
	AA-58-42	Push Rod, 42" Forks
	AA-58-48	Push Rod, 48" Forks
	AA-58-2.9	Push Rod, 48" Forks, 2.9" Lowered Height
19	AA-74	Bolt
20	AA-52	Exit Roller
	AA-52-2.9	Exit Roller, 2.9" Lowered Height
21	AA-62	Pivot Axle
	AA-62-2.9	Pivot Axle, 2.9" Lowered Height
22	AA-63	Roll Pin
23	AA-59	Load Roller Bracket
	AA-59-2.9	Load Roller Bracket, 2.9" Lowered Height
24	AA-3x4 PMWB	Load Roller Assembly, Black Ultra-Poly On Steel Hub W/ Bearings
	AA-3x4 SMWB	Load Roller Assembly, Steel W/ Bearings
	AA-2.875x4 PMWB	Load Roller Assembly, Black Ultra-Poly On Steel Hub W/ Bearings, 2.9" Lowered Height
	AA-2.875x4 PMWB-N	Load Roller Assembly, Nylon W/ Bearings
	GWK-PUAA-LW	Load Wheel Kit, (2) Black Ultra-Poly (70D), Load Roller Assemblies, W/ Bearings, Axles & Fasteners
25	AA-66	Load Roller Axle
26	AA-67	Cotter Pin
27	AA-3/4	Washer

Load Wheel Kit

