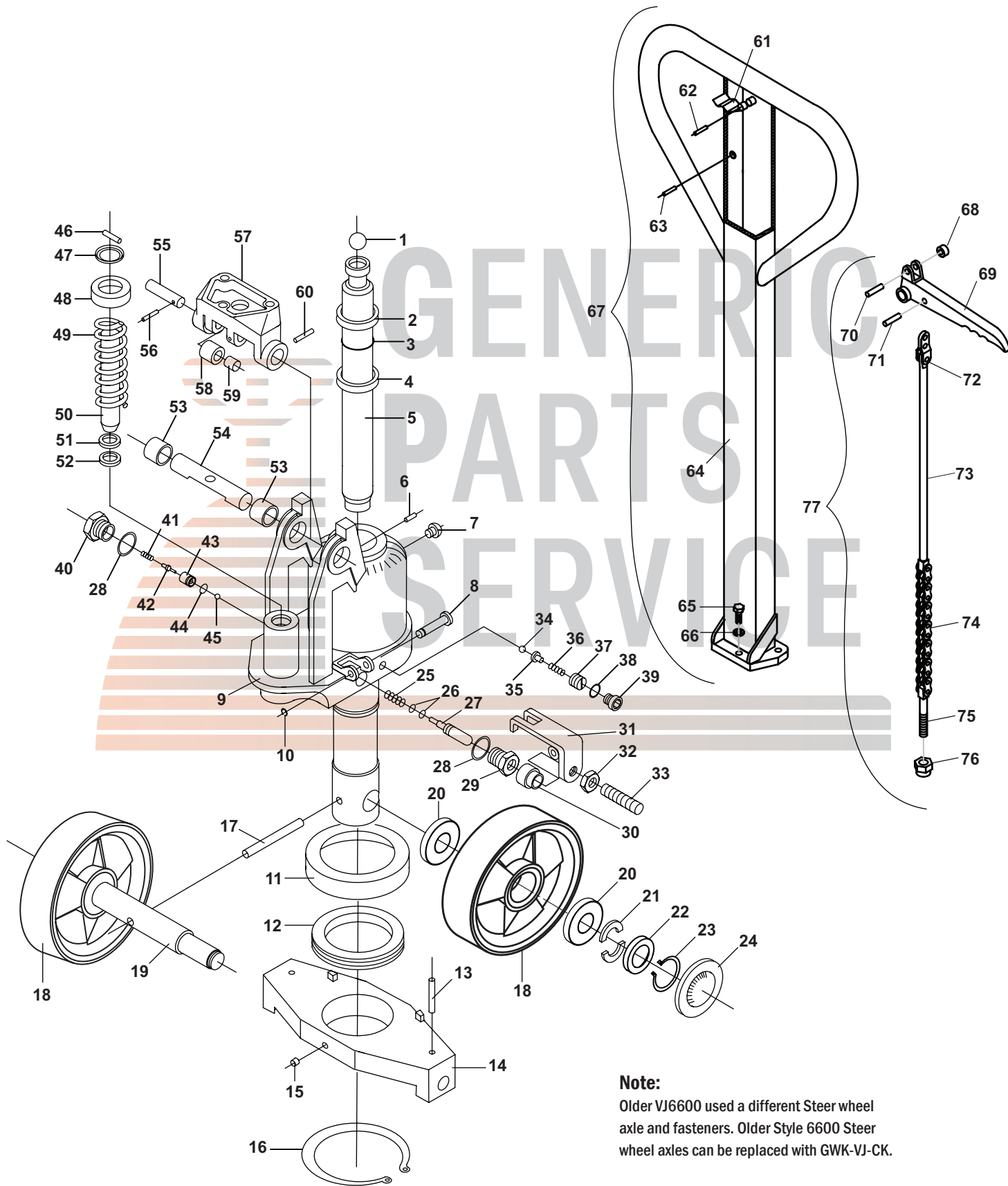


Valu-Jack 5500 & 6600 Hydraulic Unit



Note:
 Older VJ6600 used a different Steer wheel axle and fasteners. Older Style 6600 Steer wheel axles can be replaced with GWK-VJ-CK.

Valu-Jack 5500 & 6600 Hydraulic Unit

Item	Part No.	Description	Item	Part No.	Description
1	66146	Ball	35	6644	Ball Base
2	A 66148	Scraper	36	6645	Spring
3	A 66143	O-Ring	37	6646	Plug
4	A 66144	U-Cup	38	6619	O-Ring
5	66147	Ram	39	6620	Plug
6	66157	Roll Pin	40	66106	Plug
7	A 66149	Oil Plug	41	66108	Spring
8	66145	Shaft	42	66109	Valve Cone
9	66156	Pump Body	43	66110	Valve
10	66114	Retaining Ring	44	A 66111	O-Ring
11	66121	Bearing Cover	45	66112	Valve
12	66122	Thrust Bearing	46	669	Roll Pin
13	66123	Roll Pin	47	668	Pin Retainer
14	66118	Traverse	48	667	Spring Cap
15	66119	Grease Fitting (Threaded)	49	66103	Handle Return Spring
16	66120	Snap Ring	50	665	Pump Piston
17	66115	Roll Pin	51	A 664	Scraper
18	66216-HD	Steer Wheel Assembly, Red Ultra-Poly On Aluminum Hub W/ Bearings	52	A 662	U-Cup
	66216-ST	Steer Wheel Assembly, Black Poly On Nylon Hub W/ Bearings	53	6621	Bushing
	66216-S	Steer Wheel Assembly, Steel W/ Bearings	54	6622	Shaft
	66216-N	Steer Wheel Assembly, Nylon	55	6626	Handle Pin
	GWK-VJ-CK	Complete Wheel Kit, (2) Ultra-Poly Load Roller Assemblies (70D), (2) Poly Steer Wheel Assemblies, W/ Bearings, Axles & Fasteners	56	6625	Roll Pin
19	66117	Steer Wheel Axle (older style)	57	6627	Handle Bracket
	66117A	Steer Wheel Axle	58	66152	Pressure Roller
20	66128	Bearing	59	6623	Bushing
21	66126	Tab Washer (Older Style)	60	6628	Roll Pin
	66126A	Split Ring	61	66602	Blade Spring
22	66125	Round Nut (Older Style)	62	66604	Roll Pin
	66125A	Retaining Washer	63	66606	Roll Pin
23	66127	Retaining Ring	64	66631	Handle Frame
24	66124	Hub Cap	65	66632	Bolt
25	66129	Spring	66	66633	Lock Washer
26	A 66130	O-Ring	67	66616	Handle Assembly, Includes Items 61-64, 67-76
27	66131	Release Pin	68	66603	Roller
28	A 66107	O-Ring	69	66608	Control Lever
29	66136	Release Pin Guide	70	66605	Roll Pin
30	A 66137	Rubber Cushion	71	66607	Roll Pin
31	66132	Release Lever	72	66613	Pin
32	66134	Lock Nut	73	66609	Pull Rod
33	66133	Adjustment Screw	74	66612	Chain
34	6643	Steel Ball	75	66614	Connecting Screw
			76	66615	Nut
			77	66609-A	Control Rod Assembly, Includes Items 68-76
			KITS A	66150	Seal Kit
				66156A	Pump Assembly - New